

L-934VGC-E GREEN

L-934MGC MEGA GREEN

Features

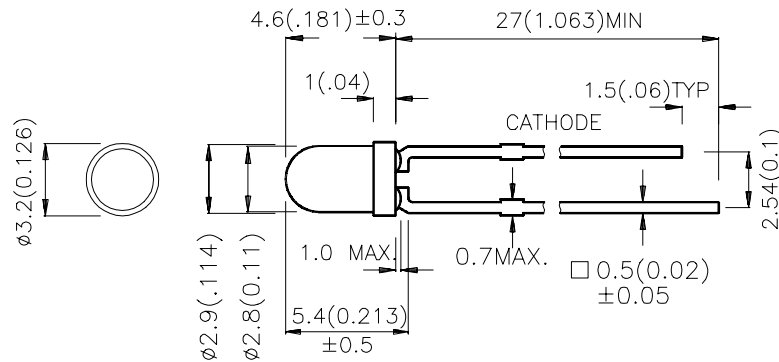
- ULTRA BRIGHTNESS.
- BOTH DIFFUSED AND WATER CLEAR LENS ARE AVAILABLE.
- OUTSTANDING MATERIAL EFFICIENCY.
- RELIABLE AND RUGGED.
- IC COMPATIBLE/LOW CURRENT CAPABILITY.

Description

The Green source color devices are made with DH InGaN on GaAs substrate Light Emitting Diode.

The Mega Green source color devices are made with DH InGaAlP on GaAs substrate Light Emitting Diode.

Package Dimensions



Notes:

1. All dimensions are in millimeters (inches).
2. Tolerance is $\pm 0.25(0.01)$ unless otherwise noted.
3. Lead spacing is measured where the lead emerge package.
4. Specifications are subject to change without notice.

Selection Guide

Part No.	Dice	Lens Type	Iv (mcd) @ 20 mA		Viewing Angle
			Min.	Typ.	2θ1/2
L-934MGC	MEGA GREEN (InGaAlP)	WATER CLEAR	200	700	50°
L-934VGC-E	GREEN (InGaN)		1500	2000	50°

Note:

1. θ1/2 is the angle from optical centerline where the luminous intensity is 1/2 the optical centerline value.

Electrical / Optical Characteristics at T_A=25°C

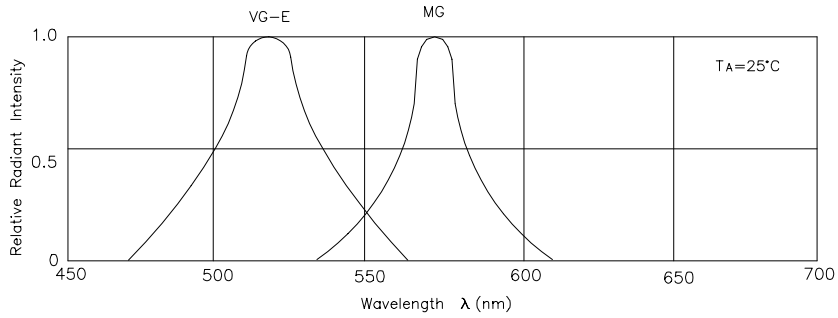
Symbol	Parameter	Device	Typ.	Max.	Units	Test Conditions
λ _{peak}	Peak Wavelength	Mega Green Green	574 518		nm	IF=20mA
λ _D	Dominate Wavelength	Mega Green Green	568 525		nm	IF=20mA
Δλ _{1/2}	Spectral Line Halfwidth	Mega Green Green	26 36		nm	IF=20mA
C	Capacitance	Mega Green Green	20 50		pF	VF=0V;f=1MHz
V _F	Forward Voltage	Mega Green Green	2.1 4.0	2.5 4.5	V	IF=20mA
I _R	Reverse Current	All		10	uA	VR = 5V

Absolute Maximum Ratings at T_A=25°C

Parameter	Mega Green	Green	Units
Power dissipation	105	120	mW
DC Forward Current	30	30	mA
Peak Forward Current [1]	205	150	mA
Reverse Voltage	5	5	V
Operating/Storage Temperature	-40°C To +85°C		
Lead Solder Temperature [2]	260°C For 5 Seconds		

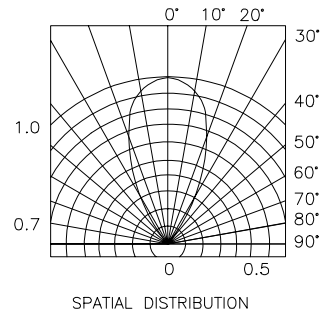
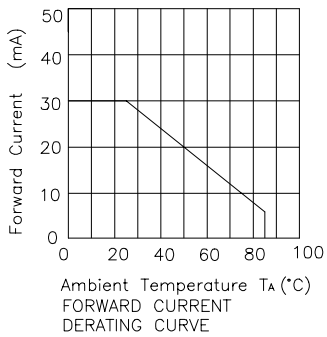
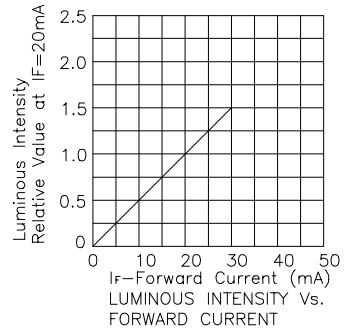
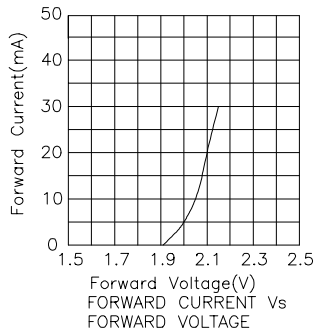
Notes:

1. 1/10 Duty Cycle, 0.1ms Pulse Width.
2. 4mm below package base.



RELATIVE INTENSITY Vs. WAVELENGTH

Mega Green L-934MGC



Green L-934VGC-E

