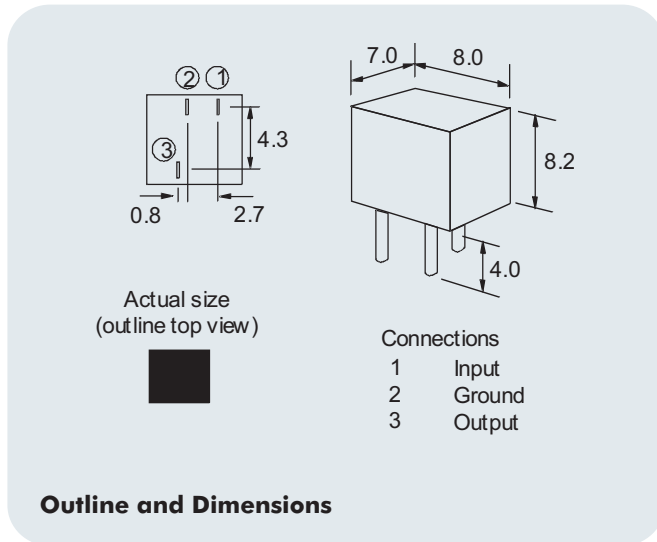


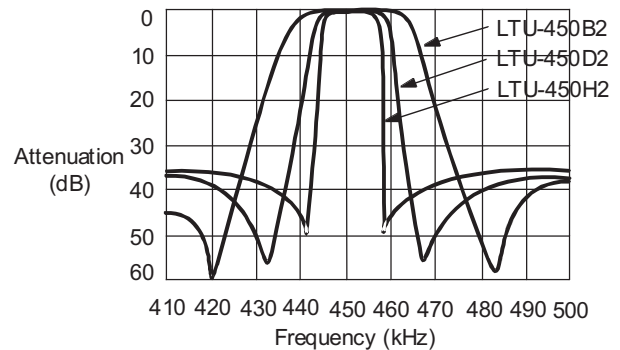
- High selectivity type ceramic filters
- Pass bandwidths from 30kHz to 4MHz
- Easily mounted to PCB
- Miniature size

4 Element

SPECIFICATION



Frequency v. Attenuation Characteristics



ELECTRICAL CHARACTERISTICS

Part Number	Centre Frequency (kHz)	Insertion Loss (dB max.)	Pass Band Ripple (dB max.)	6dB Bandwidth (kHz min.)	40dB Bandwidth (kHz min.)	Stop Band Att. ± 100 kHz (dB min.)	Input/Output Impedance (Ω)
LTU-455B2	455 ± 2.0	4	2	± 15	± 30	27	1500
LTU-455C2	455 ± 2.0	4	2	± 12.5	± 24	27	1500
LTU-455D2	455 ± 1.5	4	2	± 10	± 20	27	1500
LTU-455E2	455 ± 1.5	6	2	± 7.5	± 15	27	1500
LTU-455F2	455 ± 1.5	6	2	± 6	± 12.5	27	2000
LTU-455G2	455 ± 1.0	6	2	± 4.5	± 10	25	2000
LTU-455H2	455 ± 1.0	6	2	± 3	± 9	25	2000
LTU-455I2	455 ± 1.0	6	2	± 2	± 7.5	25	2000
LTU-455HT	455 ± 1.0	6	2	± 3	± 9	35	2000
LTU-455IT	455 ± 1.0	6	2	± 2	± 7.5	35	2000

TEST CIRCUIT

