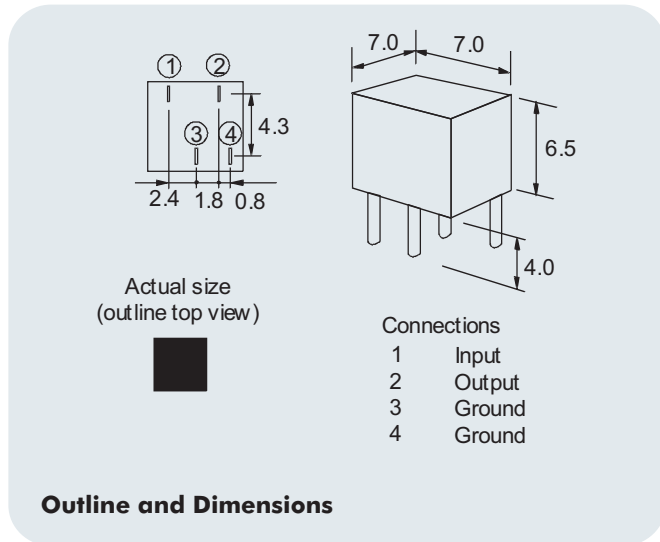


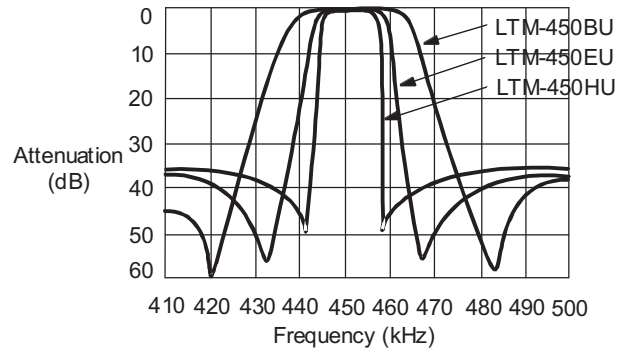
- High selectivity type ceramic filters
- Pass bandwidths from 30kHz to 4MHz
- Easily mounted to PCB
- Miniature size

4 Element

SPECIFICATION



Frequency v. Attenuation Characteristics



ELECTRICAL CHARACTERISTICS

Part Number	Centre Frequency (kHz)	Insertion Loss (dB max.)	Pass Band Ripple (dB max.)	6dB Bandwidth (kHz min.)	40dB Bandwidth (kHz min.)	Stop Band Att. ± 100 kHz (dB min.)	Input/Output Impedance (Ω)
LTM-450BU	450 \pm 2.0	4	2	± 15	± 30	27	1500
LTM-450CU	450 \pm 2.0	4	2	± 12.5	± 24	27	1500
LTM-450DU	450 \pm 1.5	4	2	± 10	± 20	27	1500
LTM-450EU	450 \pm 1.5	6	2	± 7.5	± 15	27	1500
LTM-450FU	450 \pm 1.5	6	2	± 6	± 12.5	27	2000
LTM-450GU	450 \pm 1.0	6	2	± 4.5	± 10	25	2000
LTM-450HU	450 \pm 1.0	6	2	± 3	± 9	25	2000
LTM-450IU	450 \pm 1.0	6	2	± 2	± 7.5	25	2000
LTM-450HTU	450 \pm 1.0	6	2	± 3	± 9	35	2000
LTM-450ITU	450 \pm 1.0	6	2	± 2	± 7.5	35	2000

() = typical values

TEST CIRCUIT

