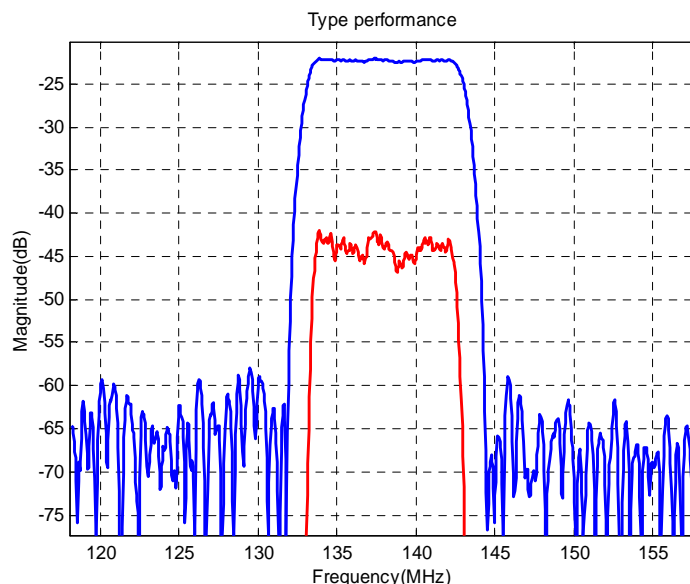


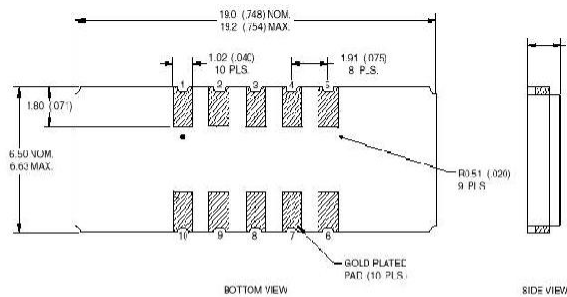


LBT13802 SAW Filter Electrical Characteristic

Parameter	Unit	Minimum	Typical	Maximum
Center Frequency	MHz	138	138.2	138.4
Insertion Loss	dB		22.07	25
1dB Bandwidth	MHz	8.80	9.22	
40dB Bandwidth	MHz		12.46	12.8
Passband Variation	dB		0.6	0.8
Ultimate Rejection	dB	40	42	
Absolute Delay	usec	-	3.31	-
Substrate Material		112 ⁰ -LiTaO ₃		
Ambient Temperature	°C	25		
Package Size		SMD (19x6.5x2mm ³)		

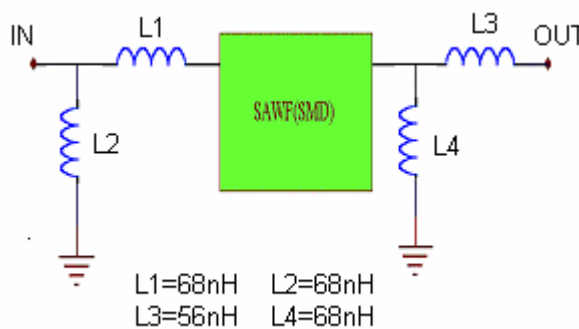


LBT13802 SAW Filter Typical Performance



5 input
10 output
other ground

19*6.5 SMD Package



Package