



# EMP216MGAW Series

## 2Mx16 Pseudo Static RAM

### Document Title

2M x 16 bit Pseudo SRAM ( EMP216MGAW Series ) Specification

### Revision History

Revision No.	History		Draft Date	Remark
0.0	Initial Draft		Oct. 24 , 2005	Preliminary

### **Emerging Memory & Logic Solutions Inc.**

4F Korea Construction Financial Cooperative B/D, 301-1 Yeon-Dong, Jeju-Si, Jeju-Do, Rep.of Korea Zip Code : 690-717  
Tel : +82-64-740-1700 Fax : +82-64-740-1749~1750 / Homepage : www.emlsi.com

The attached datasheets are provided by EMLSI reserve the right to change the specifications and products. EMLSI will answer to your questions about device. If you have any questions, please contact the EMLSI office.

### 2Mb x16 Pseudo Static RAM Specification

#### GENERAL DESCRIPTION

The EMP216MGAW series is 33,554,432 bits of Pseudo SRAM which uses DRAM type memory cells, but this device has refresh-free operation and extreme low power consumption technology. Furthermore the interface is compatible to a low power Asynchronous type SRAM. The EMP216MGAW is organized as 2,097,152 Words x 16 bit.

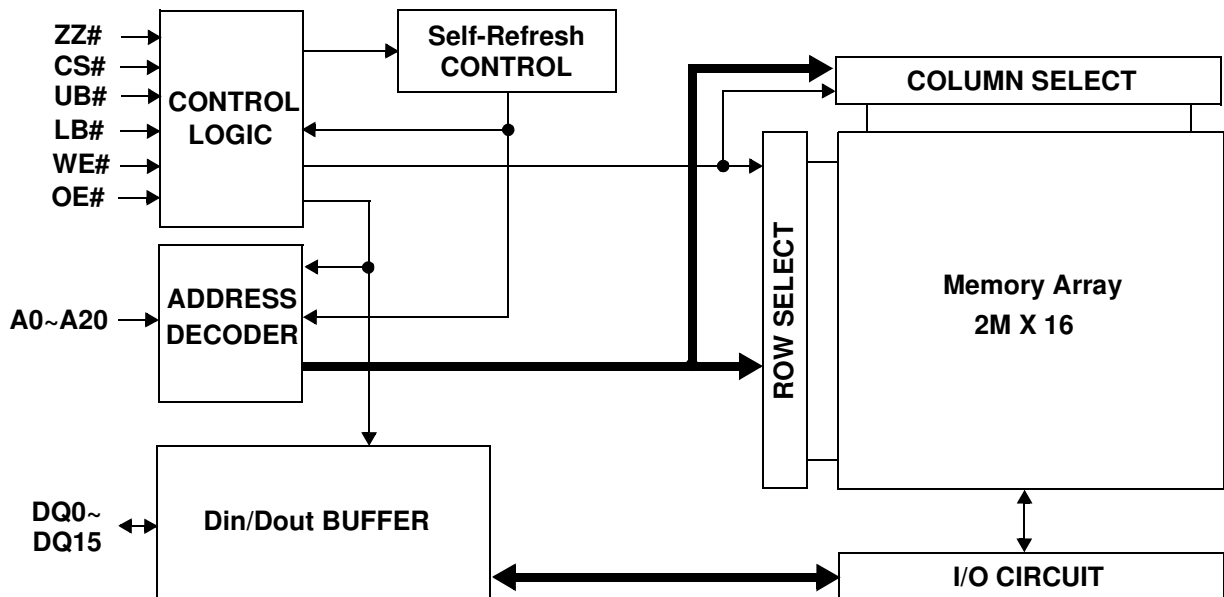
#### FEATURES

- Organization :2M x16
- Power Supply Voltage : 2.7 ~ 3.3V
- Separated I/O power(VccQ) & Core power(Vcc)
- Three state outputs
- Byte read/write control by UB# / LB#
- Support Page Read/Write operation with 16 words
- Support Direct Deep Power Down control by ZZ# and Auto-TCSR for power saving

#### PRODUCT FAMILY

Part Number	Operating Temp.	Power Supply	Speed (t <sub>RC</sub> )	Power Dissipation	
				Standby (I <sub>SB1</sub> , Max.)	Operating (I <sub>CC2</sub> , Max.)
EMP216MGAW-70E	-25°C to 85°C	2.7V to 3.3V	70ns	100uA	25mA

#### FUNCTION BLOCK DIAGRAM





# EMP216MGAW Series

## 2Mx16 Pseudo Static RAM

### 2Mb x16 Pseudo Static RAM

#### GENERAL WAFER SPECIFICATIONS

- Process Technology : 0.125um CMOS Deep trench process
- 3 Metal layers including local inter-connection
- Wafer thickness : 725 +/- 25um
- Wafer Diameter : 8-inch

#### PAD DESCRIPTION

Name	Function	Name	Function
CS#	Chip select inputs	LB#	Lower byte (DQ <sub>0~7</sub> )
OE#	Output enable input	UB#	Upper byte (DQ <sub>8~15</sub> )
WE#	Write enable input	VCC	Power supply
ZZ#	Low Power Control	VCCQ	I/O Power supply
DQ <sub>0-15</sub>	Data In-out	VSS(Q)	Ground
A <sub>0-20</sub>	Address inputs	NC	No connection

**ABSOLUTE MAXIMUM RATINGS** <sup>1)</sup>

Parameter	Symbol	Ratings	Unit
Voltage on Any Pin Relative to Vss	V <sub>IN</sub> , V <sub>OUT</sub>	-0.2 to V <sub>CCQ</sub> +0.3V	V
Voltage on Vcc supply relative to Vss	V <sub>CC</sub> , V <sub>CCQ</sub>	-0.2 <sup>2)</sup> to 3.6V	V
Power Dissipation	P <sub>D</sub>	1.0	W
Storage Temperature	T <sub>STG</sub>	-65 to 150	°C
Operating Temperature	T <sub>A</sub>	-25 to 85	°C

1. Stresses greater than those listed above “Absolute Maximum Ratings” may cause permanent damage to the device. Functional operation should be restricted to recommended operating condition. Exposure to absolute maximum rating conditions for extended periods may affect reliability.

2. Undershoot at power-off : -1.0V in case of pulse width  $\leq$  20ns

**FUNCTIONAL DESCRIPTION**

CS#	ZZ#	OE#	WE#	LB#	UB#	DQ <sub>0~7</sub>	DQ <sub>8~15</sub>	Mode	Power
H	H	X	X	X	X	High-Z	High-Z	Deselected	Stand by
X	L	X	X	X	X	High-Z	High-Z	Deselected	Deep Power Down
X	H	X	X	H	H	High-Z	High-Z	Deselected	Stand by
L	H	H	H	L	X	High-Z	High-Z	Output Disabled	Active
L	H	H	H	X	L	High-Z	High-Z	Output Disabled	Active
L	H	L	H	L	H	Data Out	High-Z	Lower Byte Read	Active
L	H	L	H	H	L	High-Z	Data Out	Upper Byte Read	Active
L	H	L	H	L	L	Data Out	Data Out	Word Read	Active
L	H	X	L	L	H	Data In	High-Z	Lower Byte Write	Active
L	H	X	L	H	L	High-Z	Data In	Upper Byte Write	Active
L	H	X	L	L	L	Data In	Data In	Word Write	Active

Note: X means don't care. (Must be low or high state)

**RECOMMENDED DC OPERATING CONDITIONS**<sup>1)</sup>

Parameter	Symbol	Min	Typ	Max	Unit
Supply voltage	V <sub>CC</sub>	2.7	3.0	3.3	V
	V <sub>CCQ</sub>	2.7	3.0	3.3	V
Ground	V <sub>SS</sub> , V <sub>SSQ</sub>	0	0	0	V
Input high voltage	V <sub>IH</sub>	0.8 * V <sub>CCQ</sub>	-	V <sub>CCQ</sub> + 0.2 <sup>2)</sup>	V
Input low voltage	V <sub>IL</sub>	-0.2 <sup>3)</sup>	-	0.2 * V <sub>CCQ</sub>	V

1. T<sub>A</sub>= -25 to 85°C, otherwise specified
2. Overshoot: V<sub>CC</sub> +1.0 V in case of pulse width ≤ 20ns
3. Undershoot: -1.0 V in case of pulse width ≤ 20ns
4. Overshoot and undershoot are sampled, not 100% tested.

**CAPACITANCE**<sup>1)</sup> (f = 1MHz, T<sub>A</sub> = 25°C)

Item	Symbol	Test Condition	Min	Max	Unit
Input capacitance	C <sub>IN</sub>	V <sub>IN</sub> =0V	-	8	pF
Input/Output capacitance	C <sub>IO</sub>	V <sub>IO</sub> =0V	-	8	pF

1. Capacitance is sampled, not 100% tested

**DC AND OPERATING CHARACTERISTICS**

Parameter	Symbol	Test Conditions	Min	Typ	Max	Unit
Input leakage current	I <sub>LI</sub>	V <sub>IN</sub> =V <sub>SS</sub> to V <sub>CCQ</sub> , V <sub>CC</sub> =V <sub>CCmax</sub>	-1	-	1	uA
Output leakage current	I <sub>LO</sub>	CS#=V <sub>IH</sub> , ZZ#=V <sub>IH</sub> , OE#=V <sub>IH</sub> or WE#=V <sub>IL</sub> , V <sub>IO</sub> =V <sub>SS</sub> to V <sub>CCQ</sub> , V <sub>CC</sub> =V <sub>CCmax</sub>	-1	-	1	uA
Average operating current	I <sub>CC1</sub>	Cycle time=1μs, 100% duty, I <sub>IO</sub> =0mA, CS#≤0.2V, ZZ#=V <sub>IH</sub> , V <sub>IN</sub> ≤0.2V or V <sub>IN</sub> ≥V <sub>CCQ</sub> -0.2V	-	-	3	mA
	I <sub>CC2</sub>	Cycle time = Min, I <sub>IO</sub> =0mA, 100% duty, CS#=V <sub>IL</sub> , ZZ#=V <sub>IH</sub> , V <sub>IN</sub> =V <sub>IL</sub> or V <sub>IH</sub>	-	-	25	mA
Output low voltage	V <sub>OL</sub>	I <sub>OL</sub> = 0.5mA, V <sub>CC</sub> =V <sub>CCmin</sub>	-	-	0.2*V <sub>CCQ</sub>	V
Output high voltage	V <sub>OH</sub>	I <sub>OH</sub> = -0.5mA, V <sub>CC</sub> =V <sub>CCmin</sub>	0.8*V <sub>CCQ</sub>	-	-	V
Standby Current (CMOS)	I <sub>SB</sub>	CS#, ZZ#≥V <sub>CCQ</sub> -0.2V, Other inputs = 0 ~ V <sub>CCQ</sub> (Typ. condition : V <sub>CC</sub> =3.0V @ 25°C) (Max. condition : V <sub>CC</sub> =3.3V @ 85°C)	-	-	100	uA

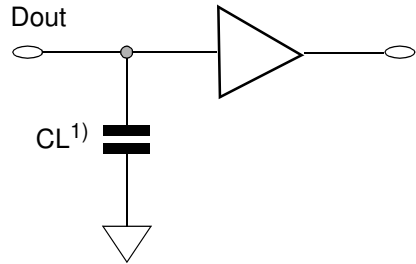
1. Maximum I<sub>CC</sub> specifications are tested with V<sub>CC</sub> = V<sub>CCmax</sub>.

**AC OPERATING CONDITIONS**

**Test Conditions** (Test Load and Test Input/Output Reference)

- Input Pulse Level : 0.2V to  $V_{CCQ}-0.2V$
- Input Rise and Fall Time : 5ns
- Input and Output reference Voltage :  $V_{CCQ}/2$
- Output Load (See right) :  $CL^1) = 30pF$

1. Including scope and Jig capacitance

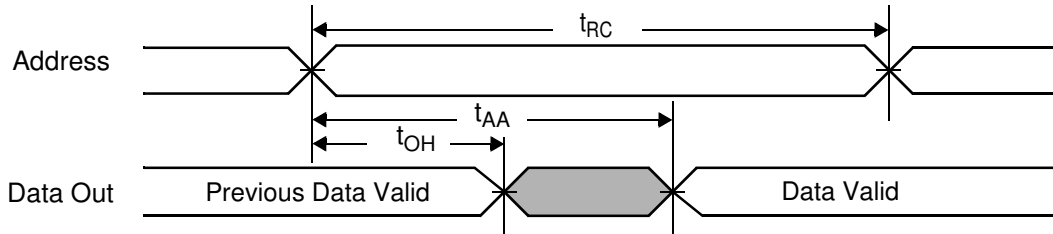


**AC CHARACTERISTICS** ( $V_{CC} = 2.7$  to  $3.3V$ ,  $Gnd = 0V$ ,  $T_A = -25C$  to  $+85^{\circ}C$ )

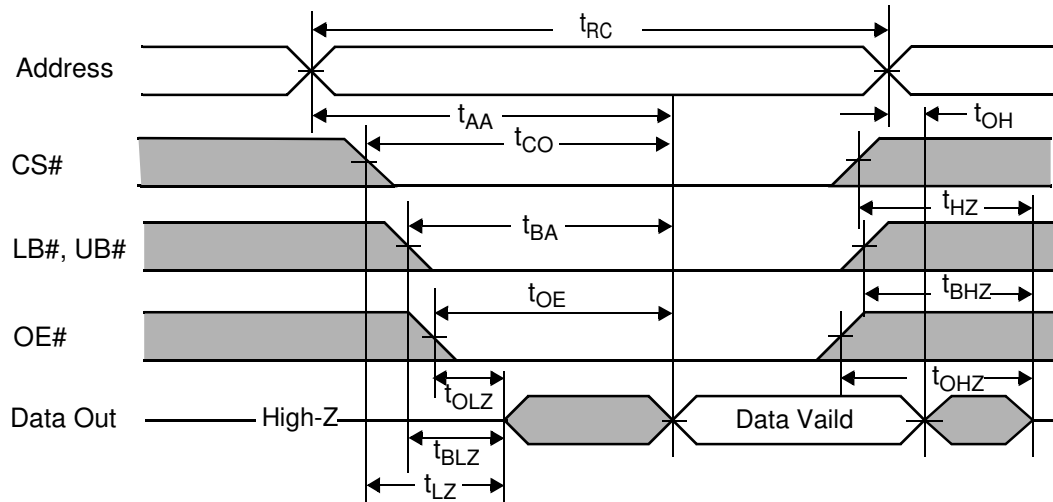
Parameter List		Symbol	Speed		Unit
			Min	Max	
Read	Read Cycle Time	$t_{RC}$	70	20k	ns
	Address access time	$t_{AA}$	-	70	ns
	Chip enable to data output	$t_{CO}$	-	70	ns
	Output enable to valid output	$t_{OE}$	-	25	ns
	UB#, LB# enable to data output	$t_{BA}$	-	70	ns
	Chip enable to low-Z output	$t_{LZ}$	10	-	ns
	UB#, LB# enable to low-Z output	$t_{BLZ}$	10	-	ns
	Output enable to low-Z output	$t_{OLZ}$	5	-	ns
	Chip disable to high-Z output	$t_{HZ}$	0	15	ns
	UB#, LB# disable to high-Z output	$t_{BHZ}$	0	15	ns
	Output disable to high-Z output	$t_{OHZ}$	0	15	ns
	Output hold from Address change	$t_{OH}$	5	-	ns
Write	Write Cycle Time	$t_{WC}$	70	20k	ns
	Chip enable to end of write	$t_{CW}$	60	-	ns
	Address setup time	$t_{AS}$	0	-	ns
	Address valid to end of write	$t_{AW}$	60	-	ns
	UB#, LB# valid to end of write	$t_{BW}$	60	-	ns
	Write pulse width	$t_{WP}$	50	-	ns
	Write recovery time	$t_{WR}$	0	-	ns
	Write to output high-Z	$t_{WHZ}$	0	15	ns
	Data to write time overlap	$t_{DW}$	20	-	ns
	Data hold from write time	$t_{DH}$	0	-	ns
	End write to output low-Z	$t_{OW}$	5	-	ns
Page	Maximum cycle time	$t_{MRC}$	-	20k	ns
	Page mode cycle time	$t_{PC}$	25	-	ns
	Page mode address access time	$t_{PAA}$	-	25	ns

**TIMING DIAGRAMS**

**READ CYCLE (1)** (Address controlled, CS#=OE#=V<sub>IL</sub>, ZZ#=WE#=V<sub>IH</sub>, UB# or/and LB#=V<sub>IL</sub>)



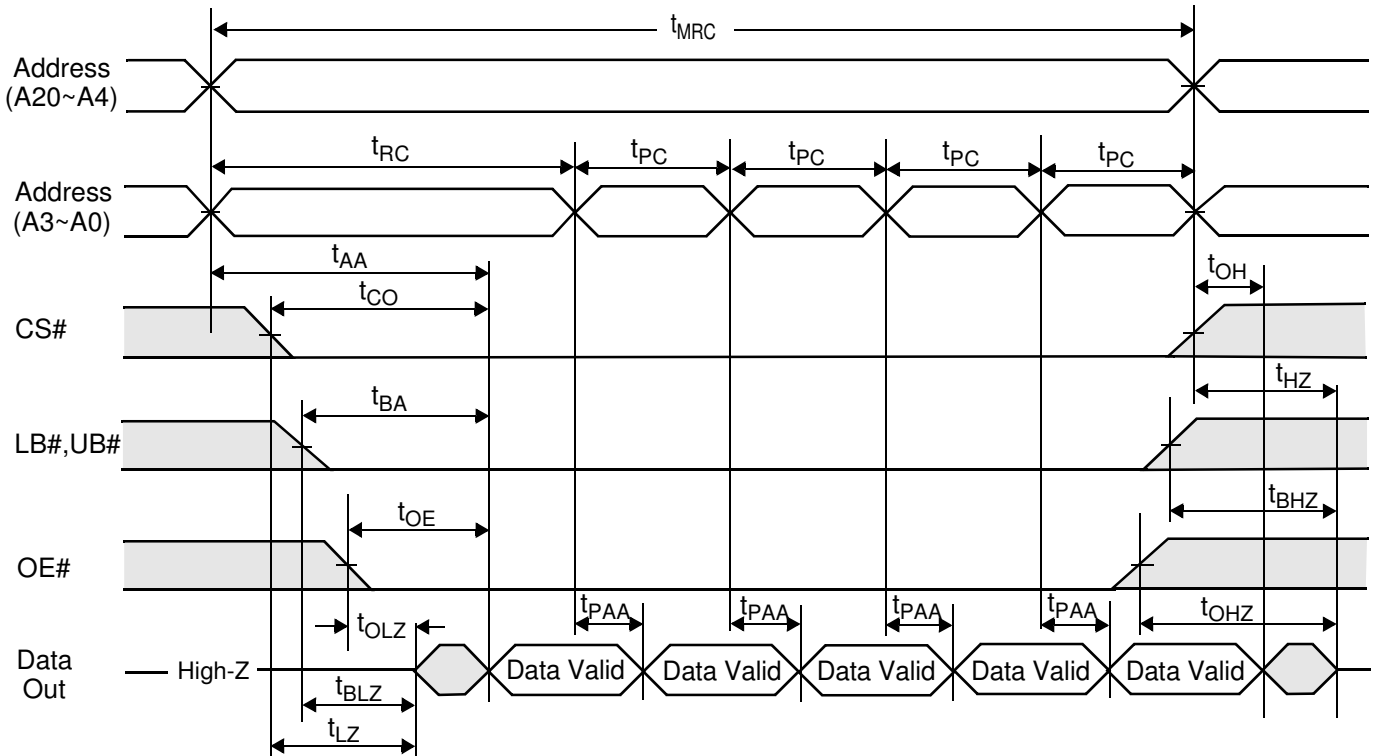
**READ CYCLE (2)** (ZZ#=WE#=V<sub>IH</sub>)



**NOTES (READ CYCLE)**

1. t<sub>HZ</sub>, t<sub>BHZ</sub> and t<sub>OHZ</sub> are defined as the time at which the outputs achieve the open circuit conditions and are not referenced to output voltage levels.
2. Do not Access device with cycle timing shorter than t<sub>RC</sub> for continuous periods > 20us.

**PAGE READ CYCLE** ( $ZZ\#=WE\#=V_{IH}$ , 16 Words access)

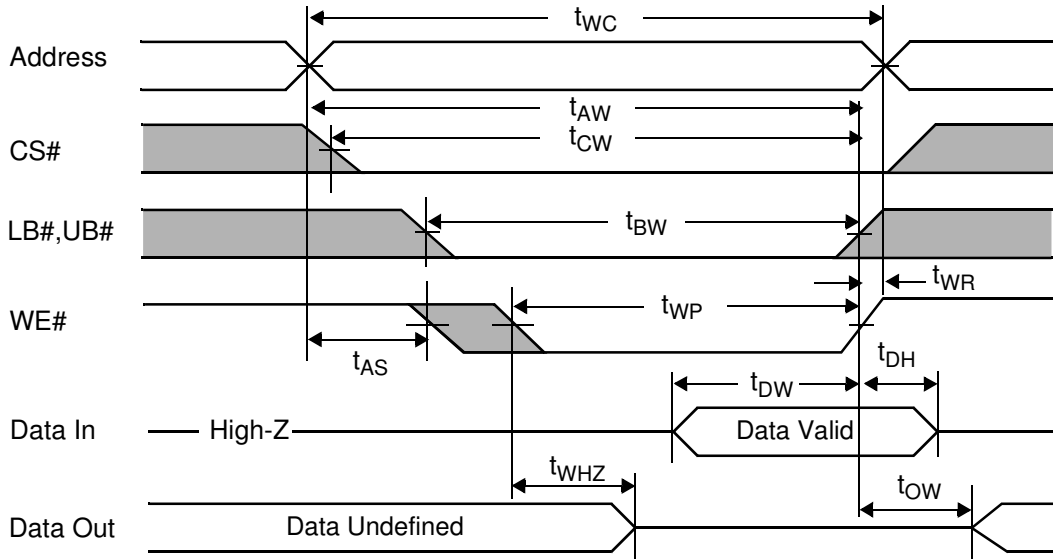


**NOTES (READ CYCLE)**

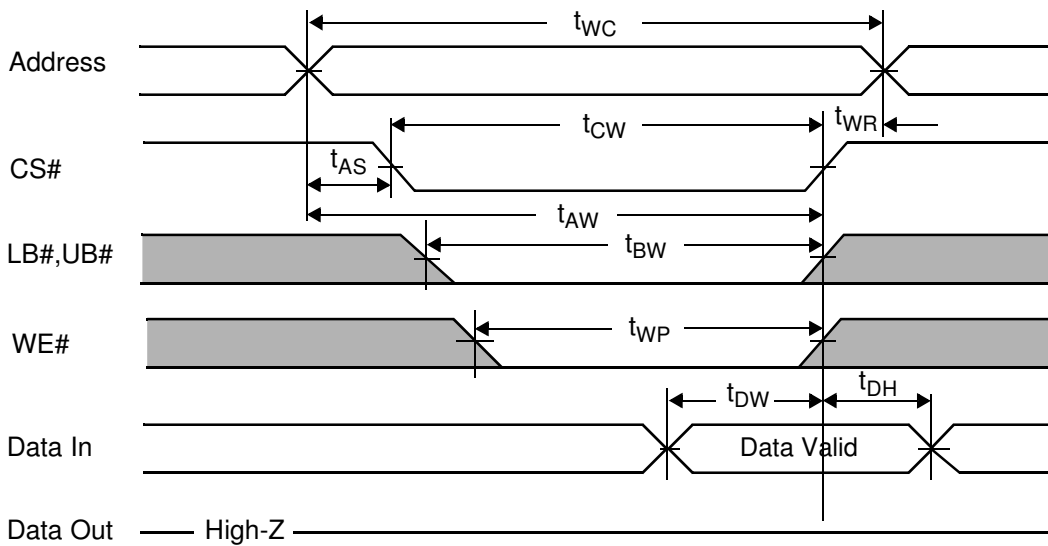
- $t_{HZ}$ ,  $t_{BHZ}$  and  $t_{OHZ}$  are defined as the time at which the outputs achieve the open circuit conditions and are not referenced to output voltage levels.
- Do not Access device with cycle timing shorter than  $t_{RC}$  for continuous periods > 20us.



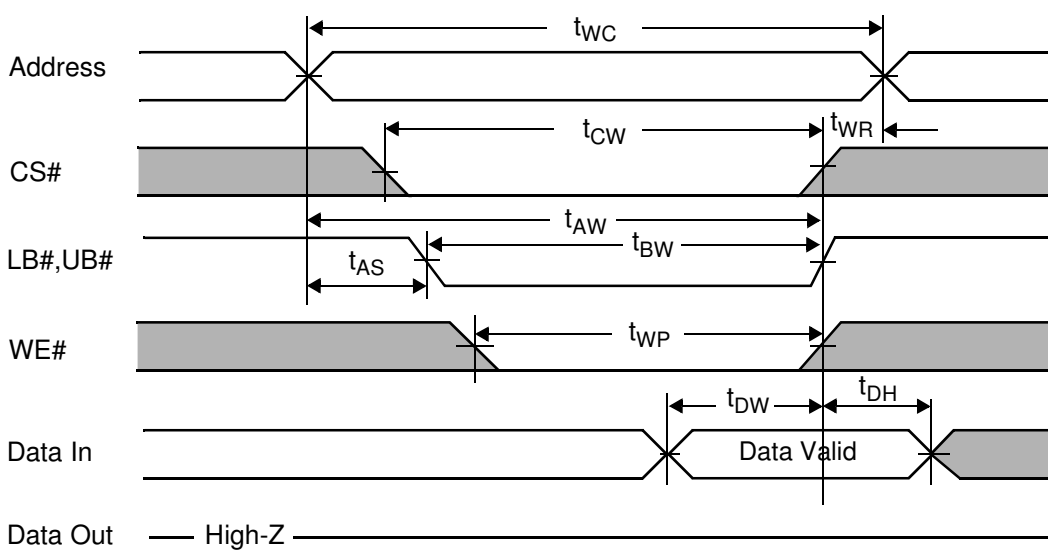
**WRITE CYCLE (1) (WE# controlled, ZZ#=V<sub>IH</sub>)**



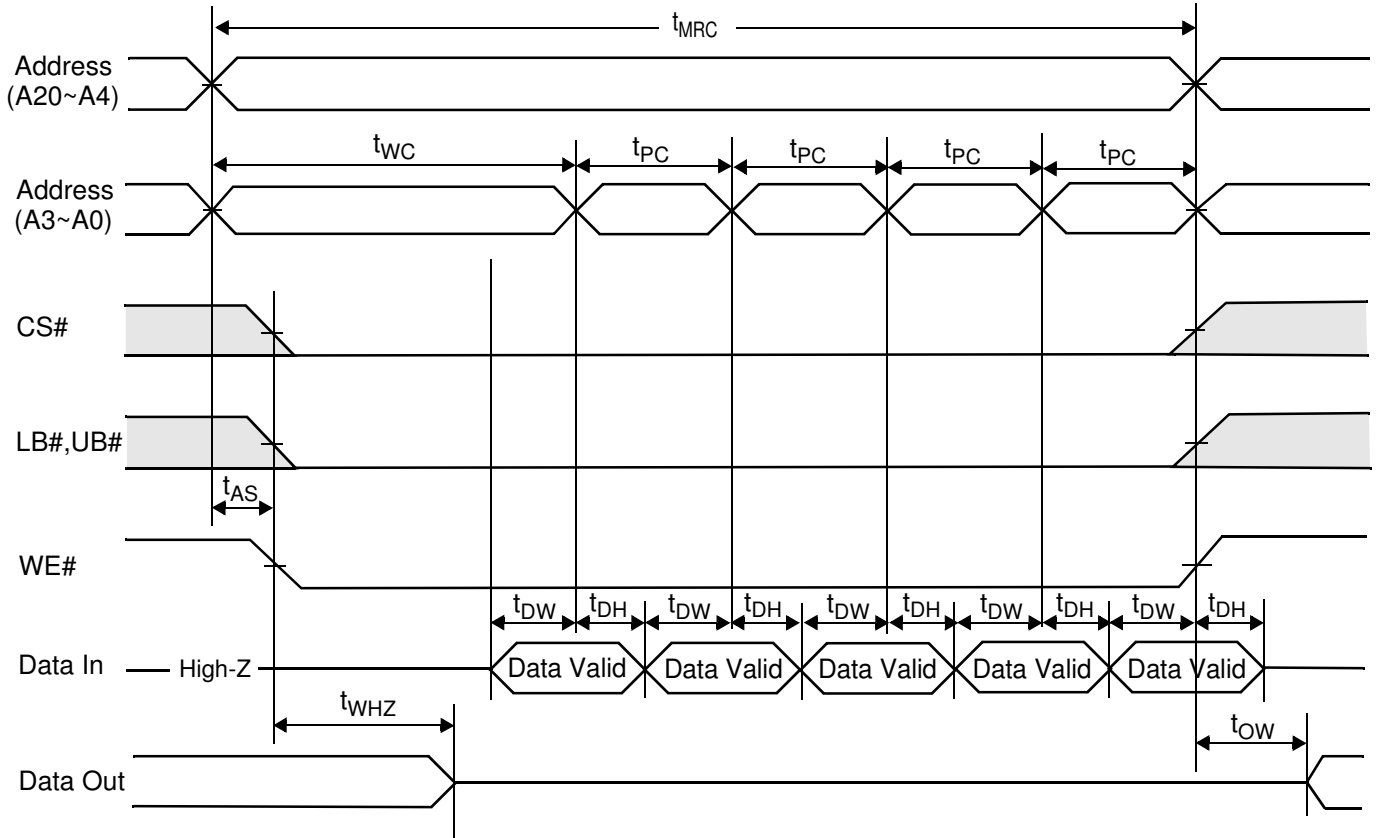
**WRITE CYCLE (2) (CS# controlled, ZZ#=V<sub>IH</sub>)**



**WRITE CYCLE (3) (UB#/LB# controlled, ZZ#=V<sub>IH</sub>)**



**PAGE WRITE CYCLE** ( $ZZ\#=V_{IH}$ , 16 Words access)

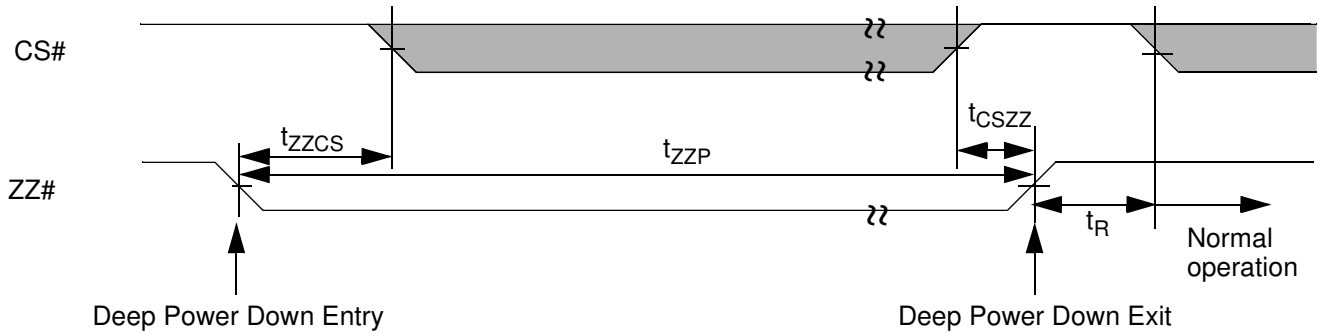


**NOTES (WRITE CYCLE)**

1. A write occurs during the overlap( $t_{WP}$ ) of low CS#, low WE# and low UB# or LB#. A write begins at the last transition among low CS# and low WE# with asserting UB# or LB# low for single byte operation or simultaneously asserting UB# and LB# low for word operation. A write ends at the earliest transition among high CS# and high WE#. The  $t_{WP}$  is measured from the beginning of write to the end of write.
2.  $t_{CW}$  is measured from CS# going low to end of write.
3.  $t_{AS}$  is measured from the address valid to the beginning of write.
4.  $t_{WR}$  is measured from the end of write to the address change.  $t_{WR}$  applied in case a write ends as CS# or WE# going high.
5. Do not Access device with cycle timing shorter than  $t_{WC}$  for continuous periods > 20us.

## LOW POWER MODES

### Deep Power Down Mode Entry/Exit



#### NOTES ( DEEP POWER DOWN )

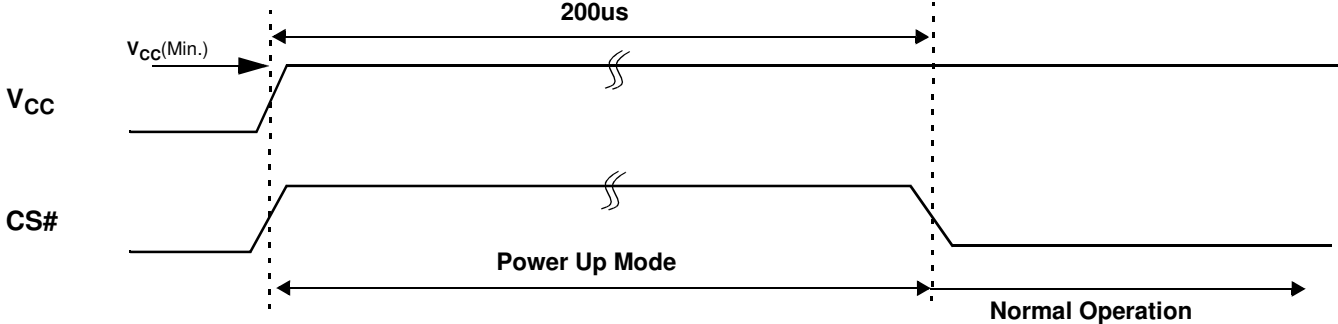
During Deep Power Down mode, all refresh related activity are disabled.

Parameter	Description	Min	Max	Unit
$t_{zzcs}$	ZZ# low to CS# low	0	-	ns
$t_{cszz}$	CS# high to ZZ# high	0	-	ns
$t_R$	Operation Recovery Time	200	-	us
$t_{zzp}$	ZZ# pulse width	20	-	ns

### Low Power Mode Characteristics

Parameter	Symbol	Test Conditions	Min	Typ	Max	Unit
Deep Power Down Current	$I_{zz}$	ZZ# $\leq 0.2V$ , Other inputs = 0 ~ $V_{CCQ}$ (Max. condition : $V_{CC}=3.3V @ 85^{\circ}C$ )	-	-	10	uA

**TIMING WAVEFORM OF POWER UP**



**NOTE ( POWER UP )**

1. After V<sub>CC</sub> reaches V<sub>CC(Min.)</sub> , wait 200us with CS# high. Then you get into the normal operation.