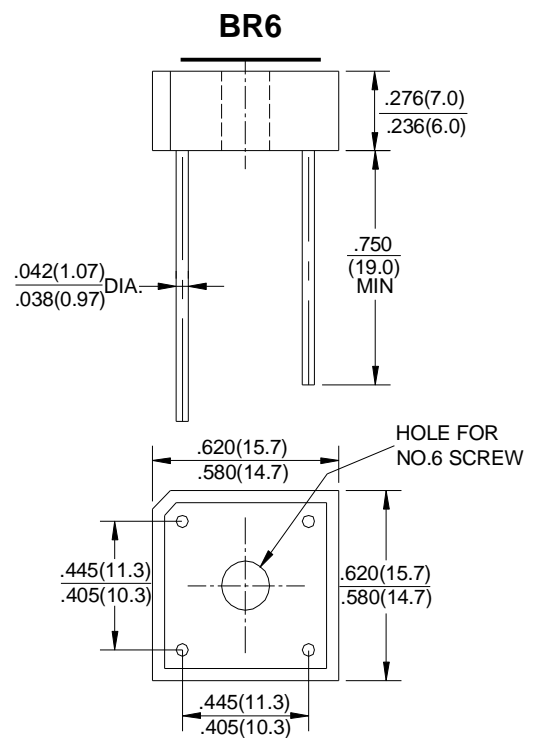


GLASS PASSIVATED BRIDGE RECTIFIERS

REVERSE VOLTAGE - 50 to 1000Volts
FORWARD CURRENT - 6.0 Amperes

FEATURES

- Surge overload rating -150 amperes peak
- Low forward voltage drop
- Small size; simple installation
- Sliver plated copper leads
- Mounting position: Any



Polarity shown on side of case, Positive lead by beveled corner.

Dimensions in inches and (milimeters)

MAXIMUM RATINGS AND ELECTRICAL CHARACTERISTICS

Rating at 25°C ambient temperature unless otherwise specified.

Single phase, half wave ,60Hz, resistive or inductive load.

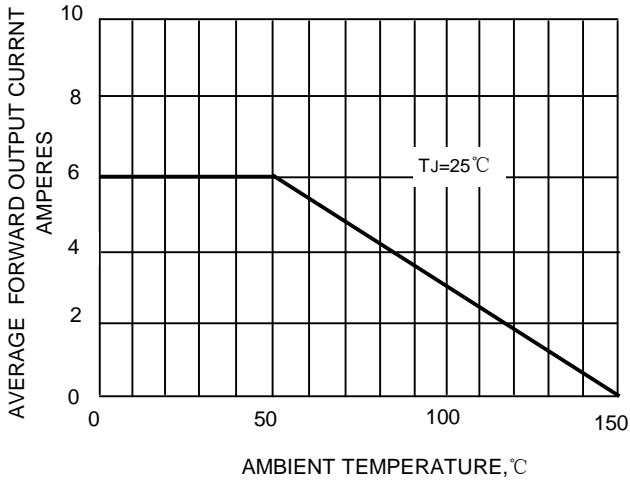
For capacitive load, derate current by 20%

| CHARACTERISTICS | SYMBOL | BR6005G | BR601G | BR602G | BR604G | BR606G | BR608G | BR610G | UNIT |
|--|-------------------|-------------|--------|--------|--------|--------|--------|--------|------|
| Maximum Recurrent Peak Reverse Voltage | V _{RRM} | 50 | 100 | 200 | 400 | 600 | 800 | 1000 | v |
| Maximum RMS Bridge Input Voltage | V _{RMS} | 30 | 70 | 140 | 280 | 420 | 560 | 700 | v |
| Maximum Average Forward Rectified Output Current at T _c =100°C (Note1) | I _(AV) | 6.0 | | | | | | | A |
| Rectified Output Current at T _A =50°C (Note2) | | 3.0 | | | | | | | |
| Peak Forward Surge Current 8.3ms Single Half Sine-Wave Super Imposed on Rated Load | I _{FSM} | 150 | | | | | | | A |
| Maximum Forward Voltage Drop Per Bridge Element at 3.0A Peak | V _F | 1.1 | | | | | | | V |
| Maximum Reverse Current at Rated DC Blocking Voltage Per Element T _A =25°C | I _R | 10.0 | | | | | | | uA |
| DC Blocking Voltage Per Element T _A =100°C | | 1.0 | | | | | | | mA |
| Operating Temperature Range | T _J | -55 to +150 | | | | | | | °C |
| Storage Temperature Range | T _{STG} | -55 to +150 | | | | | | | °C |

Notes:1. Unit mounted on metal chassis

2. Unit mounted on P.C. board

**FIG.1-DERATING CURVE FOR
 OUTPUT RECTIFIED CURRENT**



**FIG.2-TYPICAL REVERSE
 CHARACTERISTICS**

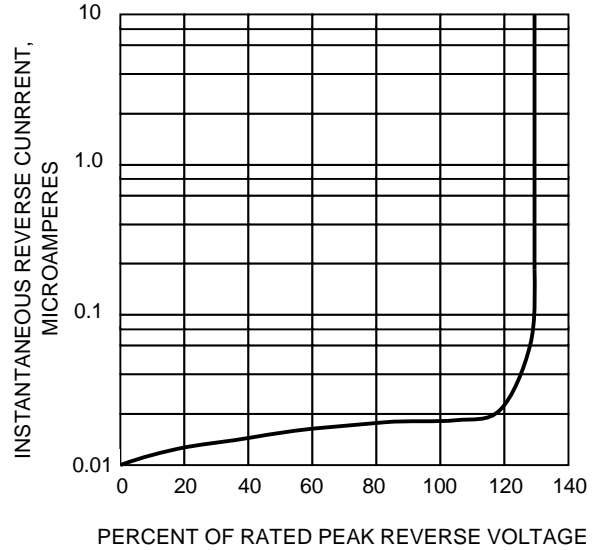
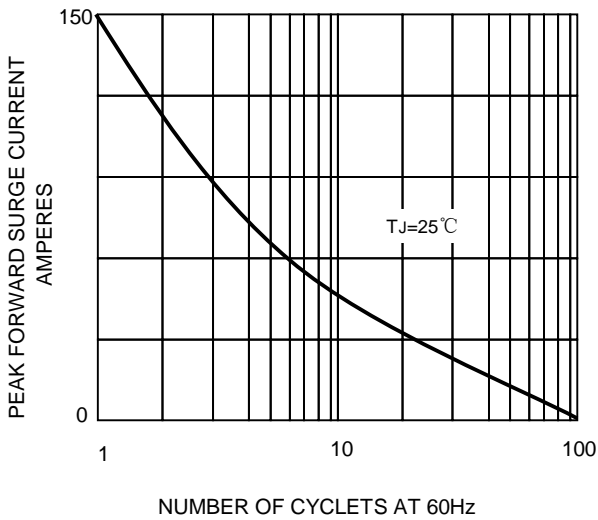


FIG.3-MAXIMUM FORWARD SURGE CURRENT



**FIG.4-TYPICAL INSTANTANEOUS
 FORWARD CHARACTERISTICS**

