

SMTC1-300H

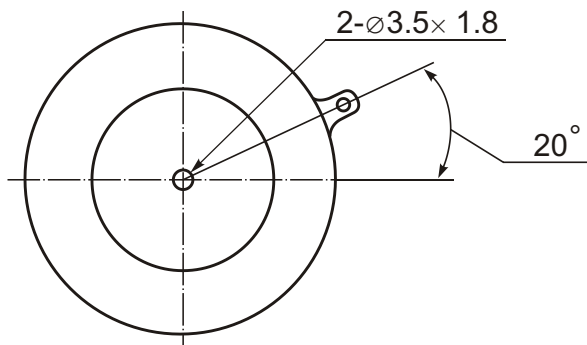


High Frequency Thyristor

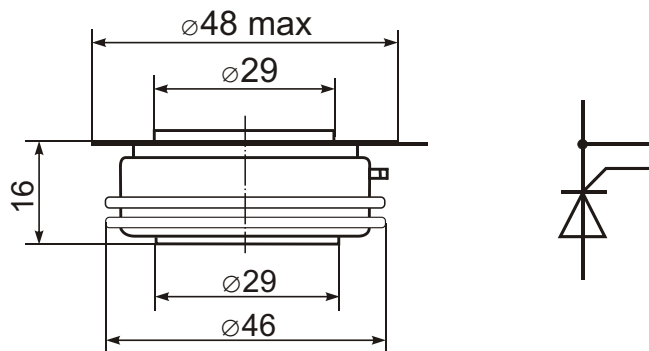


Type	V_{RSM}	V_{RRM} , V_{DRM}
SMTC1-300H-8	900	800
SMTC1-300H-10	1100	1000
SMTC1-300H-12	1300	1200
SMTC1-300H-14	1500	1400
SMTC1-300H-16	1700	1600

Type	I_{TAVM} $T_c=55^\circ\text{C}$	I_{TSM}	$(di/dt)_{cr}$	$(dv/dt)_{cr}$	V_{TM}	I_{TM}	V_{TO}	r_T	V_{GT}	I_{GT}	T_{VJM}	R_{thJC}	F
	A	kA	A/ μs	V/ μs	V	A	V	$m\Omega$	V	mA	$^\circ\text{C}$	K/W	kN
SMTC1-300H	300	2.4	200	500-1000	2.7	980	1.20	0.97	2.5	200	115	0.055	10



Type	t_{q1} $(T_c=105^\circ\text{C})$	I_T/f
	μs	A/KHz
SMTC1-300H-xx-RGD1	10	200/6
SMTC1-300H-xx-PGD1	12	
SMTC1-300H-xx-OGD1	16	
SMTC1-300H-xx-NGD1	20	
SMTC1-300H-xx-MGD1	25	



Features:

- Hermetic metal case with ceramic insulator
- Capsule packages for double sided cooling
- High frequency performance (2.5-10 KHz)
- International standard case
- Low consumption switch

Typical Applications:

- Inverter
- Welding machine
- Inductive heating
- Uninterruptable power supplies