

90° HYBRID

SURFACE MOUNT MODEL: SMQ-CB1

2:1 BANDWIDTH

7 - 14 MHz

FEATURES:

- ▶ Excellent Performance
- ▶ Small Size, Surface Mount
- ▶ Building Block For:
 - Power Amplifiers
 - Image Rejection Mixers
 - I & Q / SSB Modulators
 - Phase Shifters & More...

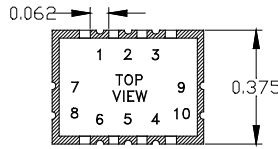
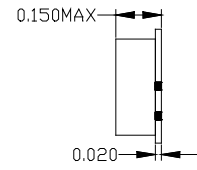


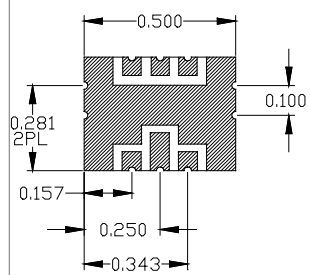
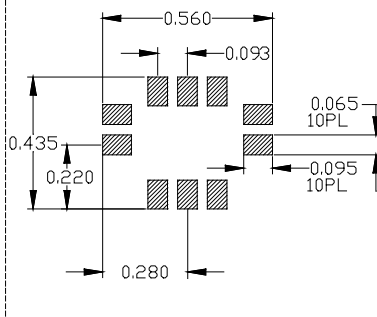
SPECIFICATIONS (Rev. B 02/11/08)

Frequency	7 - 14 MHz	
Insertion Loss (dB) *	Typ.	Max.
	0.3	0.6
Amplitude Unbalance	Typ.	Max.
	0.4	0.75
Phase Unbalance (Deg.)	Typ.	Max.
	1	3
Isolation (dB)	Typ.	Min.
	26	20
Power Rating	1 Watt (Max.)	
Impedance	50 Ohms (Nom.)	
VSWR	1.1:1 (Typ.)	
Operating Temperature Range	-40 to +85 °C	
Storage Temperature Range	-55 to +100 °C	

* Insertion loss in excess of the theoretical 3 dB coupling.

Package #	129				
------------------	-----	--	--	--	--

Port Configuration					
Input	Isolated*	+90° Output	0° Output	GND.**	No Conn.
5	6	1	2	7,8,9,10	3,4

* Terminate ISOLATED port in 50 Ohms EXTERNALLY.
 ** Ground Externally

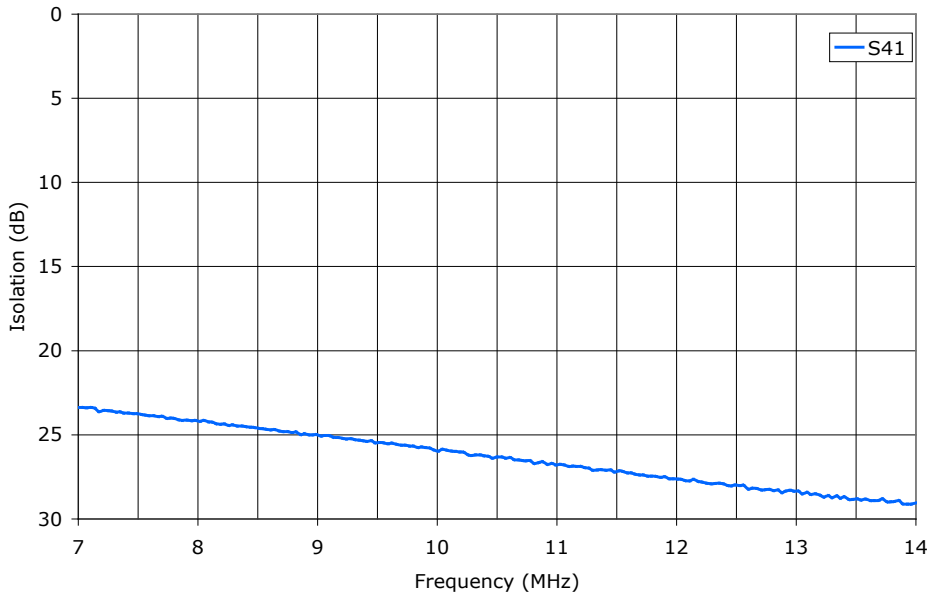
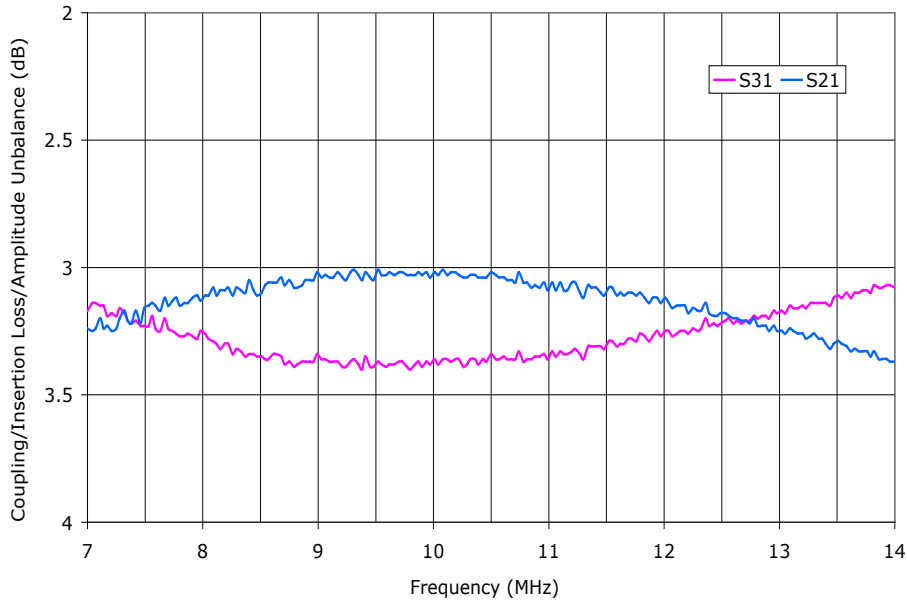
90° HYBRID

SURFACE MOUNT MODEL: SMQ-CB1

2:1 BANDWIDTH

7 - 14 MHz

Data @ 25°C



PERFORMANCE PLOTS

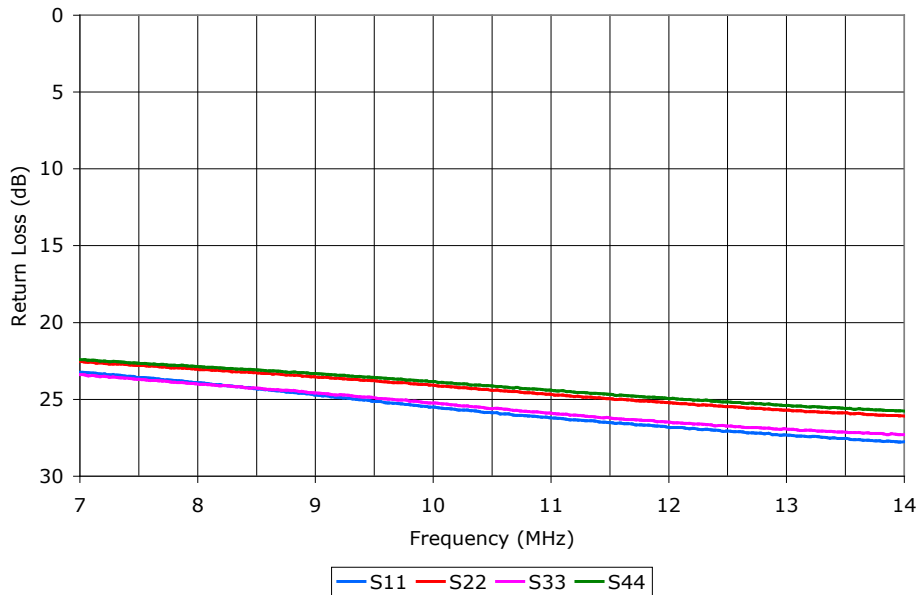
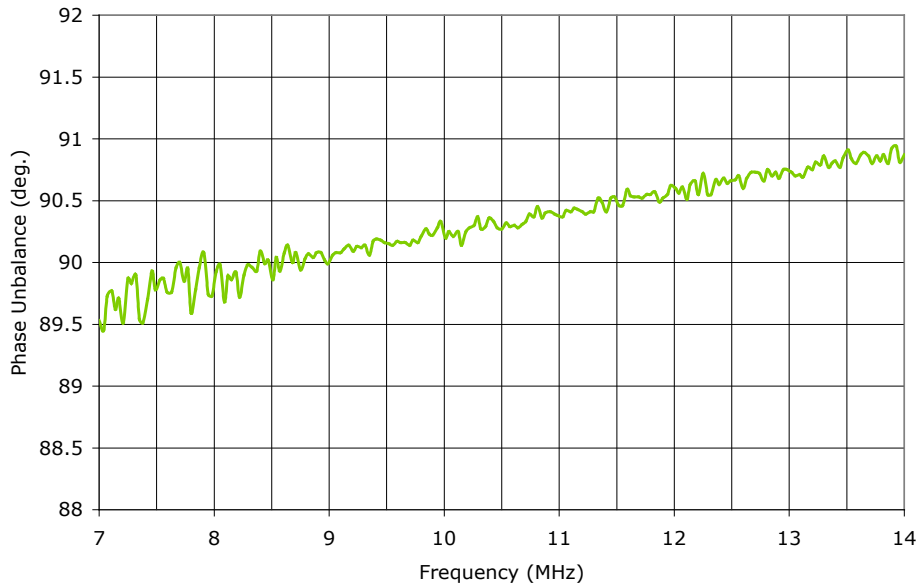
90° HYBRID

SURFACE MOUNT MODEL: SMQ-CB1

2:1 BANDWIDTH

7 - 14 MHz

Data @ 25°C



PERFORMANCE PLOTS



Copyright © 2008 Synergy Microwave Corporation

201 McLean Boulevard • Paterson, New Jersey 07504 • Tel: (973) 881-8800 • Fax: (973) 881-8361
E-Mail: sales@synergymw.com • World Wide Web: <http://www.synergymw.com>

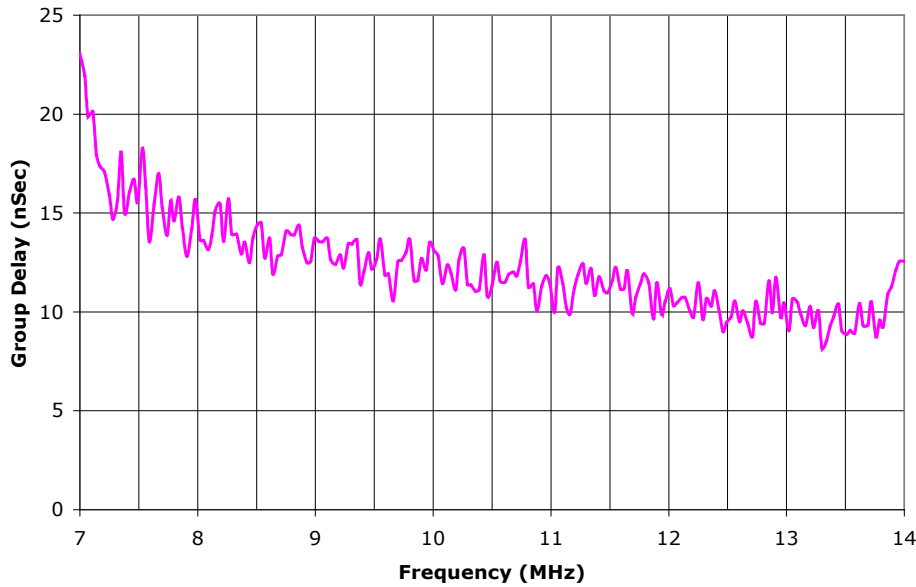
90° HYBRID

SURFACE MOUNT MODEL: SMQ-CB1

2:1 BANDWIDTH

7 - 14 MHz

Data @ 25°C



PERFORMANCE PLOTS