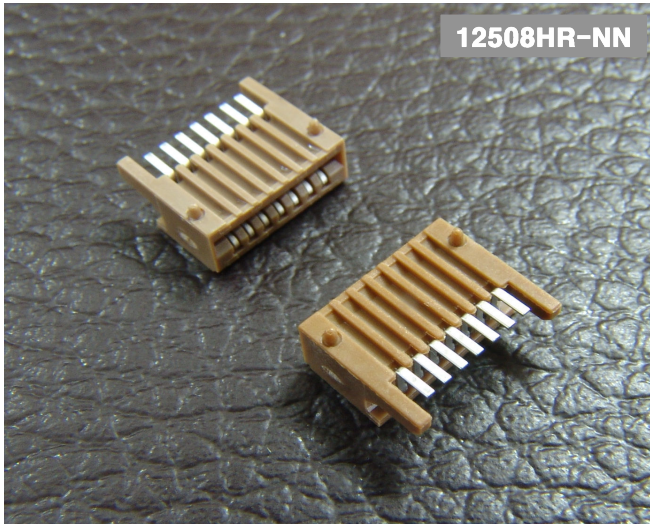


# 1.25mm

## (0.049") PITCH CONNECTOR



**12508HR-NN**

### Material

I/NO	DESCRIPTION	MATERIAL
1	HOUSING	PPS, UL94V-0
2	TERMINAL	Phosphor Bronze, Tin-plated

**FPC/FFC  
Connectors**

### Housing

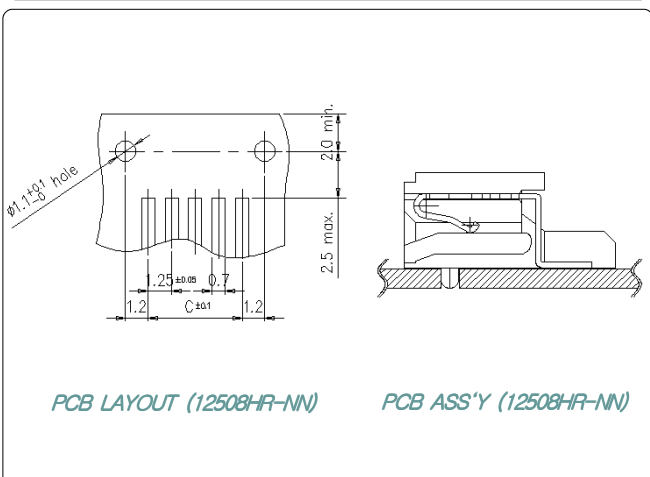
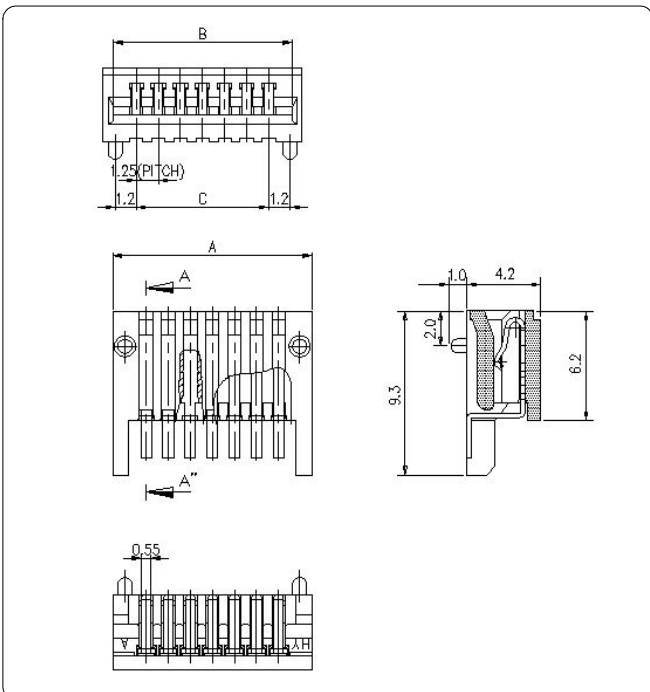
SMT  
Type

Non-ZIF  
Type

Top  
Contact

### Available Pin

PARTS NO.	A	B	C
12508HR-04	7.50	6.35	3.75
12508HR-05	8.75	7.60	5.00
12508HR-06	10.00	8.85	6.25
12508HR-07	11.25	10.10	7.50
12508HR-08	12.50	11.35	8.75
12508HR-09	13.75	12.60	10.00
12508HR-10	15.00	13.85	11.25
12508HR-11	16.25	15.10	12.50
12508HR-12	17.50	16.35	13.75
12508HR-13	18.75	17.60	15.00
12508HR-14	20.00	18.85	16.25
12508HR-15	21.25	20.10	17.50
12508HR-16	22.50	21.35	18.75
12508HR-17	23.75	22.60	20.00
12508HR-18	25.00	23.85	21.25
12508HR-19	26.25	25.10	22.50
12508HR-20	27.50	26.35	23.75
12508HR-21	28.75	27.60	25.00
12508HR-22	30.00	28.85	26.25
12508HR-23	31.25	30.10	27.50
12508HR-24	32.50	31.35	28.75
12508HR-25	33.75	32.60	30.00
12508HR-26	35.00	33.85	31.25
12508HR-27	36.25	35.10	32.50
12508HR-28	37.50	36.35	33.75
12508HR-29	38.75	37.60	35.00
12508HR-30	40.00	38.85	36.25



### Specification

ITEM	SPEC
Voltage Rating	AC/DC 250V
Current Rating	AC/DC 1A
Operating Temperature	-25°C~+85°C
Contact Resistance	30mΩ MAX
Withstanding Voltage	AC500V/1min
Insulation Resistance	500MΩ MIN
Applicable Wire	-
Applicable P.C.B	0.8 ~ 1.6mm
Applicable FPC/FFC	0.3±0.03mm
Solder Height	0.15mm
Crimp Tensile Strength	-
UL FILE NO	-