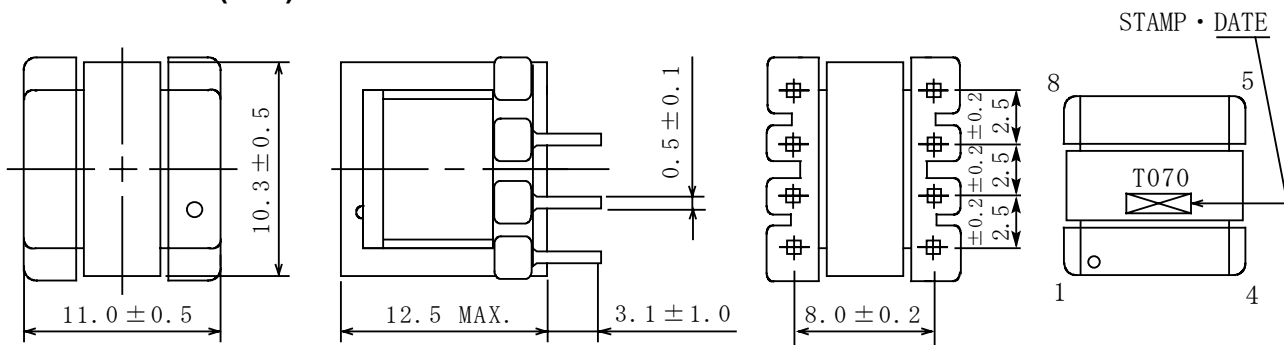
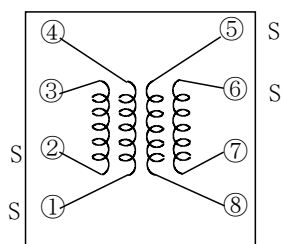


Type: EE1011
◆ Product Description

- 11.5×10.8mm Max.(L×W),12.5mm Max. Height.
- In addition to the typical parameters shown here, custom designs are available.


◆ Feature

- Pulse transformer.
- Ideally used in set-top box,FAX/MODEM and other related equipment.
- RoHS Compliance.

◆ Dimensions (mm)

◆ Schematics(Bottom)


"S" is winding start.

◆ Specification(4384T070)

		Specification	Measuring conditions
Inductance	(1.2-3.4)	$2.4 \mu\text{H} \pm 20\%$ Within	1 kHz, 1.0 V
D.C.R.	(1.2-3.4)	25 mΩ MAX.	25 °C
D.C.R.	(5.6-7.8)	25 mΩ MAX.	25 °C
HI-POT	(1.2)~(5.6)	500 V D.C.	1 mA, 1 S
HI-POT	(1.2),(5.6)~Core	500 V D.C.	1 mA, 1 S