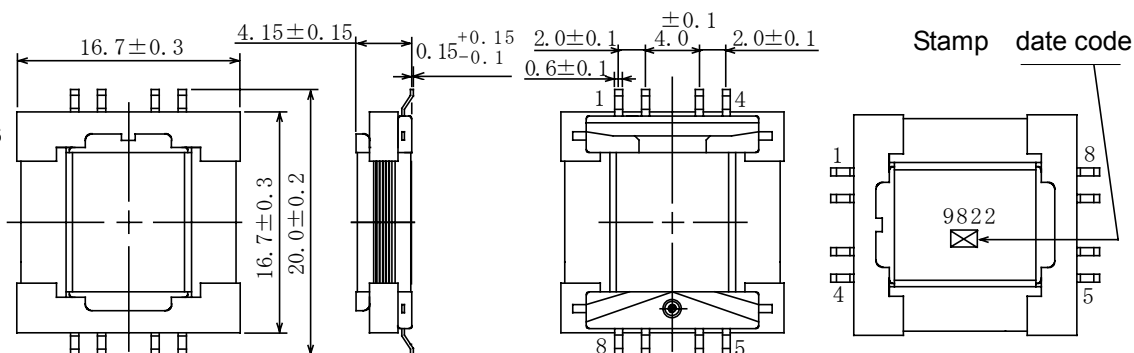
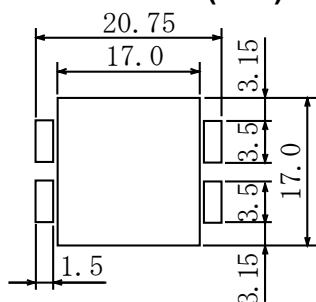
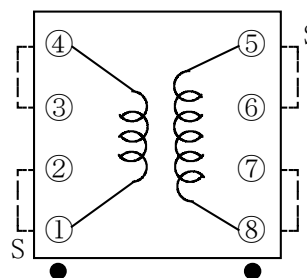


Type: CMT164B
◆ Product Description

- 12.9×10.0mm Max.(L×W),7.0mm TPY. Height.
- Operating frequency: 4MHz Max.
- Encapsulated SMT FAX/MODEM transformer.


◆ Feature

- International safety standard approved for reinforced isolation.
- Silicone Steel is used.
- Ideally used in set-top box,FAX,MODEM.
- RoHS Compliance.

◆ Dimensions (mm)

◆ Land Pattern (mm)

◆ Schematics(Bottom)

◆ Specification

		Measuring condition	
Impedance(5-8)	100Hz	1250Ω±10% Within	0.1V
	1kHz	1350Ω±10%Within	
	10kHz	1400Ω±10%Within	
D.C.R. (5-8)		190Ω±15%Within	at 25°C
D.C.R. (1-4)		27Ω±15%Within	
Insertion Loss		-9.5 dBm Min.	1kHz -22dBm
Ripple (100Hz~10kHz)		0±1.0dB Within	1kHz at 0dB
THD	100Hz	-45dB Max.	-22dBm
	1kHz,10kHz	-70dB Max	