

UNDER DEVELOPMENT

Type: CDH28D11/S

Product Description

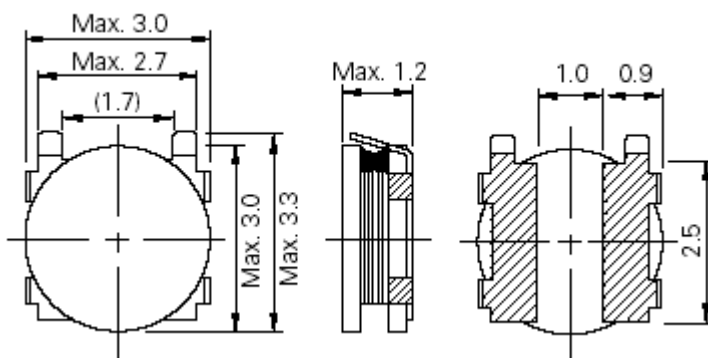
- 3.0 × 3.0mm Max.(L × W), 1.2mm Max. Height.
- Inductance range: 1.7 ~ 15 μ H.
- Rated current range: 0.36 ~ 1.2A.
- Custom design is available.



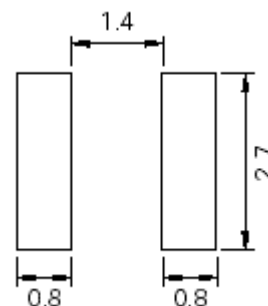
Feature

- Magnetically unshielded construction.
- Ideally used in Mobilephone,PDA,MP3,DSC/DVC,HDD,etc as DC-DC Converter inductors.
- Dropping impact reinforced types.
- RoHS Compliance

Dimensions (mm)



Land Pattern (mm)



Specification

Part Name	Stamp	Inductance (μ H) [Within] 100kHz/1V	D.C.R.() Max.(Typ.) (at 20)	Saturation Current (A) 1	Temperature Rise current (A) 2
CDH28D11SNP-1R7M	1R7	1.7 ± 20%	96m(77m)	1.30	1.20
CDH28D11SNP-2R2M	2R2	2.2 ± 20%	123m(115m)	1.15	1.05
CDH28D11SNP-3R3M	3R3	3.3 ± 20%	163m(130m)	930m	820m
CDH28D11SNP-4R7M	4R7	4.7 ± 20%	238m(190m)	750m	680m
CDH28D11SNP-6R8M	6R8	6.8 ± 20%	294m (235m)	650m	580m
CDH28D11SNP-100M	100	10 ± 20%	431m(345m)	530m	480m
CDH28D11SNP-150M	150	15 ± 20%	654m(523m)	430m	360m

Description of part name

CDH28D11SNP-1R7M
 _____ B Box
 _____ C Carrier Tape

1.Saturation Current: The DC current at which the inductance decreases to 70% of it's nominal value.

2 Temperature rise current: The DC current at which the temperature rise is t = 40 .(Ta = 20)

This datasheet is not a final issue, and maybe something will be changed before production.