

SOP-8



**Pin Definition:**

- |                 |                |
|-----------------|----------------|
| 1. Input        | 8. Output      |
| 2. N/C          | 7. Watchdog    |
| 3. Reset Output | 6. Radj        |
| 4. Ground       | 5. Reset Delay |

### General Description

TS4268 is a low dropout voltage regulator. The maximum input voltage is 45 V. It can deliver an output current of at least 180mA. TS4268 is short circuit proof and features temperature protection that disables the circuit in the event of impermissibly high temperatures. The watchdog function is disabled as a function of the load, so that a controller is not interrupted during sleep mode by a watchdog reset.

### Application Description

TS4268 regulates an input voltage in the range 5.5V ~ 45V. In the event of an output voltage  $V_{out} < V_{RT}$ , a reset signal is generated. The wiring of the reset switching threshold input enables the value of  $V_{RT}$  to be reduced. The reset delay time can be adjusted using an external capacitor. The integrated watchdog monitors the connected active controller. If there is no positive going edge at the watchdog input, the reset output is set to low. The reset delay capacitor provides a wide adjustment range for the pulse repetition time. The watchdog function is only activated if the load exceeds 8mA. This ensures that a microcontroller is not activated during power-down and the current drain is not increased.

### Features

- Output voltage tolerance  $< \pm 2\%$
- Very low current consumption
- Low-drop voltage
- Watchdog
- Settable reset threshold
- Over temperature protection
- Reverse polarity protection
- Short-circuit proof
- Suitable for use in automotive electronics
- Wide temperature range

### Ordering Information

Part No.	Package	Packing
TS4268CS50 RL	SOP-8	2.5Kpcs/ 13" Reel

### Pin Description

Pin No.	Symbol	Pin Description
1	IN	<b>Input Voltage.</b> block to ground directly with ceramic capacitor
2	N/C	Not Connected
3	RO	<b>Reset Output.</b> the open collector output is connected to the 5V output via an integrated resistor of 30kΩ
4	GND	<b>Ground</b>
5	RD	<b>Reset Delay.</b> connect a capacitor to ground for delay time adjustment.
6	RADJ	<b>Reset Switching Threshold.</b> for setting the switching threshold, output to ground with voltage divider. If this input is connected to ground, the reset is triggered at an output voltage of 4.5V.
7	WI	<b>Watchdog Input.</b> positive-edge-triggered input for monitoring a microcontroller.
8	OUT	<b>Output Voltage.</b> block to ground with 22uF capacitor, ESR <3Ω

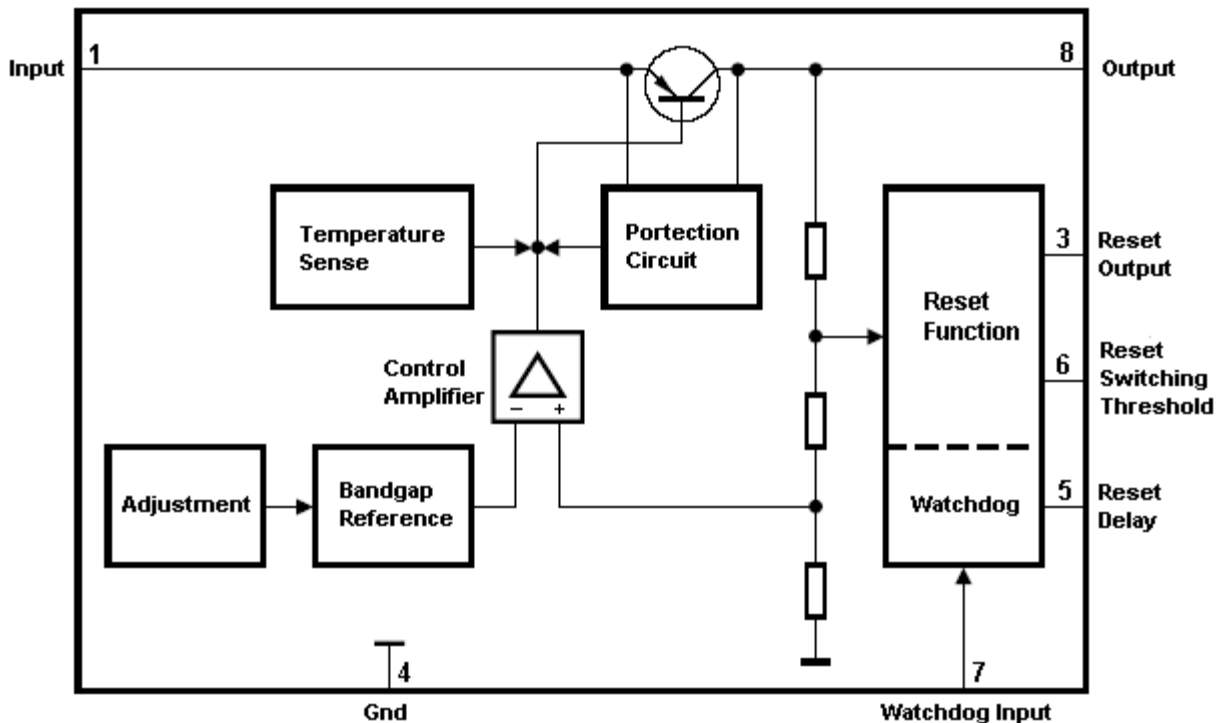
# TS4268

## 180mA Ultra Low Dropout Voltage Regulator with Reset & Watchdog Function

### Circuit Description

The control amplifier compares a reference voltage, which is kept highly accurate by resistance adjustment, to a voltage that is proportional to the output voltage and drives the base of the series transistor via a buffer. Saturation control as a function of the load current prevents any over-saturation of the power element. If the externally scaled down output voltage at the reset threshold input drops below 1.35V, the external reset delay capacitor is discharged by the reset generator. If the voltage on the capacitor reaches the lower threshold  $V_{ST}$ , a reset signal is generated on the reset output and not cancelled again until the upper threshold voltage is exceeded. If the reset threshold input is connected to GND, reset is triggered at an output voltage of 4.5V. A connected microcontroller is monitored by the watchdog logic. If pulses are missing, the rest output is set to low. The pulse sequence time can be set within a wide range with the reset delay capacitor. TS4268 is also incorporates a member of internal circuits for protection against:

- Over load
- Over temperature
- Reverse polarity



**Block Diagram**

# TS4268

## Preliminary

### 180mA Ultra Low Dropout Voltage Regulator with Reset & Watchdog Function

#### Absolute Maximum Ratings

Parameter	Symbol	min.	max.	Unit	Notes
<b>Input</b>					
Input voltage	V <sub>in</sub>	-30	45	V	
Input current	I <sub>in</sub>	Internally limited			
<b>Reset Output</b>					
Voltage	V <sub>res</sub>	-0.3	7	V	
Current	I <sub>res</sub>	Internally limited			
<b>Reset Delay</b>					
Voltage	V <sub>RD</sub>	-0.3	7	V	
Current	I <sub>RD</sub>	Internally limited			
<b>Watchdog</b>					
Watchdog input	V <sub>wi</sub>	-0.3	7	V	
<b>Reset Input</b>					
Reset threshold	V <sub>RT</sub>	-0.3	7	V	
<b>Output</b>					
Output voltage	V <sub>out</sub>	-0.3	7	V	
Output current	I <sub>out</sub>	Internally limited			
<b>Ground</b>					
Current	I <sub>q</sub>	-100	50	mA	
<b>Temperatures</b>					
Junction temperature	T <sub>j</sub>	-40	150	°C	
Storage temperature	T <sub>stg</sub>	-50	150		

#### Operation Range

Parameter	Symbol	min.	max.	Unit	Notes
Input voltage	V <sub>in</sub>	--	45	°C	
Junction temperature	T <sub>j</sub>	-40	150		

#### Thermal Resistance

Parameter	Symbol	min.	max.	Unit	Notes
Junction to ambient (soldered)	R <sub>θja</sub>	--	185	°C/W	(note 1)
Junction pin	R <sub>θjp</sub>	--	72		(note 2)

1. Package mounted on PCB 80 x 80 x 1.5mm<sup>3</sup>, footprint only, zero airflow.
2. Measure to pin 2

Operation at up to the maximum junction temperature of 150°C is possible in principle. Note, however, operation at the maximum permitted rating could be affected the reliability of the device.

#### Electrical Characteristics

( $V_{in}=13.5V$ ,  $-40 \leq T_j \leq 125^\circ C$ , unless otherwise specified.)

Parameter	Test Conditions	Min	Typ	Max	Unit
Output Voltage	$5mA \leq I_L \leq 150mA$ , $6V \leq V_{in} \leq 28V$	4.90	5.00	5.10	V
Current Limit	$V_{out}= 0$	180	250	--	mA
Quiescent Current	$I_q= 0mA$	--	300	400	$\mu A$
	$I_q= 100mA$	--	13	20	mA
Dropout Voltage (note 1)	$I_L=150mA$	--	250	500	mV
Line Regulation	$6V \leq V_{in} \leq 28V$ , $I_L=150mA$	--	10	30	mV
Load Regulation	$5mA \leq I_L \leq 150mA$	--	10	30	mV

#### Reset Function

Reset threshold		4.20	4.50	4.80	V
Reset adjust threshold		1.28	1.35	1.45	V
Reset low voltage	1mA external	--	0.20	0.50	V
Saturation voltage	$V_{out} < V_{RT}$	--	0.03	0.10	V
Charging current	$V_{RD} < 1.0V$	5	12	18	$\mu A$
Upper reset timing threshold		1.4	1.8	2.2	V
Reset delay time	$CRD = 100nF$	10	15	25	mS
Reset reaction time	$CRD = 100nF$	--	2	--	$\mu S$
Pull-up	With resp. to $V_{out}$	18	30	46	K $\Omega$
Lower reset timing threshold		0.20	0.40	0.55	V

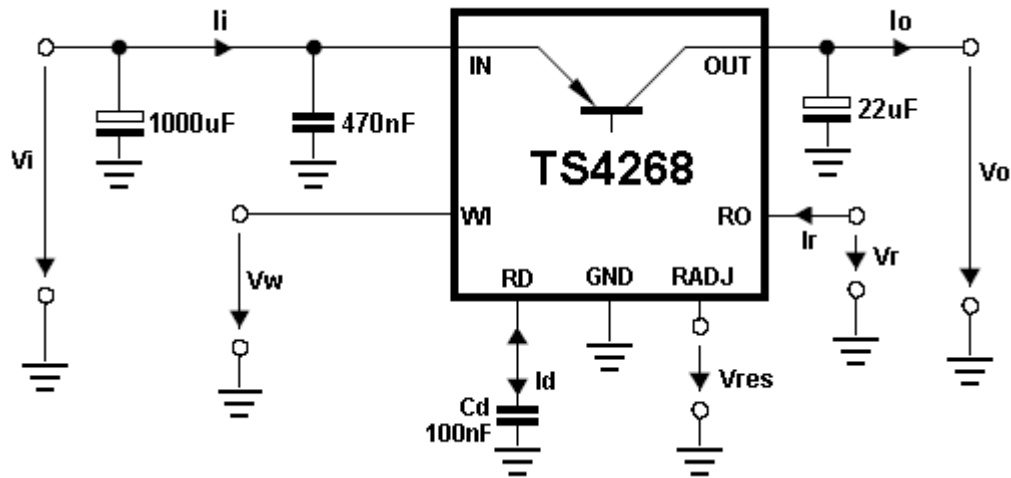
#### Watchdog Input

Discharge current	$V_{RD} < 1.0V$	1.5	3.5	5.2	$\mu A$
Charging current	$V_{RD} < 1.0V$	5	12	18	$\mu A$
Upper timing threshold		1.4	1.8	2.2	V
Lower timing threshold		0.20	0.40	0.55	V
Watchdog periode	$CRD = 100nF$	30	55	75	mS
Watchdog trigger time	$CRD = 100nF$	25	40	60	mS
Activating current	Activates watchdog	2	8	15	mA
Slew rate	from 20% up to 80% $V_{out}$	5	--	--	V/ $\mu s$

Note 1: Drop voltage =  $V_{in} - V_{out}$  (measured when the output voltage has dropped 100 mV from the nominal value obtained at 13.5 V input)

Note 2: The reset output is low in range from  $V_{out} = 1V$  to  $V_{out,rt}$ .

**Test Circuit**



**Reset Timing**

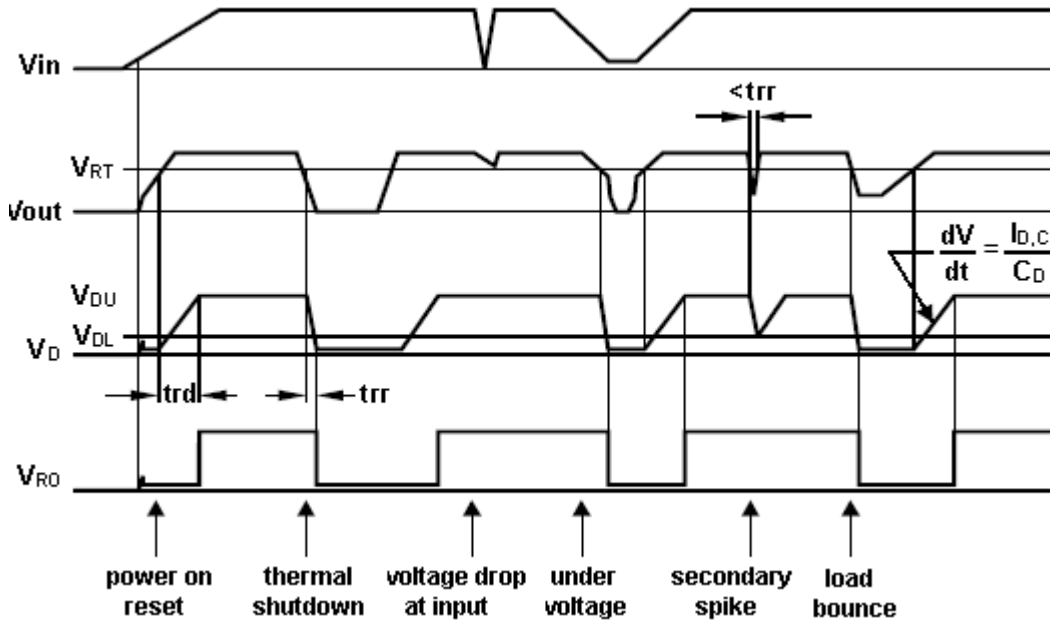
The power-on reset delay time is defined by charging time of an external capacitor  $C_D$  which can be calculated as follow:

$$C_D = (\Delta t_{rd} \times I_{D,C}) / \Delta V$$

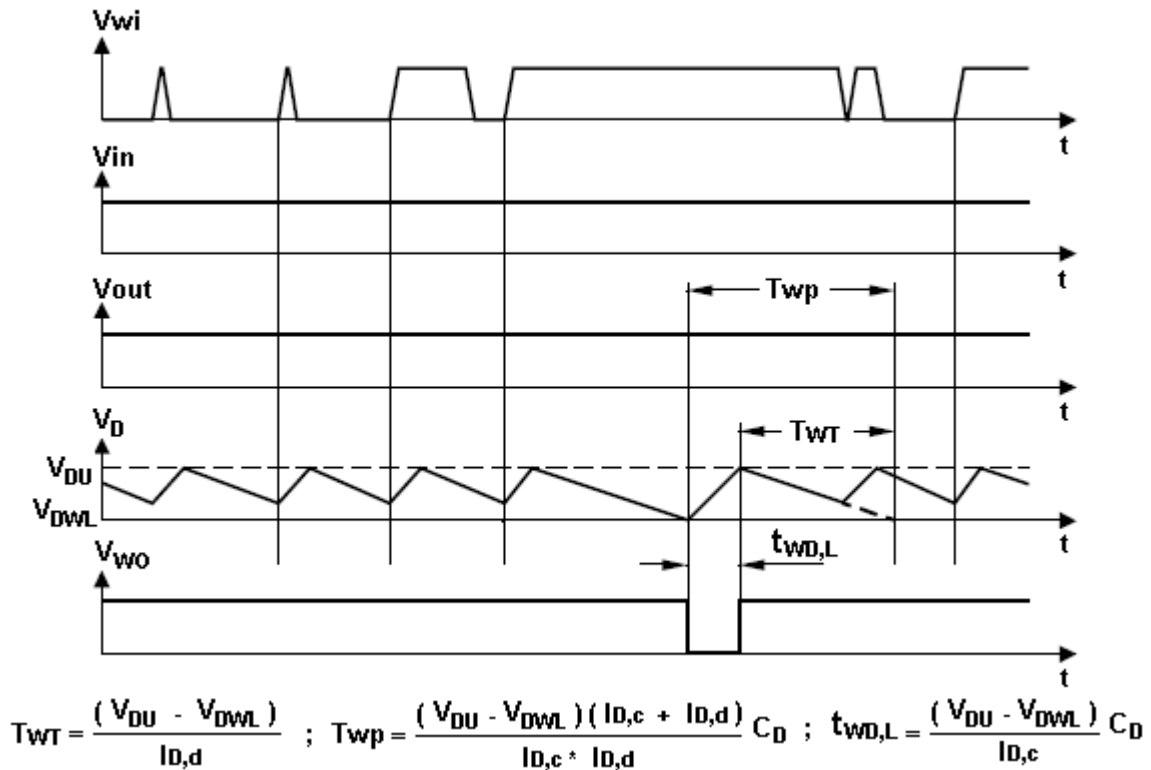
- Definitions:
- $C_D$  = delay capacitor
  - $\Delta t_{rd}$  = delay time
  - $I_{D,C}$  = charge current, typical 12uA
  - $\Delta V$  =  $V_{DU}$ , typical 1.8 V
  - $V_{DU}$  = upper delay switching threshold at  $C_D$  for reset delay time

The reset reaction time  $t_{rr}$  is the time it takes the voltage regulator to set the reset out LOW after the output voltage has dropped below the reset threshold. It is typically 1uS for delay capacitor of 47nF. For other values for  $C_D$  the reaction time can be estimated using the following equation:

$$T_{rr} \approx 20 \text{ s/F} \times C_D$$



**Timing (Watchdog Disabled)**



**Timing of the Watchdog Function**

**Preliminary** **TS4268**  
180mA Ultra Low Dropout Voltage Regulator  
with Reset & Watchdog Function

## Notice

Specifications of the products displayed herein are subject to change without notice. TSC or anyone on its behalf, assumes no responsibility or liability for any errors or inaccuracies.

Information contained herein is intended to provide a product description only. No license, express or implied, to any intellectual property rights is granted by this document. Except as provided in TSC's terms and conditions of sale for such products, TSC assumes no liability whatsoever, and disclaims any express or implied warranty, relating to sale and/or use of TSC products including liability or warranties relating to fitness for a particular purpose, merchantability, or infringement of any patent, copyright, or other intellectual property right.

The products shown herein are not designed for use in medical, life-saving, or life-sustaining applications. Customers using or selling these products for use in such applications do so at their own risk and agree to fully indemnify TSC for any damages resulting from such improper use or sale.