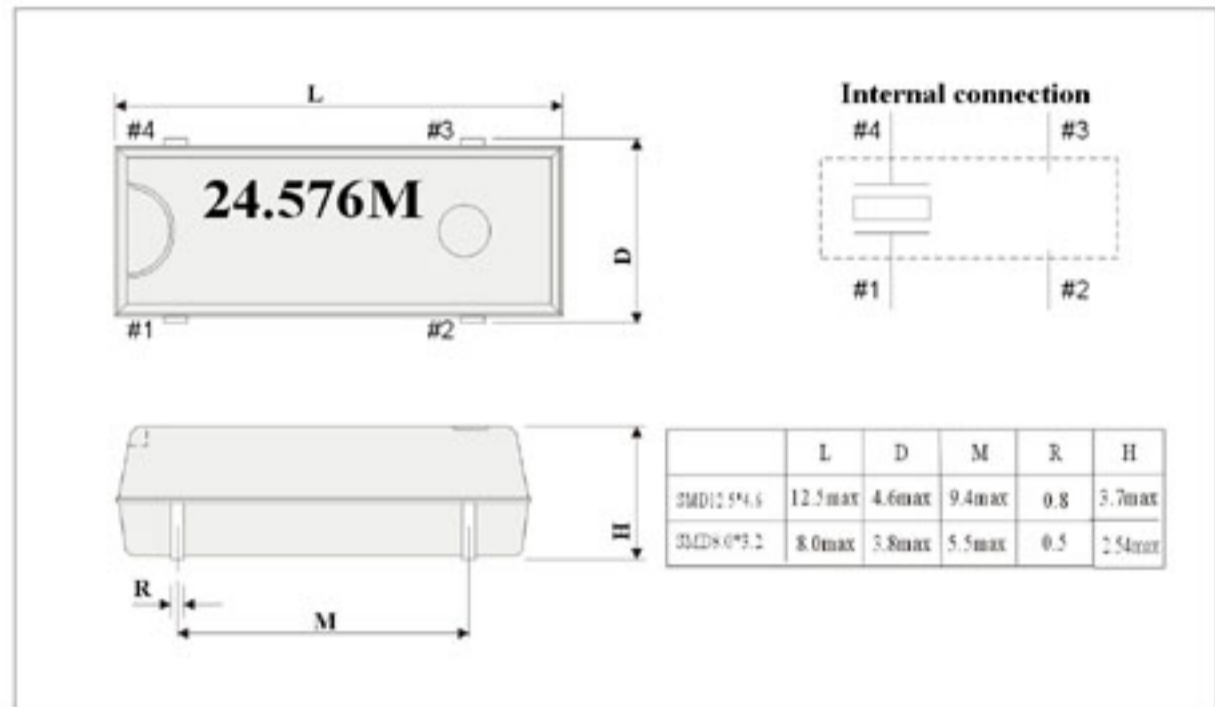


## QUARTZ CRYSTAL RESONATOR

## 石英晶体谐振器

SMD12.5 × 4.6

## DIMENSIONS (Unit: mm) 外形尺寸



© NOTICE: Do not connect #2 and #3 to external device.

## PART NUMBER GUIDE 部件号示例 e.g. FTX24.576MSM12 (\*SM12=SMD12.5×4.6)

	Quartz Crystal Resonator 石英晶体谐振器	Frequency 频率	Load Capacitance 负载电容	*Package Type 盒形
FT	X	24.576MHz	12.5	SM12

## PARAMETERS 技术参数

ITEM	SYMBOL	SPECIFICATIONS	REMARKS
Nominal Frequency 标称频率	f	3.579~27MHz	Stored as bare product after unpacking
Temperature Range 温度范围	Storage Temp. 储存温度	T <sub>STO</sub>	-55°C to +125°C
	Operating Temp. 工作温度	T <sub>OPR</sub>	-40°C to +85°C
Maximum Drive Level 测试激励电平	GL	1.0 μW max	
Frequency Tolerance (Standard) 调整频差	Δf/f	±15ppm ~ ±50ppm	Ta=+25°C DL=0.1 μW
Temperature Coefficient (Frequency) 二次温度曲线系数	a	-0.04×10 <sup>-6</sup> /°C <sup>2</sup> max	
Load Capacitance 负载电容	C <sub>L</sub>	12.5pF Std. 6pF to ∞	Please specify
Series Resistance 谐振电阻	R <sub>1</sub>	80Ω ~ 200Ω	
Motional Capacitance 动态电容	C <sub>1</sub>	16pF Typ.	
Shunt Capacitance 静态电容	C <sub>0</sub>	5.0pF Max	
Insulation Resistance 绝缘电阻	IR	500MΩ min	
Aging 年老化率	Fa	±5×10 <sup>-6</sup> /year max	Ta=+25°C ±3°C (FirstYear)

© Metal may be exposed on the top of this product. This won't affect any quality, reliability or electrical spec.

## Series Resistance 谐振电阻

Frequency(MHz)	频率范围	3.5≤f<4	4≤f<6	6≤f<10	10≤f<32	30≤f<36	36≤f<70
Series Resistance(Ω)	谐振电阻	200 Ω	150 Ω	100 Ω	50 Ω	100 Ω	80Ω