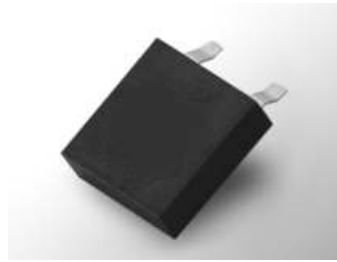


# Resonator SMD, 2 Pin

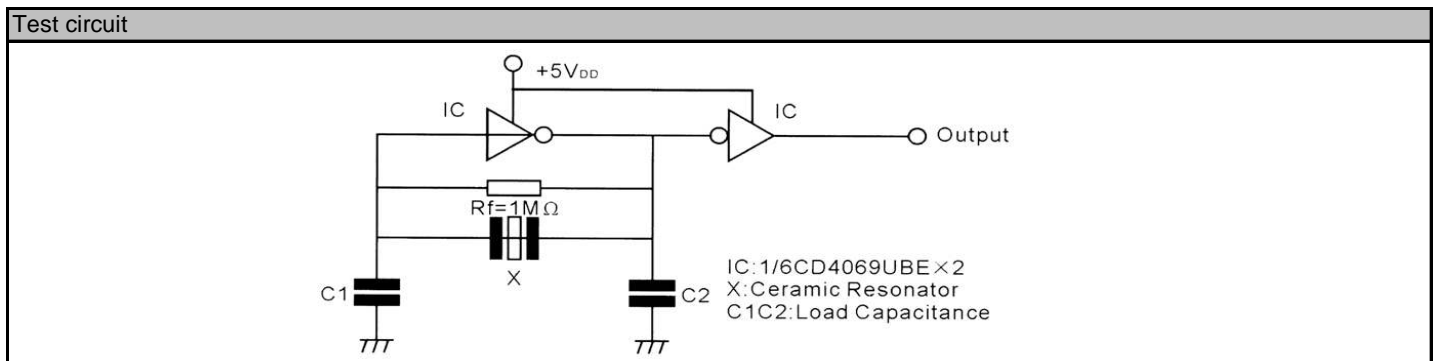
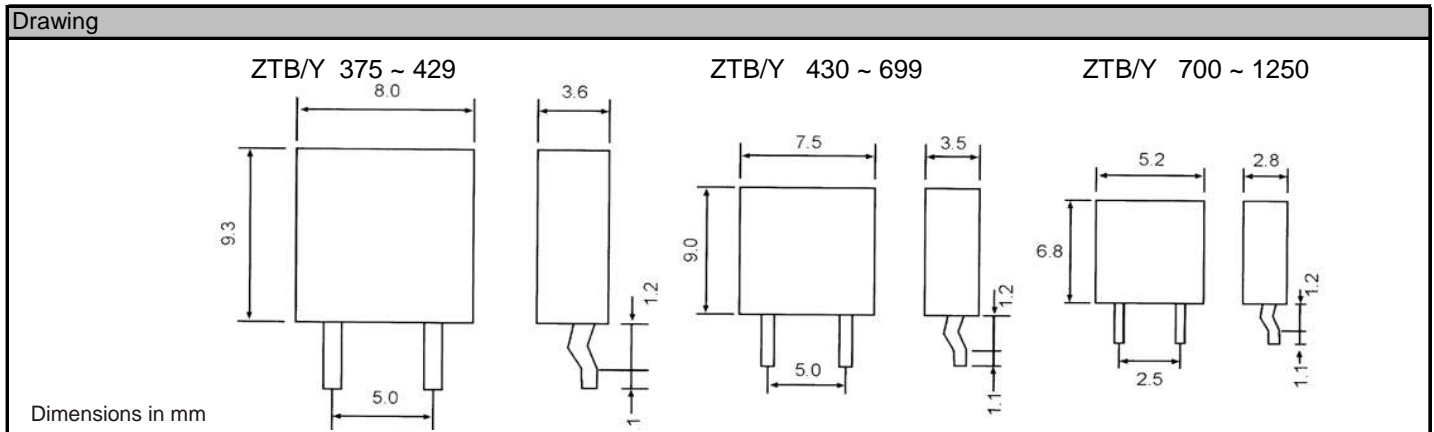
## ZTB/Y

### Features:

- Low cost
- Consumer electronics
- Microprocessor systems
- Automototive applications



Specifications		ZTB/Y			
Frequency range (kHz)		375 ~ 429	430 ~ 509	510 ~ 699	700 ~ 1250
Frequency accuracy (25°C)		+/-1kHz	+/-1kHz	+/-2kHz	+/-0.5%
Temp. stability (-20°C ~ +80°C)		+/-0.3%	+/-0.3%	+/-0.3%	+/-0.3%
Aging (over 10 years)		+/-0.3%	+/-0.3%	+/-0.3%	+/-0.3%
Capacitance (pF)	C1	120	100	100	100
	C2	470	470	100	100



Order key						
<b>R</b>	<b>- 450.00K</b>	<b>- ZTB/Y</b>	<b>- 2.0</b>	<b>- 0.3</b>	<b>- H</b>	<b>- 100/470</b>
<b>Part</b>	<b>Frequency</b>	<b>Type/Package</b>	<b>Frequency tolerance</b>	<b>Temperature tolerance</b>	<b>Temperature range</b>	<b>Load capacitance</b>
R=Resonator	K=KHz M=MHz	ZTB/Y series	+/-KHz or % (25°C)	+/-% (Temp. range)	H=-20°C ~ +80°C	pF C1/C2

Remarks: All specifications subject to change without notice!