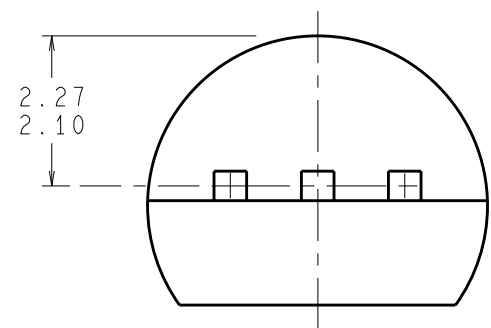
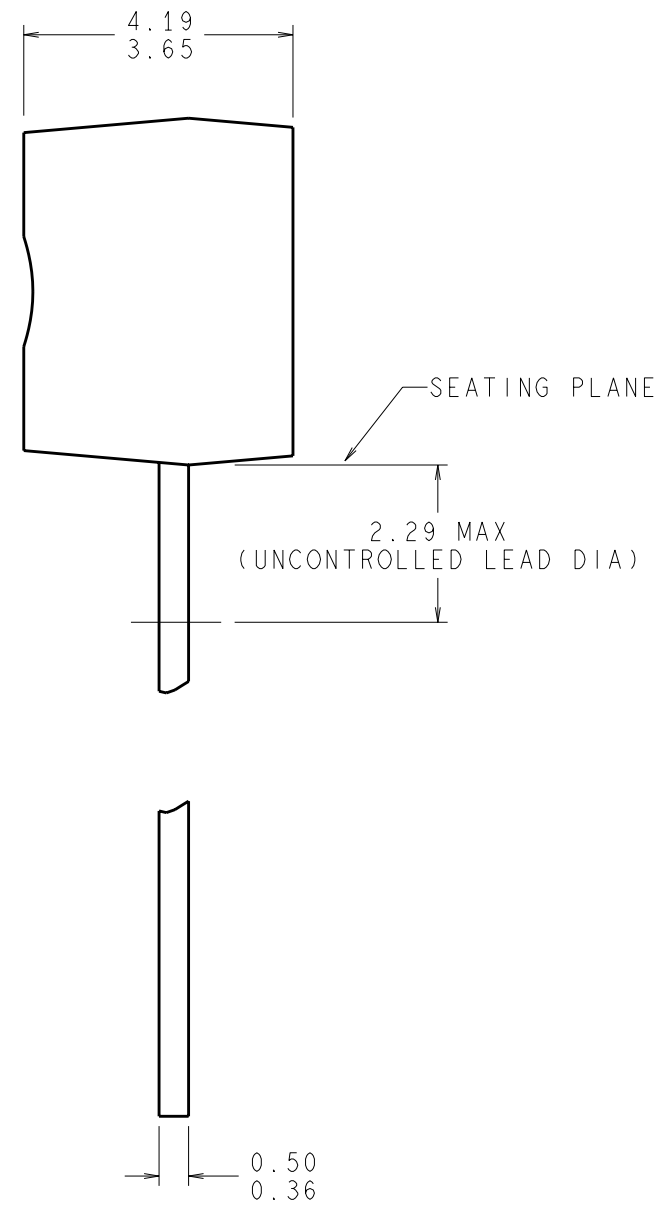
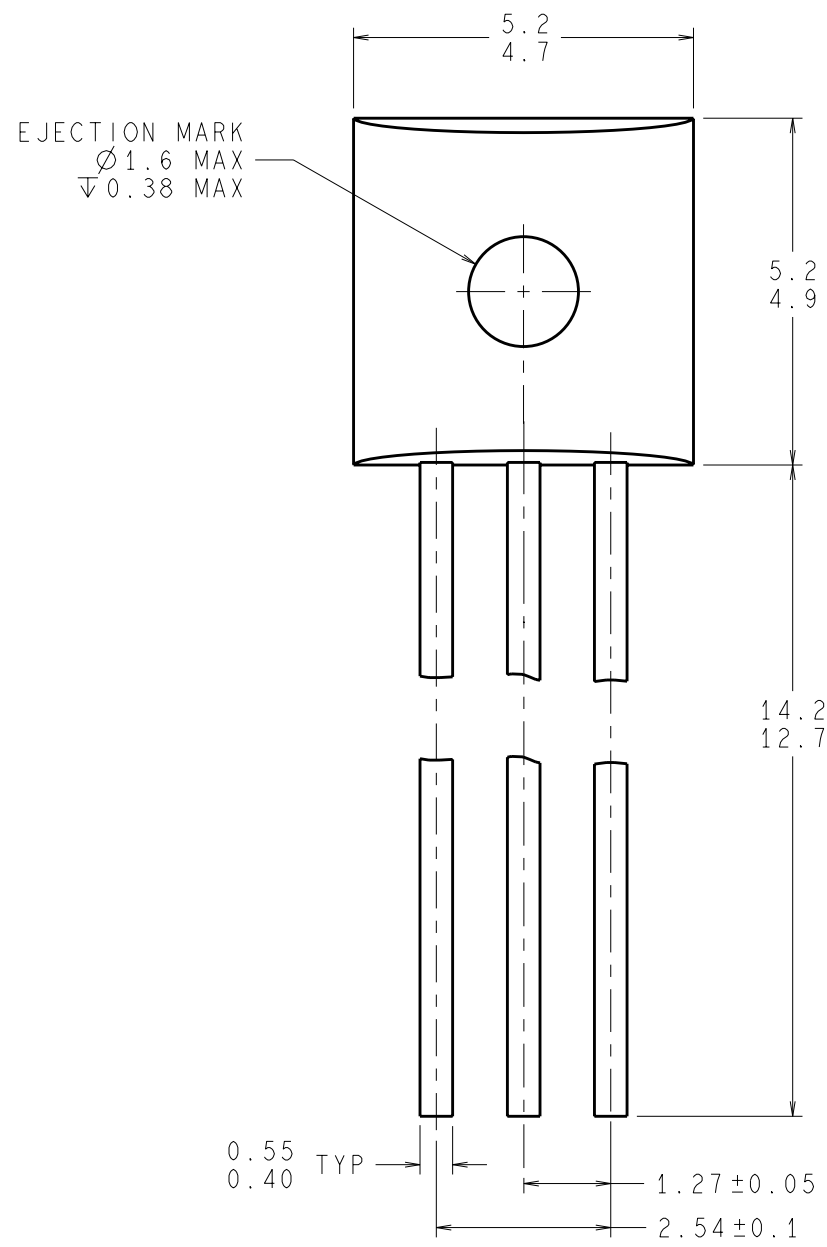


| REVISIONS | | | | |
|-----------|--|--------|------------|-----------|
| LTR | DESCRIPTION | E.C.N. | DATE | BY/APP'D |
| G | REDESIGN PKG CONFIGURATION. REDRAWN IN PRO/E. | 12514 | 09/06/2000 | NS/MS/JJY |



DIMENSIONS ARE IN MILLIMETERS

NOTES: UNLESS OTHERWISE SPECIFIED

- STANDARD LEAD FINISH:
LEAD/TIN 40/60 OVER COPPER A194 OR EQUIVALENT.
- REFERENCE JEDEC REGISTRATION TO-226, VARIATION AA.

| | | | | | |
|----------------------|---------------------|------------|--|----------------|-----|
| APPROVALS | | DATE | National Semiconductor | | |
| DRAWN | N. SANTHIRAN | 09/06/2000 | 2900 Semiconductor Dr., Santa Clara, CA 95052-8090 | | |
| DFTG. CHK. | MARTA SUCHY | 09/06/2000 | TO-92, MOLDED, 3 LEAD | | |
| ENGR. CHK. | JJ YEOH | 09/06/2000 | | | |
| PROJECTION | | SCALE | SIZE | DRAWING NUMBER | REV |
| | | N/A | C | (SC)MKT-Z03A | G |
| DO NOT SCALE DRAWING | | | | SHEET 1 of 1 | |