

STEERING DIODE ARRAY

APPLICATIONS

- ✓ USB Interface Ports
- ✓ Cellular Phones
- ✓ Set Top Box Interface
- ✓ Sensor Interface
- ✓ Video Interface Ports
- ✓ Handheld Electronics
- ✓ Desktop Computers
- ✓ Personal Digital Assistant (PDA)

IEC COMPATIBILITY (EN61000-4)

- ✓ 61000-4-2 (ESD): Air - 15kV, Contact - 8kV
- ✓ 61000-4-4 (EFT): 40A - 5/50ns

FEATURES

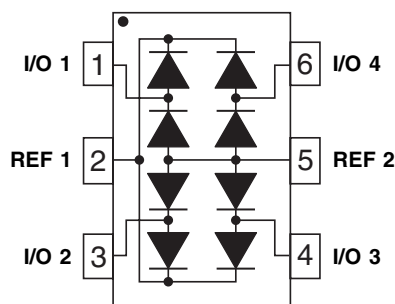
- ✓ ESD Protection > 25 kilovolts
- ✓ 500 Milliwatt Continuous Power Dissipation
- ✓ Provides Four (4) Lines of Protection
- ✓ Low Leakage Current < 1.0 μ A
- ✓ Ultra Low Capacitance: 5pF per Diode
- ✓ RoHS Compliant

MECHANICAL CHARACTERISTICS

- ✓ Molded JEDEC SOT-23-6 Package
- ✓ Weight 16 milligrams (Approximate)
- ✓ Available in Lead-Free Pure-Tin Plating(Annealed)
- ✓ Solder Reflow Temperature:
Pure-Tin - Sn, 100: 260-270°C
- ✓ Consult Factory for Leaded Device Availability
- ✓ Flammability Rating UL 94V-0
- ✓ 8mm Tape and Reel Per EIA Standard 481
- ✓ Marking: Marking Code & Pin One Defined By Dot on Top of Package



PIN CONFIGURATION



DEVICE CHARACTERISTICS

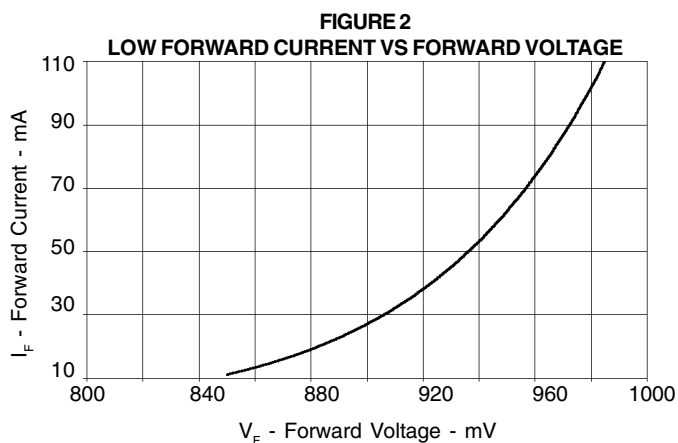
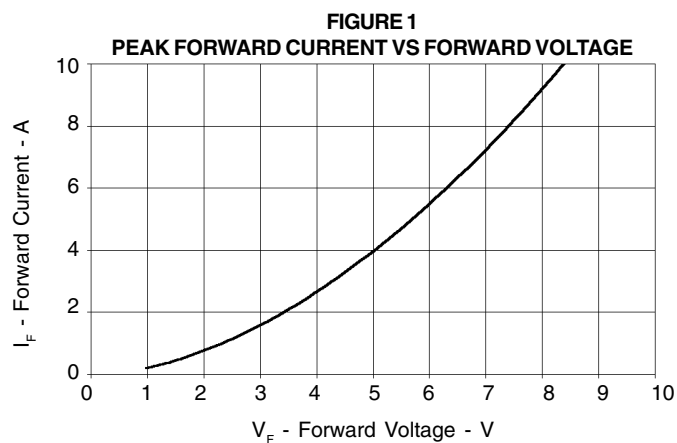
MAXIMUM RATINGS @ 25°C Unless Otherwise Specified

PARAMETER	SYMBOL	VALUE	UNITS
Operating Temperature	T_A	-55 to 150	°C
Storage Temperature	T_{STG}	-55 to 150	°C
Continuous Power Dissipation	P_{PC}	500	mW
Repetitive Peak Forward Current @ $t_p=5\mu s$, $F=50kHz$ (Pin 2-3)	I_{FRM}	700	mA

ELECTRICAL CHARACTERISTICS PER LINE @ 25°C Unless Otherwise Specified

PART NUMBER	DEVICE MARKING CODE	REPETITIVE PEAK REVERSE VOLTAGE @ 10 μA V_{RRM} VOLTS	MAXIMUM REVERSE LEAKAGE CURRENT (PER DIODE) V_{RRM} @ 5V I_R μA	TYPICAL FORWARD VOLTAGE @ 50mA V_F VOLTS	MAXIMUM CAPACITANCE (See Note 1) C_j pF
USB208	PSB	20	1	1.2	5

Note 1: Apply a 5V bias between pins 2 (REF 1) to pin 5 (REF 2). Measure C_j between any I/O pins to pin 5 (REF 2) and divide by two.



SOT-23-6 PACKAGE OUTLINE & DIMENSIONS

PACKAGE OUTLINE

SOT-23-6

PACKAGE DIMENSIONS

DIM	MILLIMETERS		INCHES	
	MIN	MAX	MIN	MAX
A	2.80	3.05	0.110	0.120
B	1.50	1.75	0.059	0.070
C	0.90	1.30	0.036	0.051
D	0.35	0.50	0.014	0.020
E	0.85	1.05	0.033	0.040
F	1.70	2.10	0.067	0.083
G	0.90	1.45	0.036	0.057
J	0.09	0.20	0.003	0.008
K	2.60	3.00	0.102	0.118
L	0.20 TYP	0.20 TYP	0.007 TYP	0.007 TYP
M	0.35	0.55	0.014	0.022

MOUNTING PAD

TYPICAL		
DIM	Millimeters	Inches
1	0.70	0.028
2	1.90	0.074
3	0.95	0.037
4	2.40	0.094
5	1.00	0.039

NOTES

1. Dimensioning and tolerances per ANSI Y14.5M, 1985.
2. Controlling Dimension: Inches
3. Dimensions are exclusive of mold flash and metal burrs.

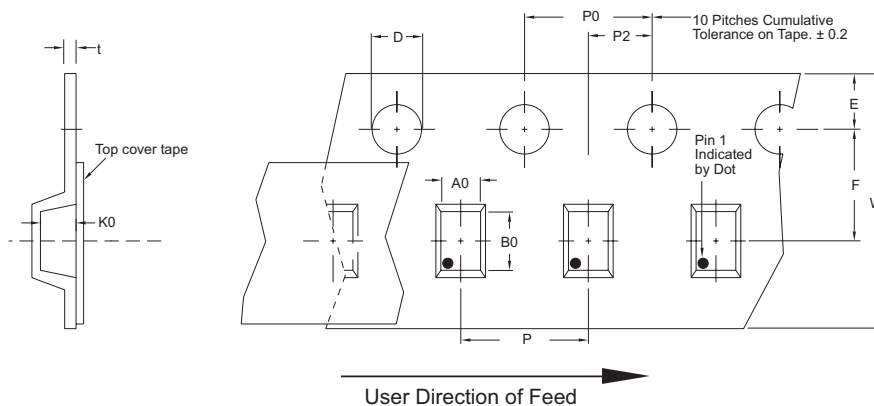
TAPE & REEL/BULK ORDERING NOMENCLATURE

1. Surface mount product is taped and reeled in accordance with EIA-481.
2. Suffix -T7 = 7 Inch Reel - 3,000 pieces per 8mm tape, i.e., *USB208-T7*
3. Suffix -LF = Lead-Free, Pure-Tin Plating, i.e., *USB208-LF-T7*.

Outline & Dimensions: Rev 2 - 10/05, 06013

Tape & Reel Specifications (Dimensions in millimeters)

Reel Dia.	Tape Width	A0	B0	K0	D	E	F	W	P0	P2	P	tmax
178mm (7")	8mm	3.20 ± 0.10	3.20 ± 0.10	1.65 ± 0.10	1.50 ± 0.10	1.75 ± 0.10	3.50 ± 0.05	8.00 ± 0.30	4.00 ± 0.10	2.00 ± 0.05	4.00 ± 0.10	0.25



COPYRIGHT © ProTek Devices 2007

SPECIFICATIONS: ProTek reserves the right to change the electrical and or mechanical characteristics described herein without notice (except JEDEC).

DESIGN CHANGES: ProTek reserves the right to discontinue product lines without notice, and that the final judgement concerning selection and specifications is the buyer's and that in furnishing engineering and technical assistance, ProTek assumes no responsibility with respect to the selection or specifications of such products.

ProTek Devices
 2929 South Fair Lane, Tempe, AZ 85282
 Tel: 602-431-8101 Fax: 602-431-2288
 E-Mail: sales@protekdevices.com
 Web Site: www.protekdevices.com