

T-52-33-47



**UM487**

PRELIMINARY

**HCGA CONTROLLER**

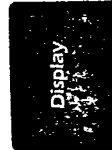
**Features**

- MGA (Hercules) and CGA compatible
- Built-in 6845 CRTC
- 64K Bytes of video memory
- Flicker-Free operation during CPU read/write
- Minimum circuit board space required
- Display mode changeable using hardware or software
- Optional primary printer port

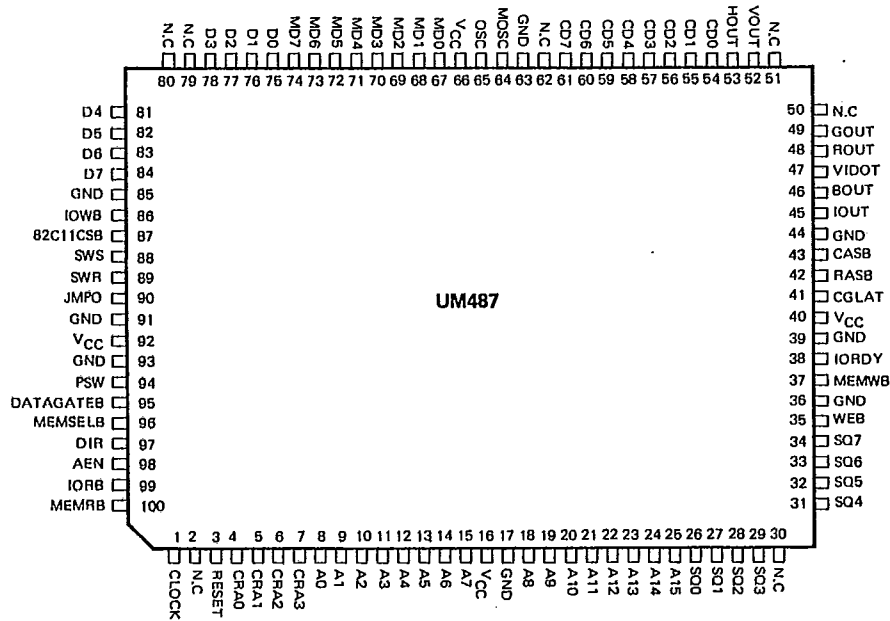
**General Description**

The UM487 single-chip HCGA controller is an advanced product designed to serve as a combination MGA and CGA through the integration of most of the circuits found on MGA and CGA cards. Built with the UMC 2µm CMOS process, the UM487 incorporates a built-in 6845 CRTC circuit. Thus, for MGA and CGA functions, only a few

external components are required to complete the circuits. These include: 64K bytes DRAM; 4 TTLs (74LS374, 74LS245 74LS04 and 74LS20); one character generator (UM2310) and a 16.257 MHz crystal. The UM487 comes packaged in a compact, 100-pin plastic flat pack.

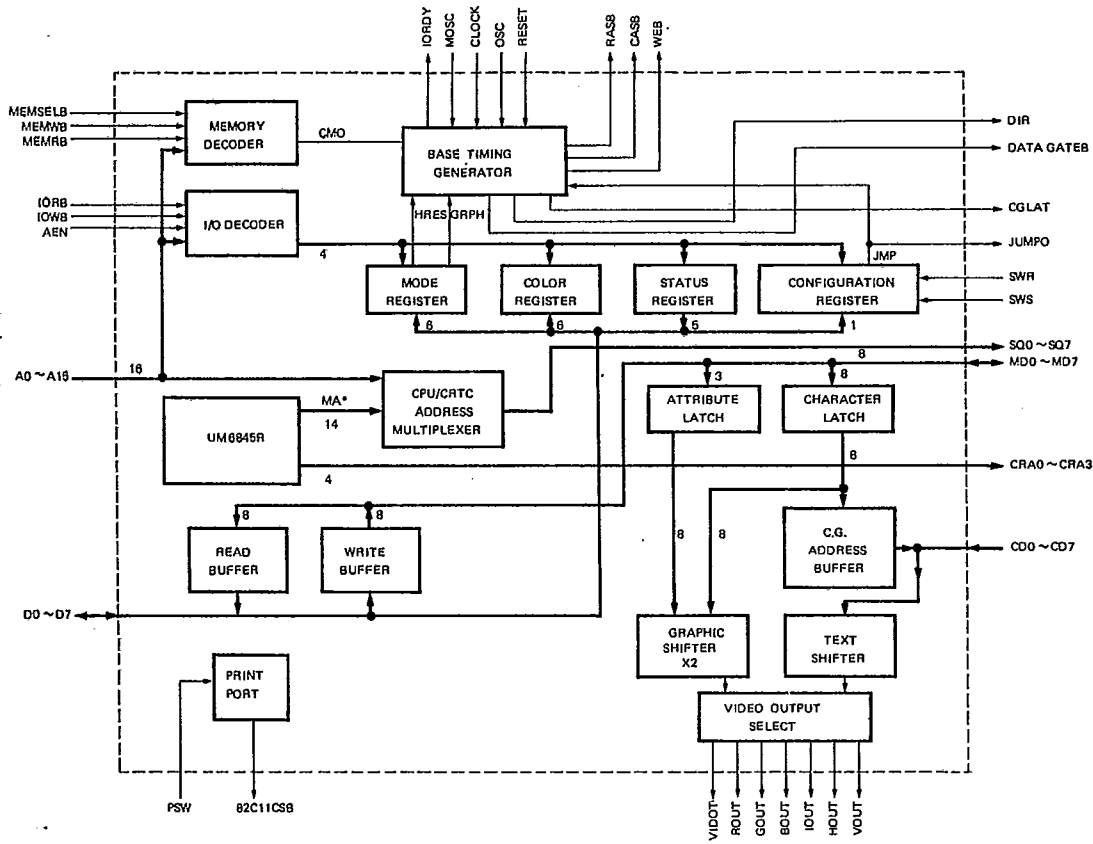


**Pin Configuration**





Block Diagram





**UM487**

**Absolute Maximum Ratings \***

Operating Temperature	0°C to 70°C
Storage Temperature	-55°C to 150°C
All Output Voltages	-0.5V to +7V
All Input Voltages	-0.5V to +7V
Supply Voltage V <sub>CC</sub>	0V to +7V
Power Dissipation	0.5W

**\*Comments**

Stresses above those listed under "Absolute Maximum Ratings" may cause permanent damage to the device. These are stress ratings only. Functional operation of this device at these or any other conditions above those indicated in the operational sections of this specification is not implied and exposure to absolute maximum rating conditions for extended periods may affect device reliability.

**DC Electrical Characteristics** (V<sub>CC</sub> = 5V ± 10%, T<sub>A</sub> = 0°C to 70°C)

Symbol	Parameter	Min.	Typ.	Max.	Unit	Condition
V <sub>IH</sub>	Input Voltage	2.0			V	
V <sub>IL</sub>				0.8	V	
V <sub>OH1</sub>	Output Voltage (for SQ0 ~ SQ7)	2.4			V	I <sub>OH</sub> = -6.0 mA
V <sub>OL1</sub>	IORDY, RASB, CASB, WEB)			0.4	V	I <sub>OL</sub> = +6.0 mA
V <sub>OH2</sub>	Output Voltage (other outputs)	2.4			V	I <sub>OH</sub> = -3.0 mA
V <sub>OL2</sub>					0.4	V
I <sub>IL</sub>	Input Leakage	-10		+10	μA	0 ≤ V <sub>in</sub> ≤ V <sub>CC</sub>
I <sub>OL</sub>	Output Leakage	-10		+10	μA	
I <sub>OP</sub>	Operating Current			+12	mA	

**AC Characteristics** (CGA MODE BASE CLOCK 14.318 MHz, MGA MODE BASE CLOCK 16.257 MHz)

**C-1 CPU Interface**

No.	Symbol	Parameter	Min.	Typ.	Max.	Unit
0	t <sub>DAC</sub>	DIR, DATAGATEB Active to CPU I/O or Memory Read/Write Cycle			25	ns
1	t <sub>ASI</sub>	Address Setup Time to IORB, IOWB	-30			ns
2	t <sub>DNC</sub>	DIR, DATAGATEB Non-active to CPU I/O or Memory Read/Write Cycle			20	ns
3	t <sub>IPW</sub>	IORB, IOWB Active Pulse Width	160			ns
4	t <sub>DOIR</sub>	Data Output Valid Time to IORB			20	ns
5	t <sub>DHIR</sub>	Data Output Valid Hold Time to IORB	30			ns
6	t <sub>DSIW</sub>	Data in Setup Time to IOWB	30			ns
7	t <sub>DHIW</sub>	Data in Hold Time to IOWB	10			ns
8	t <sub>ASM</sub>	Address Setup Time to MEMRB, MEMWB	0			ns
9	t <sub>AMD</sub>	Addr. Valid to MEMCSB Active Delay			15	ns
10	t <sub>MID</sub>	MEMRB, MEMWB Active to IORDY Low Delay			30	ns
11	t <sub>MWED</sub>	MEMWB Active to WEB Active Delay	10		2240	ns
12	t <sub>WDHD</sub>	Memory Write Data Hold Time to WEB	10			ns



T-52-33-47



UM487

C-1 CPU Interface (Continued)

No.	Symbol	Parameter	Min.	Typ.	Max.	Unit
13	t <sub>DORD</sub>	MEMRB Data Output Valid to IORDY	20	30		ns
14	t <sub>DOMR</sub>	MEMRB Data Output Valid Hold to MEMRB	20			ns

C-2 DRAM Interface

No.	Symbol	Parameter	Min.	Typ.	Max.	Unit
15	t <sub>RL</sub>	RASB Low Time		150		ns
16	t <sub>RH</sub>	RASB High Time		90		ns
17	t <sub>CL</sub>	CASB Low Time		90		ns
18	t <sub>CH</sub>	CASB High Time		60		ns
19	t <sub>RLCL</sub>	RASB $\downarrow$ to CASB $\downarrow$		60		ns
20	t <sub>CLRHL</sub>	CASB $\downarrow$ to RASB $\uparrow$		60		ns
21	t <sub>CHRL</sub>	CASB $\uparrow$ to RASB $\downarrow$		60		ns
22	t <sub>RSU</sub>	Row Address Setup Time to RASB $\downarrow$	0			ns
23	t <sub>RHL</sub>	Row Address Hold Time to RASB $\downarrow$	20			ns
24	t <sub>CSU</sub>	Column Addr. Setup Time to CASB $\downarrow$	0			ns
25	t <sub>CHL</sub>	Column Addr. Hold Time to CASB $\downarrow$	25			ns
26	t <sub>ACR</sub>	Access Time from RASB $\downarrow$			150	ns
27	t <sub>ACC</sub>	Access Time from CASB $\downarrow$			90	ns
28	t <sub>WCL</sub>	WEB Active before CASB $\downarrow$		40		ns
29	t <sub>WPW</sub>	WEB Active Pulse Width		90		ns
30	t <sub>RLW</sub>	RASB to WEB Active Hold		150		ns
31	t <sub>CAW</sub>	CASB to WEB Active Hold		60		ns
32	t <sub>WDSC</sub>	Write Data Setup Time to CASB $\downarrow$	0			ns
33	t <sub>WDHC</sub>	Write Data Hold Time to CASB $\downarrow$	45			ns
34	t <sub>WDHR</sub>	Write Data Hold Time to RASB $\downarrow$	110			ns
35	t <sub>DODC</sub>	Data Output Disable Time to CASB $\uparrow$	0			ns
36	t <sub>PCYC</sub>	Page Mode Read Cycle Time	150			ns

C-3 C. G. Interface

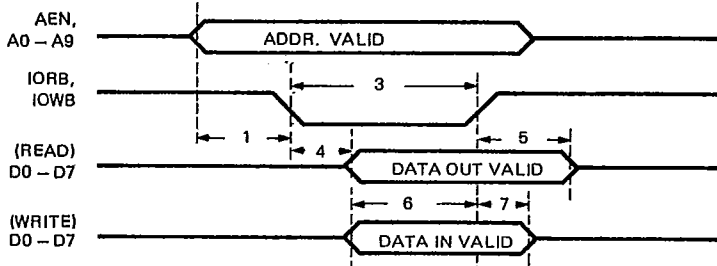
No.	Symbol	Parameter	Min.	Typ.	Max.	Unit
39	t <sub>CGCH</sub>	CGLAT $\uparrow$ to CASB $\uparrow$	5		10	ns
40	t <sub>CGAD</sub>	CGLAT to C. G. Address Valid Delay			10	ns
41	t <sub>ACC</sub>	C. G. Access Time			250	ns
42	t <sub>DOHA</sub>	Data Output Hold Time from Addr.	0			ns



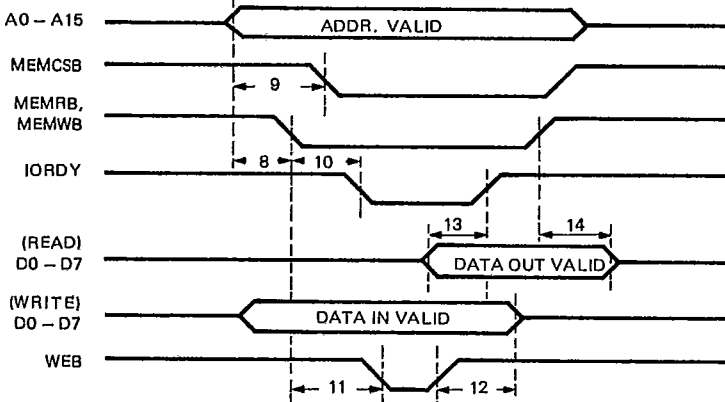
Timing Waveforms

CPU Interface Timing:

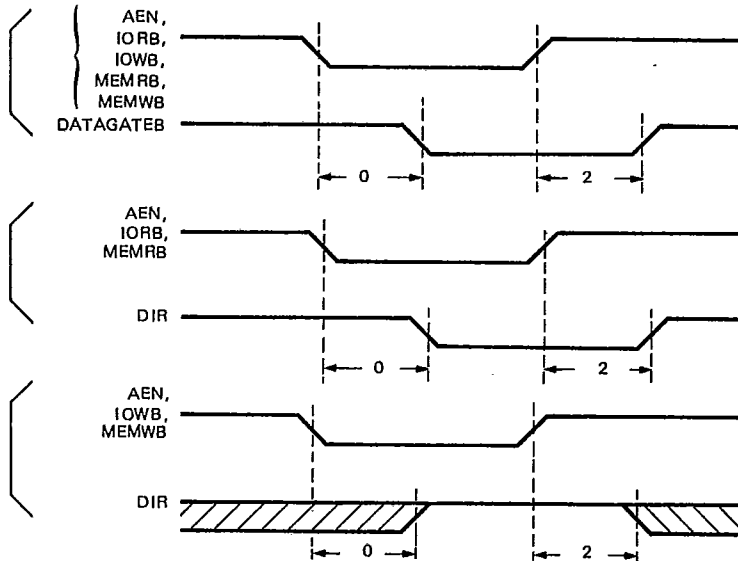
\*I/O Cycle



\*Memory Cycle



\* Bus Transceiver

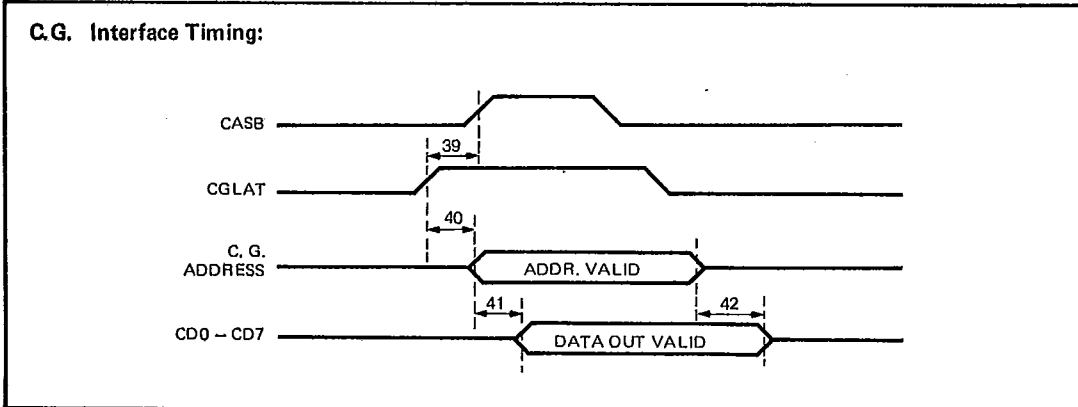
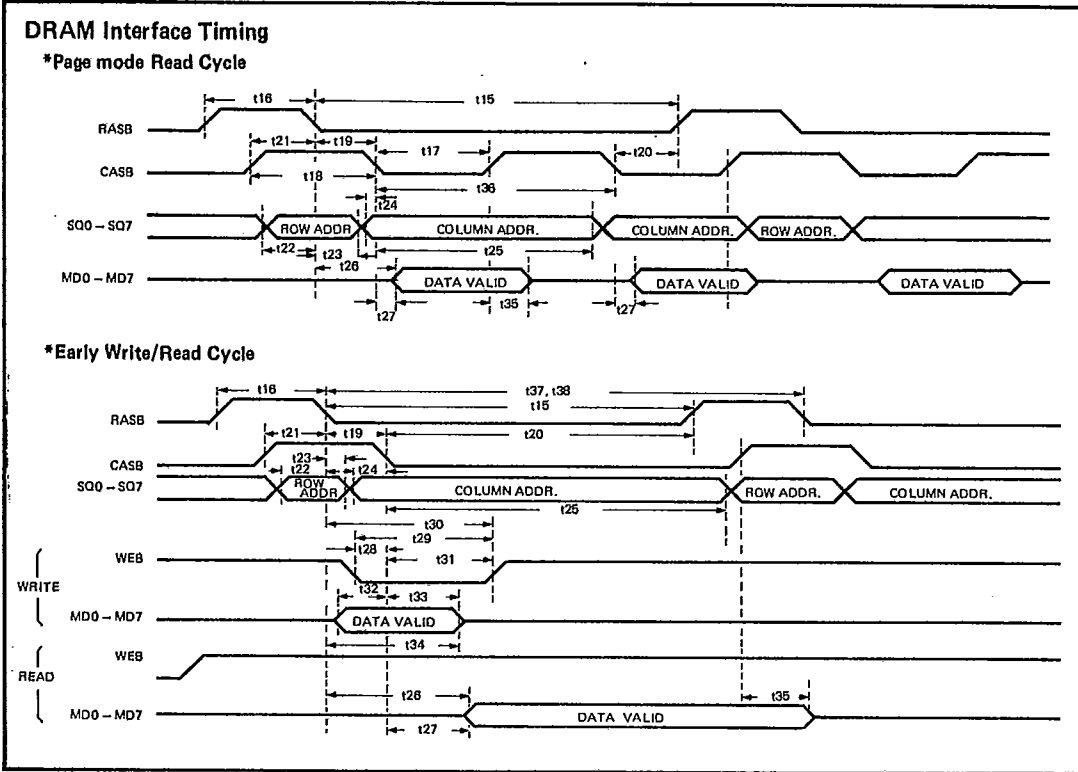


T-52-33-47



UM487

Timing Waveforms (Continued)





## Pin Description

Pin No.	Symbol	I/O	Description
1	CLOCK	I	CPU clock generates built-in 6845 enable signal
3	RESET	I	Chip reset signal, active high
4 ~ 7	CRA0 ~ CRA3	O	Internal 6845 scan line counter, CRA0 is LSB
8 ~ 15 18 ~ 25	A0 ~ A7 A8 ~ A15	I	CPU address bits 0~15, A0 is LSB A15 is MSB
26 ~ 29 31 ~ 34	SQ0 ~ SQ3 SQ4 ~ SQ7	O	Video memory (DRAM) address, SQ0 is LSB
35	WEB	O	Active low, video memory write strobe signal
37	MEMWB	I	Active low, CPU memory write signal
38	IORDY	O	Active high, informs CPU cycle is completed
41	CGLAT	O	Code data latch to C. G. during CGLAT rising edge
42	RASB	O	Video memory row address strobe signal
43	CASB	O	Video memory column address strobe signal
45	IOUT	O	Intensity signal output to RGB monitor
46	BOUT	O	Blue signal output to RGB monitor
47	VIDOT	O	Video dot stream output to monitor
48	ROUT	O	Red signal output to RBG monitor
49	GOUT	O	Green signal output to RBG monitor
52	VOUT	O	Vertical synchronous output to monitor
53	HOUT	O	Horizontal synchronous output to monitor
54 ~ 61	CD0 ~ CD7	I	Character Generator (C. G.) data bus, CD0 is first pixel
64	MOSC	I	MGA mode base clock input (16.257 MHz crystal)
65	OSC	I	CGA mode base clock input (14.318 MHz crystal)
67 ~ 74	MD0 ~ MD7	I/O	Video memory data bus, MD0 is LSB
75 ~ 78 81 ~ 84	D0 ~ D3 D4 ~ D7	I/O	Data bus, D0 is LSB
86	IOWB	I	Active low, CPU I/O write signal
87	82C11CSB	O	Active low, printer controller UM82C11 chip select
88	SWS	I	Active high, to select CGA mode
89	SWR	I	Active high, to select MGA mode
90	JMPO	O	Select CGA/MGA C. G. character font, '0' for MGA
94	PSW	I	Enables primary printer port while PSW is connected to UM82C11 CSB pin
95	DATAGATEB	O	Active low, enables external data transceiver 74LS245

Display



T-52-33-47

**UM487**

**Pin Description (Continued)**

Pin No.	Symbol	I/O	Description
96	MEMSELB	I	Active low to select video memory while CPU pins A19 ~ A16 are equal to '1011'
97	DIR	O	Controls external bus transceiver 74LS245 direction '0': from UM487 to CPU during IORB or MEMRB active '1': from CPU to UM487 during IOWB or MEMWB active
98	AEN	I	Active low to enable I/O address
99	IORB	I	Active low, CPU I/O read signal
100	MEMRB	I	Active low, CPU memory read signal
2, 30, 50 51, 62, 79, 80	N. C.	*	No connection
17, 36, 85 39, 44, 93 63, 91	GND	I	Ground
16, 40 66, 92	V <sub>CC</sub>	I	+5V power supply

\* For proper operation, these pins should not be connected.

**Register Description**

**A. Register:**

I/O Address		Read/Write	Function	Note
MGA	CGA			
3B4	3D4	W	6845 index register	refer to UM6845R
3B5	3D5	R/W	6845 data register	
3B8	3D8	W	Mode control register	
...	3D9	W	Color select register	
3BA	3DA	R	Status register	
3BB	3DB	W	Light pen reset register	
3B9	3DC	W	Light pen set register	
3BF		W	Configuration register	
3BC		R/W	Primary printer data register	refer to UM82C11
3BD		R	Primary printer status register	
3BE		R/W	Primary printer control word register	

'...' means not used





A-1 Status Register (37A)

Bit	Logic	MGA (3BA)	CGA (3DA)
0	0	Non-horizontal sync. period	Display active period
	1	Horizontal sync. period	Non-display period
1	0	Light pen reset	Light pen reset
	1	Light pen set	Light pen set
2	0	Light pen switch off	Light pen switch off
	1	Light pen switch on	Light pen switch on
3	0	Video dot off	Non-vert. sync. period
	1	Video dot on	Vertical sync. period
7	0	Vertical sync. period	---
	1	Non-vertical sync. period	---

Bits 4, 5 and 6 not used

A-2 Mode Controller Register (37B)

Bit	Logic	MGA (3B8)	CGA (3D8)
0	0	---	40*25 Text
	1	---	80*25 Text
1	0	Text	Text
	1	Graphic (while 3BF bit 0 = 1)	Graphic
2	0	---	Color mode
	1	---	Black/white
3	0	Disable video	Disable video
	1	Enable video	Enable video
4	0	---	320*200 Graphic
	1	---	640*200 Graphic
5	0	Disable blink	Disable blink
	1	Enable blink	Enable blink
6	0	Disable change mode	Disable change mode
	1	Enable change mode	Enable change mode
7	0	Page 0	---
	1	Page 1 (while 3BF bit 1 = 1)	---





T-52-33-47

UM487

**A-3 Color Select Register (3D9 CGA Only)**

Bit	Function
0	In 40*25 text, select blue of border color In 320*200 graphic, select blue of background color In 640*200 graphic, select blue of foreground color
1	In 40*25 text, select green of border color In 320*200 graphic, select green of background color In 640*200 graphic, select green of foreground color
2	In 40*25 text, select red of border color In 320*200 graphic, select red of background color In 640*200 graphic, select red of foreground color
3	In 40*25 text, select intensity of border color In 320*200 graphic, select intensity of background color In 640*200 graphic, select intensity of foreground color
4	Text mode background color or Graphic mode foreground color
5	Select foreground color pair (only 320*200 graphic)

Bits 6, 7 not used

**A-4 Configuration Register (3BF)**

Bit	Logic	Function
0	0	Disable MGA graphic
	1	Enable MGA graphic
1	0	Disable MGA page 1
	1	Enable MGA page 1
6	0	Select MGA mode (while 3D8 bit6 = 1)
	1	Select CGA mode (while 3B8 bit6 = 1)

Other bit not used

**A-5 Internal Registers of 6845 (Refer to UM6845R/RA/RB Data Sheet)**

Register No.	Function	Unit	Read/Write
R0	Horizontal total	Char.	W
R1	Horizontal display	Char.	W
R2	Horizontal sync. position	Char.	W
R3	Sync. pulse width	Char.	W
R4	Vertical total	Row	W
R5	Vertical total adjust	Line	W
R6	Vertical display	Row	W
R7	Vertical sync. position	Row	W
R8	Non-interlace mode	---	W
R9	Max. scan line	Line	W
R10	Cursor start	Line	W
R11	Cursor end	Line	W
R12	Start address (H)	---	W
R13	Start address (L)	---	W
R14	Cursor address (H)	---	R/W
R15	Cursor address (L)	---	R/W
R16	Light pen address (H)	---	R
R17	Light pen address (L)	---	R



**Functional Description**

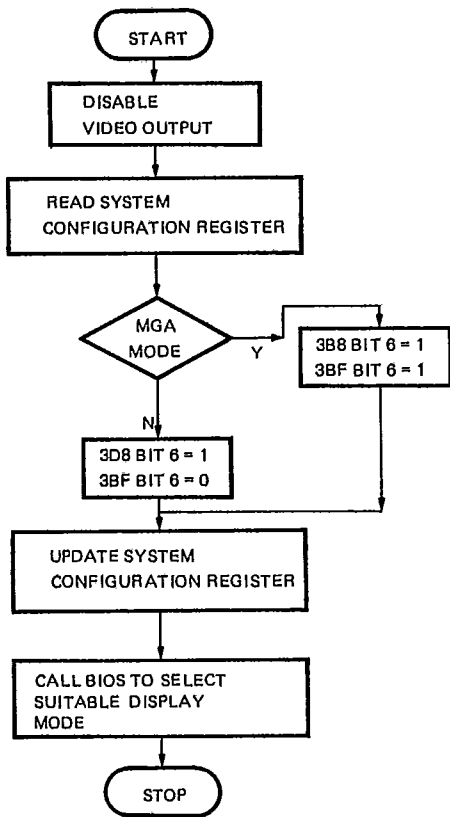
**B-1 By HARDWARE**

The MGA mode is selected when SW1 pin 2 is connected to pin 3, otherwise CGA mode is active if SW1 pin 2 is connected to pin 1.

**B-2 By SOFTWARE**

The software changes display mode only if SW3 pin 2 is connected to pin 3 and 378 bit 6 is equal to high, (where ? is D or B)

**Program Flowchart:**



**B-3 Program Listing**

```

NCOMN PROC NEAR
      ASSUME CS: CODE, DS: DATA, SS: STACK
      PUSH DS
      MOV AX, 0
      PUSH AX
      PUSH CS
      POP DS
      MOV AL, 20H
      MOV CX, 07D0H
      MOV BH, 0
      MOV BL, 07
      MOV AH, 09 ; clear video memory
      INT 10H
      MOV AH, 0FH ; read video state
      INT 10H
      CMP AL, 07 ; MGA mode?
      JZ MMM
      JMP CCC
MMM: MOV AL, 40H ; MGA mode
      MOV DX, 3B8H ; enable change mode
      OUT DX, AL
      MOV DX, 3BFH
      OUT DX, AL ; change to CGA mode
      MOV AX, 0
      MOV DS, AX
      MOV AL, [410] ; read BIOS configura-
                    ; tion register
      AND AL, CFH ; isolate bits 4, 5
      OR AL, 20H ; update BIOS con-
                    ; figuration register
      MOV [410], AL ; to CGA mode
      MOV AH, 0 ; select CGA
      MOV AL, 3
      INT 10H
      JMP END
CCC: MOV AL, 40H ; CGA mode
      MOV DX, 3D8H
      OUT DX, AL ; enable change mode
      MOV AL, 0
      MOV DX, 3BFH ; change to MGA mode
      OUT DX, AL
      MOV AX, 0
      MOV DX, AX
      MOV AL, [410]
      AND AL, CFH
      OR AL, 30H ; update BIOS con-
                    ; figuration register
      MOV [410], AL ; to MGA mode
      MOV AH, 0 ; select MGA
      MOV AL, 7
      INT 10H
      END: RET
      NCOMN ENDP
    
```

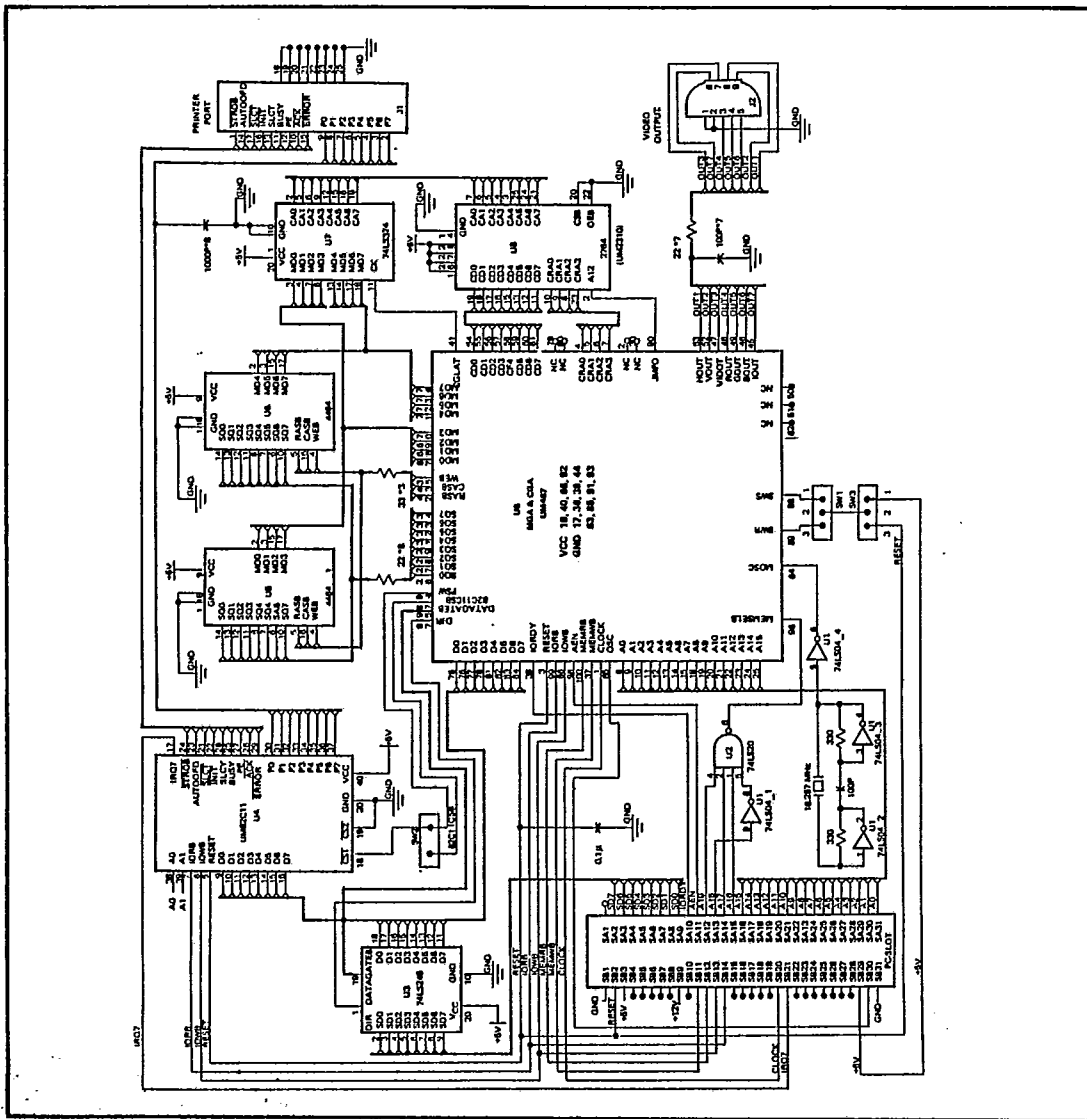




T-52-33-47

UM487

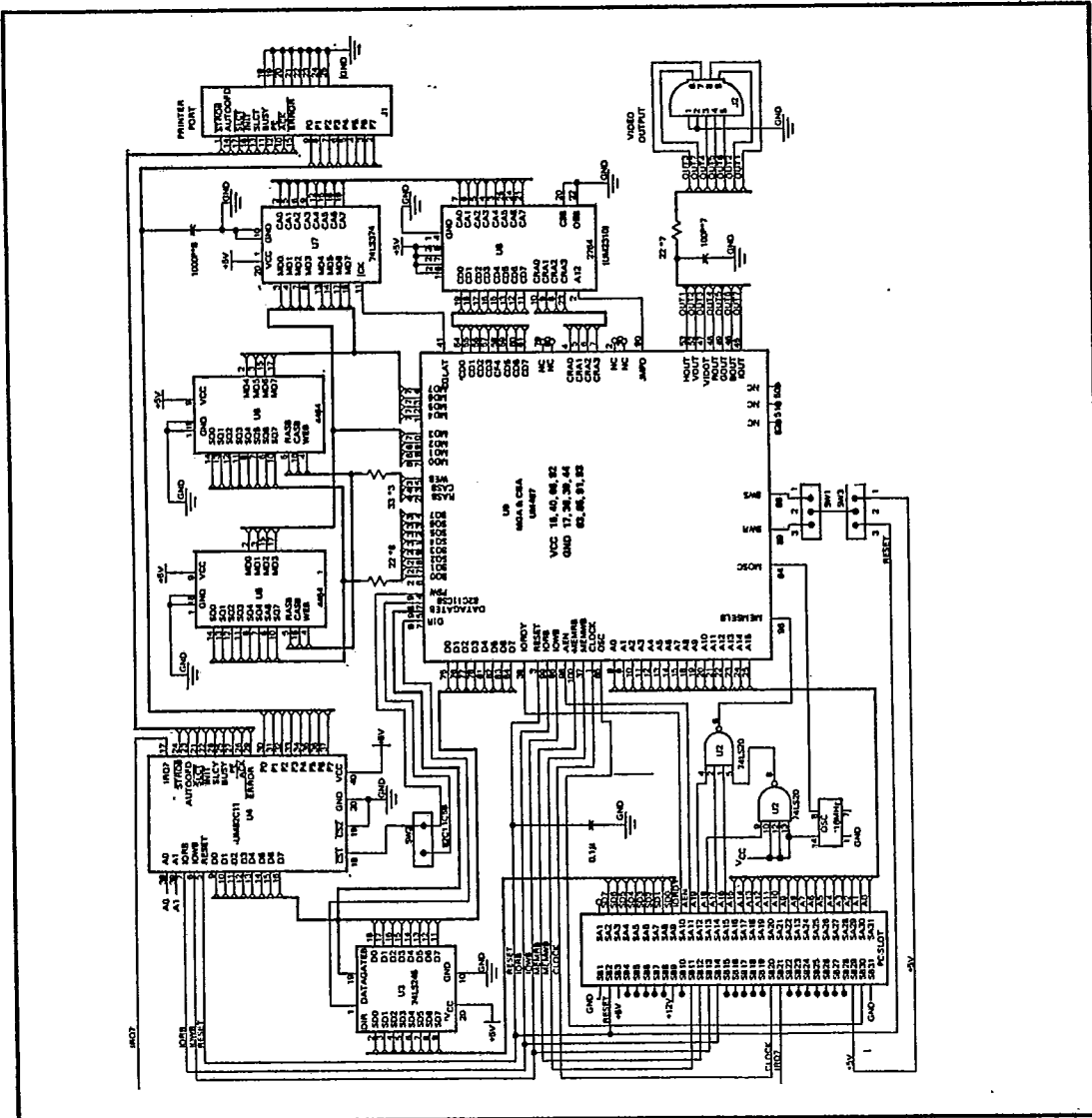
Application Circuits



1. The 74LS04 is used for crystal circuit
2. The 74LS20 decodes CPU A19 ~ A16 to generate MEMCSB while MGA or CGA video memory is selected
3. The 74LS245 is data transceiver between CPU and UM487
4. The 74LS374 latches code data to C. G. during text mode
5. SW1  $\overline{3} \overline{2} \overline{1}$  : MGA mode  
SW1  $\overline{3} \overline{2} \overline{1}$  : CGA mode
6. SW2 is connected while primary printer port is selected
7. SW3  $\overline{3} \overline{2} \overline{1}$  : Enable change mode by software  
SW3  $\overline{3} \overline{2} \overline{1}$  : Disable change mode by software



Application Circuits



1. 16 MHz osc for MGA mode
2. The 74LS20 decodes CPU A19 ~ A16 to generate MEMCSB while MGA or CGA video memory is selected
3. The 74LS245 is data transceiver between CPU and UM487
4. The 74LS374 latches code data to C. G. during text mode
5. SW1 321: MGA mode  
SW1 322: CGA mode
6. SW2 is connected while primary printer port is selected
7. SW3 321: Enable change mode by software  
SW3 322: Disable change mode by software



T-52-33-47

**UM487**

**Ordering Information**

Part No.	Package
UM487F	100 Pin QFP