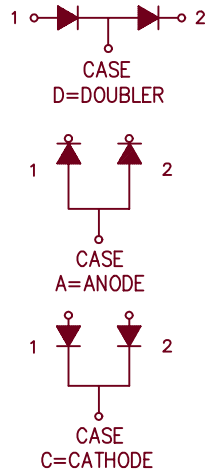
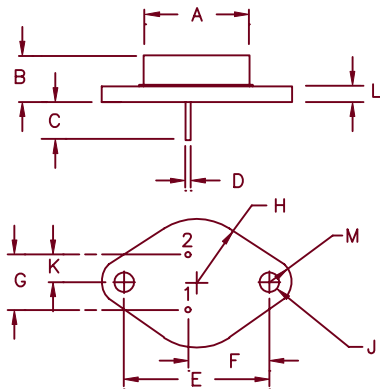


Ultra Fast Recovery Rectifiers UFT50



Dim.	Inches		Millimeter		Notes
	Minimum	Maximum	Minimum	Maximum	
A	—	.875	—	22.23	Dia.
B	.250	.450	6.35	11.43	
C	.312	—	7.92	—	
D	.038	.043	.97	1.09	Dia.
E	1.177	1.197	29.90	30.40	
F	.655	.675	16.64	17.15	
G	.420	.440	10.67	11.18	
H	—	.525	—	13.34	Rad.
J	.151	.161	3.84	4.09	Dia.
K	.205	.225	5.21	5.72	
L	—	.135	—	3.43	
M	—	.188	—	4.78	Rad.

TO-204AA (TO-3)

Microsemi Catalog Number	Working Peak Reverse Voltage	Peak Reverse Voltage
UFT5010*	100V	100V
UFT5015*	150V	150V
UFT5020*	200V	200V

* ADD D, C OR A

- Ultra Fast Recovery Rectifier
- 175°C Junction Temperature
- V_{RRM} 100 to 200V
- High Reliability
- 50 Amps current rating
- t_{RR} 35 nsec maximum

Electrical Characteristics Per Leg

Average forward current	$I_F(AV)$ 50A	Square wave
Case Temperature (Standard)	T_C 131°C	$R_{\theta JC} = 1.0^\circ C/W$
Case Temperature (Reverse)	T_C 102°C	$R_{\theta JC} = 1.5^\circ C/W$
Maximum surge current	I_{FSM} 500A	8.3 ms, half sine, $T_J = 175^\circ C$
Max peak forward voltage	V_{FM} 1.0V	$I_{FM} = 25A: T_J = 25^\circ C^*$
Max reverse recovery time	t_{RR} 35 ns	1/2A, 1A, 1/4A, $T_J = 25^\circ C$
Max peak reverse current	I_{RM} 1.0 mA	$V_{RRM}, T_J = 125^\circ C$
Max peak reverse current	I_{RM} 15 μA	$V_{RRM}, T_J = 25^\circ C$
Typical Junction Capacitance	C_J 225 pF	$V_R = 10V, f = 1Mhz, T_J = 25^\circ C$

*Pulse test: Pulse width 300 μsec , Duty cycle 2%

Thermal and Mechanical Characteristics

Storage temp range	T_{STG}	-65°C to 200°C
Operating junction temp range	T_J	-65°C to 175°C
Max thermal resistance (standard polarity)	$R_{\theta JC}$	1.0°C/W Junction to Case
Max thermal resistance (reverse polarity)	$R_{\theta JC}$	1.5°C/W Junction to Case
Typical thermal resistance (greased)	$R_{\theta CS}$	0.4°C/W Case to sink
Weight		1.0 ounces (28 grams) typical

UFT50

Figure 1
Typical Forward Characteristics – Per Leg

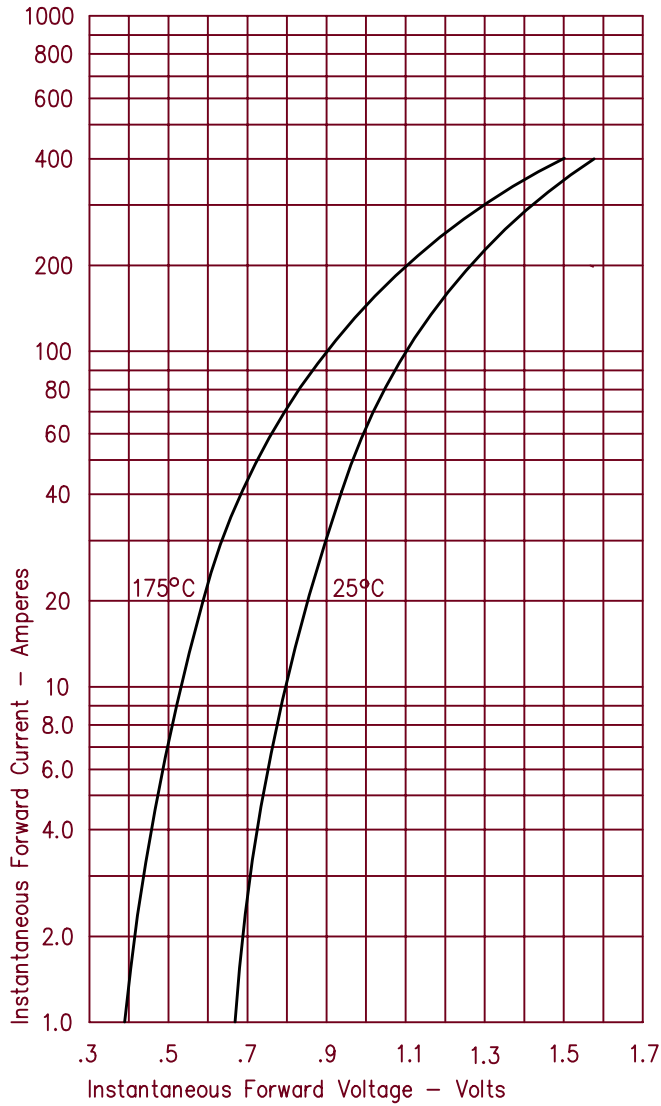


Figure 3
Typical Junction Capacitance – Per Leg

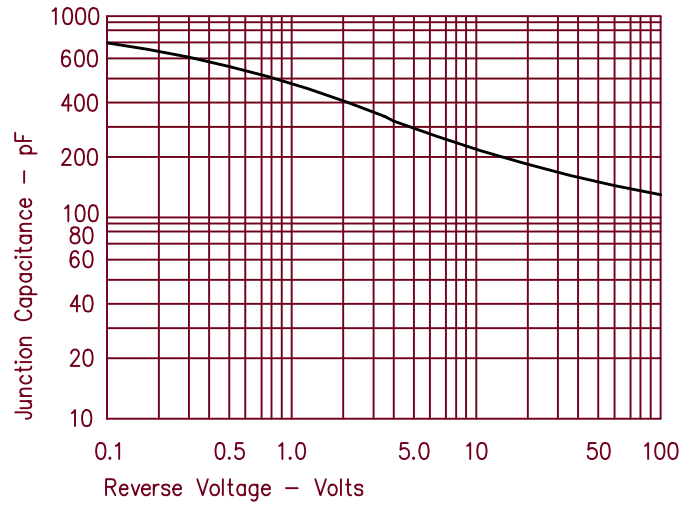


Figure 4
Forward Current Derating – Per Leg Standard Polarity

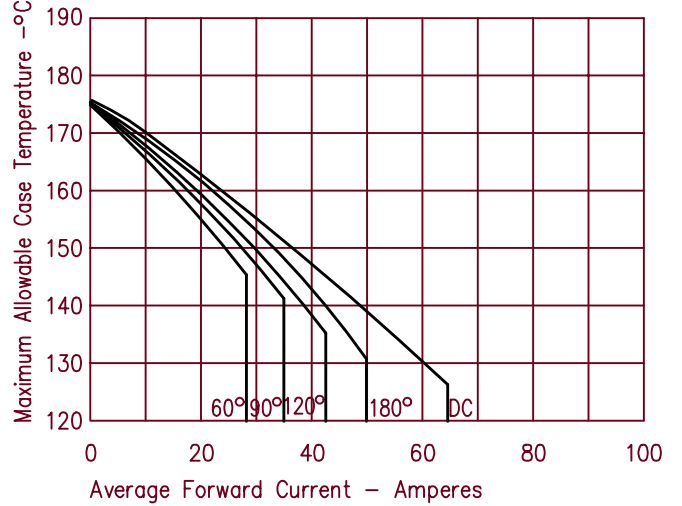


Figure 2
Typical Reverse Characteristics – Per Leg

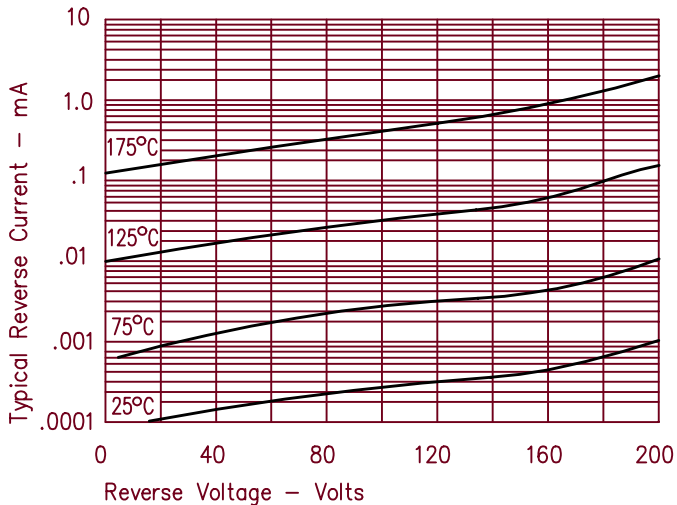


Figure 5
Max Forward Power Dissipation – Per Leg Standard Polarity

