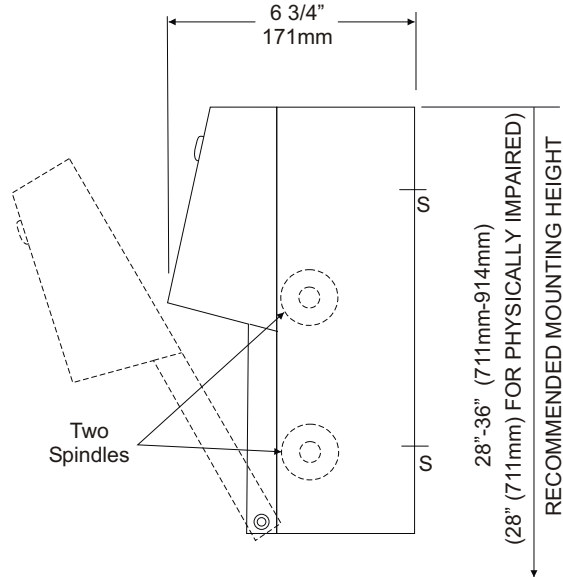
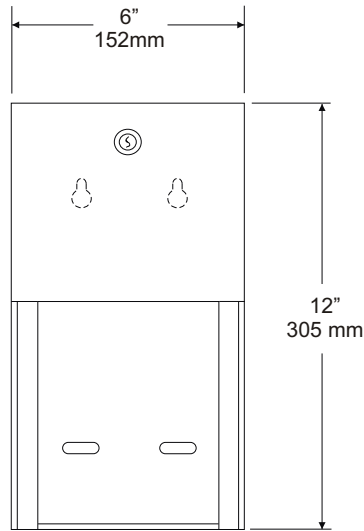


**U840A  
 TOILET TISSUE DISPENSER**

JOB #:

Item:

QTY:



**SPECIFICATIONS:**

**Body:** Fabricated of type 304 #22 ga stainless steel with #4 satin finish. Concealed inner dispensing mechanism is type 304 #18 ga stainless steel.

**Back:** Fabricated of type 304 #18 ga stainless steel with multiple welds to cabinet body forming a one piece construction.

**Hood:** Fabricated of type 304 #18 ga stainless steel finished to match cabinet body. Hood is secured with stainless steel hinge rivets to cabinet body. Top roll of tissue will not drop down unless the bottom roll has been depleted. When unit is closed, this will provide a theft resistant, non-control operation and reduce vandalism.

**Locks:** Pin tumbler, commercial quality locks keyed like all other A & J cabinets.

**Spindles:** (U005A) Fabricated of one-piece molded high impact black ABS material.

**Recommend:** Type CP801, CP802, CP807, CP808 or CP809 toilet tissue.

**Overall Size:** 6"W x 12"H x 6 3/4"D  
 152mm x 305mm x 171mm

**Capacity:** 2 Standard size rolls up to 5 3/4" diameter.  
*\*Sheet capacity may vary from roll to roll depending on the manufacturer and sheet style selected.*

**INSTALLATION:**

Provide an area on mounting surface at desired or specified location. Open cabinet, remove spindles and hold unit to wall at desired location. Transfer mounting points and drill pilot holes. Secure unit with proper fasteners per each application. Load toilet tissue on rollers, place in concealed track and close hood. Raise lower roll against upper and take hand away. Lower roll should fall into place with upper roll remaining up above the hood line. If loaded properly, top roll will not fall for use until bottom roll has been depleted. When servicing dispenser, full rolls must be used on both spindles to insure proper operation.

All toilet tissue dispensers that meet ADA code cannot have any type of control delivery. (4.16)

**APPLICATION:**

To provide a surface mounted stainless steel, hooded, dual roll toilet tissue dispenser that has a non-control delivery. When mounted properly, unit will comply with ADA Code 4.16.



Form: U840A/2000