

TSOT0410G4 SONET/SDH STS-192 Overhead and Path Processor

Features

General

- Section overhead (RSOH) and line overhead (MSOH) termination, and path overhead monitoring for one SONET STS-192 (SDH STM-64) or four STS-48 (STM-16) signals.
- Supports any valid combination of STS-1 and concatenated payloads from STS-3c to STS-192c.
- Microprocessor interface configurable to operate with most commercial microprocessors.
- *IEEE*® 1149.1 port with memory built-in self-test (BIST), scan, and boundary scan (JTAG).
- Low-power 2.5 V operation with 3.3 V (5 V tolerant) inputs and outputs.
- *EIA*®-644, *IEEE* 1596.3 compliant LVDS buffers*.
- 600-pin LPGA package.
- -40 °C to +85 °C temperature range.

STS-192/STM-64 (Line Interface)

- Provides a 16-bit (or 4 × 4-bit) wide, 622 MHz differential line interface.
- Synchronizes to the receive data frames and detects severely errored framing (SEF) and loss of frame (LOF). Also inserts the framing bytes (A1 and A2) in the transmit data.
- Supports enhanced framing (A1, $\overline{A1}$, A2, $\overline{A2}$).
- Performs frame-synchronous scrambling and descrambling of the STS-192/STS-48 data, and loss of signal (LOS) is detected.
- Extracts the 64-byte or 16-byte section trace message (J0) from the receive data and optionally stores it in, or compares it to, an internal register bank. Unstable or mismatched messages are detected, and path alarm indication signal (AIS) may be optionally inserted in the drop data.
- Optionally inserts a 64-byte or 16-byte section trace message or a fixed pattern in the J0 byte of the transmit data.

- Extracts and outputs, on a serial link, all transport overhead bytes in the receive data and inserts any, or all, transport overhead bytes in the transmit data using a corresponding serial input.
- Extracts and outputs, on serial links, the section user channel (F1), orderwire channels (E1, E2), and data communication channels (D1—D3 and D4—D12) for the receive data. Inserts corresponding serial input signals into the transmit data.
- Extracts, integrates, and stores the automatic protection switch (APS) channel bytes (K1, K2) for the receive data and detects protection switch failure alarms. Inserts APS bytes in the transmit data from internal registers or from add data overhead bytes.
- Detects line alarm indication signal (AIS) and remote defect indication (RDI) based on the K2 byte of the receive data. Inserts line AIS and RDI in the transmit data. Optionally inserts line RDI automatically due to LOS, LOF, or line AIS defects.
- Extracts, integrates, and stores the synchronization status byte (S1) for the receive data. Inserts the synchronization status byte into the transmit data from an internal register or from a value encoded on the transmit frame synchronous input.
- Calculates, detects, and counts section and line BIP-8 errors (B1, B2) for the receive data, and inserts BIP-8 in the transmit data. Supports either bit or block error accumulation of B1 errors (separately provisionable), and bit error accumulation of B2 errors.
- Extracts and counts line remote errors (REI) for the receive data (M1), and inserts REI in the transmit data based on B2 errors.
- SS bit mode supports SONET (00) or SDH (10) values and defines the value of the SS bits for unequipped signal insertion. In normal mode, SS bits can be passed through or overwritten with a provisioned value. All SS bit provisioning is done at a STM-16 level affecting all AU-3s.
- The B1 error mask can be extracted serially on the ROHDAT interface, and the B2 error mask can be extracted serially on the local orderwire, express orderwire, and orderwire clock pins.

* Refer to LVDS Receiver Buffer Capabilities section on page 169 for additional details.

Table of Contents

Contents	Page
Features	1
General	1
STS-192/STM-64 (Line Interface).....	1
Add/Drop (Equipment Interface).....	12
Applications	12
Description.....	13
Block Diagrams.....	13
Glossary.....	14
Receive Direction Overview.....	15
Transmit Direction Overview.....	15
STS-192 Mode Options	16
TOH Transparency.....	16
Regenerator Loopback.....	16
Device Mode Setup.....	16
Pin Information	17
Functional Description	47
Receive STS-192 Line Interface.....	47
Loss-of-Signal (LOS) Detector.....	47
Framer (A1 and A2).....	48
Descrambler.....	50
Time-Slot Interchanger (TSI).....	50
Receive Transport Overhead (TOH) Processor.....	52
Receive Overhead Serial Links.....	52
Section Trace (J0).....	53
Section Growth (Z0).....	54
Section BIP-8 (B1).....	54
Section BIP-8 (B1) Errors Serial Access.....	54
Local Orderwire (E1).....	55
Section User Channel (F1).....	55
Section Data Communications Channel (D1, D2, and D3).....	55
Line BIP-8 (B2).....	56
Line BIP-8 (B2) Errors Serial Access.....	58
APS Channel (K1 and K2).....	58
Line Data Communication Channel (D4—D12).....	60
Synchronization Status (S1).....	60
STS-192 Line Remote Error Indication (M1).....	61
Express Orderwire (E2).....	61
Receive STS Path Processor	61
1:4 Demultiplex TSI.....	62
Receive Pointer Processor.....	62
Receive Path Overhead (POH) Processor.....	69
Receive Payload Drop Interface.....	76
STS-12 Overhead Insertion and Scrambling.....	77
Drop Interface Output Format.....	78
Data Path Parity.....	79
Regenerator Loopback (STS-192 Mode Only).....	80
Transmit Payload Add Interface.....	80
STS-12 Framing, Descrambling, and TOH Processing.....	81
Transmit Synchronization Buffer.....	82
Add Interface Framing (A1 and A2).....	82
4:1 Time-Slot Multiplex (TSM).....	84

Table of Contents (continued)

Contents	Page
Transmit Transport Overhead (TOH) Processor.....	84
TOH Transparency.....	85
Transmit Overhead Serial Links.....	86
Section Trace/Section Growth (J0/Z0).....	86
Section BIP-8 (B1).....	87
Local Orderwire (E1).....	87
Section User Channel (F1).....	87
Section Data Communications Channel (D1, D2, and D3).....	88
STS Payload Pointer (H1 and H2).....	88
Line BIP-8 (B2).....	89
APS Channel (K1 and K2).....	90
Line Data Communication Channel (D4—D12).....	90
Synchronization Status (S1).....	91
STS-192 Line Remote Error Indication (M1).....	91
Express Orderwire (E2).....	92
Transmit STS-192 Line Interface.....	92
Time-Slot Multiplexer (TSM).....	92
Scrambler.....	92
Data Path Parity.....	92
Microprocessor Interface.....	93
Architecture.....	93
Transfer Error Acknowledge (TEA_N).....	93
Interrupt Structure.....	93
Parity Bits.....	94
Clock Domains.....	94
Persistency Registers.....	96
Register Description.....	96
Software Reset.....	96
Device-Level Registers.....	110
Line Terminating Equipment (LTE) Registers.....	115
LTE Common Registers.....	115
LTE J0 Access Registers.....	117
Signal Degrade/Signal Fail Registers.....	119
LTE Receive Channel 1, 2, 3, and 4 Registers.....	122
LTE Transmit Common Registers.....	128
LTE Transmit Channel Registers.....	130
Equipment (EQPT) Registers.....	134
EQPT Common Registers.....	134
EQPT Receive Drop STS-48 Channel Registers 1—4.....	137
EQPT Transmit Add STS-48 Channel Registers 1—4.....	139
Path Overhead (POH) Registers.....	144
STS-12, STS-1 Level POH Registers.....	145
STS-192 Level POH Registers.....	149
STS-192 Level Path Trace Registers.....	154
STS-48 Level POH Registers.....	155
Absolute Maximum Ratings.....	166
Handling Precautions.....	166
Recommended Operating Conditions.....	166
Electrical Characteristics.....	167
Power Sequencing.....	167
Low-Voltage Differential Signal (LVDS) Buffers.....	167

Table of Contents (continued)

Contents	Page
LVDS Receiver Buffer Capabilities.....	169
Timing Characteristics	172
Receive Data Interface	172
Receive STS-48/STS-192 Data	172
Receive Transport Overhead Interface.....	173
Receive Local Orderwire	173
Receive Section User.....	173
Receive Express Orderwire.....	174
Receive Section Data Com	174
Receive Line Data Com	174
Receive Overhead Serial Link.....	175
Transmit Data Interface	176
Transmit STS-48/STS-192 Data	176
Transmit Frame	177
Transmit Transport Overhead Interface.....	178
Transmit Local Orderwire	178
Transmit Section User.....	178
Transmit Express Orderwire.....	178
Transmit Section Data Com	179
Transmit Line Data Com	179
Transmit Overhead Serial Link.....	180
Receive Drop Interface	181
Drop Clock, Drop Frame, and Drop Data	181
Receive Drop Section Data Com	182
Transmit Add Interface.....	183
Transmit Add Data	183
Transmit Add Section Data Com.....	183
Microprocessor Interface Timing.....	183
Synchronous Mode	183
Asynchronous Mode.....	186
Use of a Synchronous Microprocessor with the TSOT0410G4 in Asynchronous Mode	188
Outline Diagram.....	189
600-Pin LPGA.....	189
Ordering Information.....	190

List of Figures

Contents	Page
Figure 1. TSOT0410G4 Block Diagram, STS-192 Mode	13
Figure 2. TSOT0410G4 Block Diagram, STS-48 Mode	14
Figure 3. Suggested Schematic for 1.0 V and 1.4 V Reference Voltages	35
Figure 4. Framer FSM	49
Figure 5. Example of STS-192 SD Detection (10^{-5} BER) and Clearing (10^{-6} BER)	57
Figure 6. Timing Diagram for RFRM	60
Figure 7. Pointer Interpreter State Machine	63
Figure 8. STS-12 Data Outputs and Timing	79
Figure 9. TSOT0410G4 Timing Domains	95
Figure 10. Persistency Register Operation	96
Figure 11. Path Register Structure	144
Figure 12. LVDS Driver and Receiver and Associated Internal Components	168
Figure 13. LVDS Driver and Receiver	168
Figure 14. LVDS Driver	168
Figure 15. Receive Data Timing	172
Figure 16. Receive Data Communication Channels Timing	173
Figure 17. Receive Overhead Serial Timing	175
Figure 18. Transmit Data Timing	176
Figure 19. Transmit Frame Timing	177
Figure 20. Transmit Data Communication Channels Timing	178
Figure 21. Transmit Overhead Serial Timing	180
Figure 22. Receive Frame Timing (Pointer Processor Bypassed)	181
Figure 23. Receive Frame Timing (Pointer Processor Active)	182
Figure 24. Microprocessor Interface Synchronous Write Cycle (MPMODE = 1)	184
Figure 25. Microprocessor Interface Synchronous Read Cycle (MPMODE = 1)	185
Figure 26. Microprocessor Interface Asynchronous Write Cycle (MPMODE = 0)	186
Figure 27. Microprocessor Interface Asynchronous Read Cycle (MPMODE = 0)	187

List of Tables

Contents	Page
Table 1. Pin Assignments for 600-Pin LPGA by Pin Number Order.....	17
Table 2. Pin Assignments for 600-Pin LPGA by Signal Name Order.....	22
Table 3. Pin Descriptions—System Control.....	26
Table 4. Pin Descriptions—Receive Line Interface.....	27
Table 5. Pin Descriptions—Transmit Line Interface.....	28
Table 6. Pin Descriptions—LVDS Reference, Line Interface.....	30
Table 7. Pin Descriptions—Receive Drop Equipment Interface.....	31
Table 8. Pin Descriptions—Transmit Add Equipment Interface.....	33
Table 9. Pin Descriptions—LVDS Reference, Equipment Interface.....	35
Table 10. Pin Descriptions—Transport Overhead Interface.....	36
Table 11. Pin Descriptions—Microprocessor Interface.....	42
Table 12. Pin Descriptions—JTAG Interface.....	43
Table 13. Pin Descriptions—PLL References.....	44
Table 14. Pin Descriptions—Power and Ground.....	44
Table 15. Pin Summary.....	46
Table 16. LOS Detector Register Summary.....	48
Table 17. Framer Register Summary.....	50
Table 18. Descrambler Register Summary.....	50
Table 19. STS-192 Byte Ordering.....	51
Table 20. STS-48 Byte Ordering.....	51
Table 21. Receive Overhead Serial Links Register Summary.....	52
Table 22. J0 Register Summary.....	54
Table 23. B1 Register Summary.....	55
Table 24. BER Threshold Time and Error Limits for Line SD and SF Detection.....	56
Table 25. B2 Register Summary.....	58
Table 26. APS Channel (K1 and K2) Register Summary.....	59
Table 27. Synchronization Status (S1) Register Summary.....	61
Table 28. Line REI (M1) Register Summary.....	61
Table 29. STS-12 Byte Ordering.....	62
Table 30. Pointer Interpreter Register Summary.....	64
Table 31. Elastic Store Register Summary.....	65
Table 32. Pointer Generator Bypass Register Summary.....	65
Table 33. AIS-P Insertion Conditions.....	66
Table 34. Path AIS Insertion Register Summary.....	67
Table 35. Concatenation Register Summary.....	68
Table 36. Pointer Justification Binning Register Summary.....	68
Table 37. J1 Register Summary.....	70
Table 38. BER Threshold Time Window and Error Limits for Path SF Detection.....	71
Table 39. Time Window Sizes for Path SF Detection.....	71
Table 40. B3 Register Summary.....	72
Table 41. STS Path Signal Label Assignments.....	73
Table 42. Path Signal Label (C2) Alarm Scenarios.....	74
Table 43. C2 Register Summary.....	75
Table 44. RDI-P Codes and Interpretation.....	76
Table 45. G1 Register Summary.....	76
Table 46. Path Alarm Information Encoding.....	77
Table 47. Line Alarm Information Encoding.....	78
Table 48. Drop Interface Overhead and Scrambling Register Summary.....	78
Table 49. Timing Enable Bit Definitions.....	79
Table 50. Receive Data Path Parity Register Summary.....	79
Table 51. LTE Transmit Channel Registers—Regenerator Loopback Summary.....	80

List of Tables (continued)

Contents	Page
Table 52. Regenerator Loopback Bit Definitions	80
Table 53. Path AIS Insertion Encoding.....	81
Table 54. Add Interface Overhead and Scrambling Register Summary.....	82
Table 55. Transmit Synchronization Buffer Register Summary.....	82
Table 56. Frame Pulse Provisioning Bit Definitions.....	84
Table 57. Transmit Framing Register Summary.....	84
Table 58. LTE Transmit Channel Registers—TOH Transparency Summary.....	85
Table 59. TOH Transparency Bit Definitions	85
Table 60. Transmit Overhead Serial Links Register Summary	86
Table 61. Transmit Section Trace (J0) Register Summary	87
Table 62. Transmit B1 Register Summary	87
Table 63. Transmit STS Payload Pointer Register Summary	89
Table 64. Transmit B2 Register Summary	89
Table 65. K Byte Select Control Bits	90
Table 66. Transmit APS Channel (K1K2) Register Summary	90
Table 67. Transmit Synchronization Status (S1) Register Summary	91
Table 68. Transmit M1 Register Summary.....	91
Table 69. Transmit Line Scrambler Register Summary.....	92
Table 70. Transmit Data Path Parity Register Summary.....	92
Table 71. Register Summary	97
Table 72. Interrupt Status (RO)	110
Table 73. Interrupt Status Mask (R/W)	111
Table 74. Chip ID (RO).....	111
Table 75. Chip Vintage (RO)	111
Table 76. Scratch Pad, Clock Loss Alarm (R/W).....	112
Table 77. Chip-Level Maintenance (R/W)	112
Table 78. Chip Status (RO)	112
Table 79. Clock Loss Alarm/PM Clock Detection (W1C).....	113
Table 80. Clock Loss Alarm/PM Clock Detection Mask (R/W).....	114
Table 81. Software Chip Reset (WO)	114
Table 82. LTE Interrupt Status (RO).....	115
Table 83. LTE Interrupt Status Mask (R/W)	116
Table 84. Section Trace (J0) Access Maintenance (R/W).....	117
Table 85. J0 Access Done (W1C)	118
Table 86. J0 Access Message Start (WO)	118
Table 87. J0 Access Message Buffers 1—32 (R/W)	118
Table 88. Line Signal Degrade/Signal Fail Bit Error Rate Detection Time (1×10^{-3}) (R/W)	119
Table 89. Line Signal Degrade/Signal Fail Bit Error Rate Detection Time (1×10^{-4}) (R/W)	119
Table 90. Line Signal Degrade/Signal Fail Bit Error Rate Detection Time (1×10^{-5}) (R/W)	119
Table 91. Line Signal Degrade/Signal Fail Bit Error Rate Detection Time (1×10^{-6}) (R/W)	119
Table 92. Line Signal Degrade/Signal Fail Bit Error Rate Detection Time (1×10^{-7}) (R/W)	119
Table 93. Line Signal Degrade/Signal Fail Bit Error Rate Detection Time (1×10^{-8}) (R/W)	120
Table 94. Line Signal Degrade/Signal Fail Bit Error Rate Detection Time (1×10^{-9}) (R/W)	120
Table 95. Line Signal Degrade/Signal Fail Bit Error Rate Detection Time (1×10^{-10}) (R/W).....	120
Table 96. Line Signal Degrade/Signal Fail Detect Error Limit (1×10^{-3}) (R/W)	120
Table 97. Line Signal Degrade/Signal Fail Detect Error Limit (1×10^{-4}) (R/W)	120
Table 98. Line Signal Degrade/Signal Fail Detect Error Limit (1×10^{-5}) (R/W)	120
Table 99. Line Signal Degrade/Signal Fail Detect Error Limit (1×10^{-6}) (R/W)	121
Table 100. Line Signal Degrade/Signal Fail Detect Error Limit (1×10^{-7}) (R/W)	121
Table 101. Line Signal Degrade/Signal Fail Detect Error Limit (1×10^{-8}) (R/W)	121
Table 102. Line Signal Degrade/Signal Fail Detect Error Limit (1×10^{-9}) (R/W)	121

List of Tables (continued)

Contents	Page
Table 103. Line Signal Degrade/Signal Fail Clear Error Limit (1×10^{-4}) (R/W)	121
Table 104. Line Signal Degrade/Signal Fail Clear Error Limit (1×10^{-5}) (R/W)	121
Table 105. Line Signal Degrade/Signal Fail Clear Error Limit (1×10^{-6}) (R/W)	121
Table 106. Line Signal Degrade/Signal Fail Clear Error Limit (1×10^{-7}) (R/W)	122
Table 107. Line Signal Degrade/Signal Fail Clear Error Limit (1×10^{-8}) (R/W)	122
Table 108. Line Signal Degrade/Signal Fail Clear Error Limit (1×10^{-9}) (R/W)	122
Table 109. Line Signal Degrade/Signal Fail Clear Error Limit (1×10^{-10}) (R/W).....	122
Table 110. LTE Receive Channel 1 Provisioning (R/W).....	122
Table 111. LTE Receive Channel 1 Maintenance (R/W).....	123
Table 112. LTE Receive Channel 1 Loss-of-Signal (LOS) Threshold (R/W).....	123
Table 113. LTE Receive Channel 1 K Byte Status (RO).....	123
Table 114. LTE Receive Channel 1 S1 Byte Status (RO).....	123
Table 115. LTE Receive Channel 1 Service-Affecting Interrupt Alarm (W1C).....	124
Table 116. LTE Receive Channel 1 Service-Affecting Interrupt Alarm Mask (R/W).....	124
Table 117. LTE Receive Channel 1 Service-Affecting Persistency Alarm (RO).....	124
Table 118. LTE Receive Channel 1 Nonservice-Affecting Interrupt Alarm (W1C).....	125
Table 119. LTE Receive Channel 1 Nonservice-Affecting Interrupt Mask (R/W).....	126
Table 120. LTE Receive Channel 1 Nonservice-Affecting Persistency Alarm (RO).....	127
Table 121. LTE Receive Channel 1 Performance Monitoring (RO)	127
Table 122. LTE Receive Channel 1 REI-L Performance Monitoring (L) (RO).....	127
Table 123. LTE Receive Channel 1 REI-L Performance Monitoring (U) (RO).....	127
Table 124. LTE Receive Channel 1 CV-L Performance Monitoring (L) (RO).....	127
Table 125. LTE Receive Channel 1 CV-L Performance Monitoring (U) (RO).....	127
Table 126. LTE Receive Channel 1 CV-S Performance Monitoring (RO).....	128
Table 127. LTE Transmit—Frame Pulse Offset Count (R/W)	128
Table 128. LTE Transmit—Add Interface Self-Sync Option (R/W).....	128
Table 129. LTE Transmit—B1 Corrupt Frame Count (R/W).....	128
Table 130. LTE Transmit—B2 Corrupt Frame Count (R/W).....	128
Table 131. LTE Transmit—M1 Corrupt Frame Count (R/W).....	129
Table 132. LTE Transmit—TFRM S1 Byte (RO).....	129
Table 133. LTE Transmit—Interrupt Alarm Register (W1C).....	129
Table 134. LTE Transmit—Interrupt Mask Register (R/W).....	130
Table 135. LTE Transmit Channel 1 Provisioning (R/W).....	130
Table 136. LTE Transmit Bit Assignment.....	131
Table 137. LTE Transmit Channel 1 Maintenance (R/W).....	131
Table 138. LTE Transmit Channel 1 Path Unequipped (UNEQ-P) Insert Enable #1 (R/W).....	131
Table 139. LTE Transmit Channel 1 Path Unequipped (UNEQ-P) Insert Enable #2 (R/W).....	131
Table 140. LTE Transmit Channel 1 Path Unequipped (UNEQ-P) Insert Enable #3 (R/W).....	131
Table 141. LTE Transmit Channel 1 Path Unequipped (UNEQ-P) Insert Enable #4 (R/W).....	132
Table 142. LTE Transmit Channel 1 Path AIS (AIS-P) Insert Enable #1 (R/W).....	132
Table 143. LTE Transmit Channel 1 Path AIS (AIS-P) Insert Enable #2 (R/W).....	132
Table 144. LTE Transmit Channel 1 Path AIS (AIS-P) Insert Enable #3 (R/W).....	132
Table 145. LTE Transmit Channel 1 Path AIS (AIS-P) Insert Enable #4 (R/W).....	132
Table 146. LTE Transmit Channel 1 K1K2 Byte Insert Values (R/W)	132
Table 147. LTE Transmit Channel 1 S1 Byte Insert Value (R/W)	132
Table 148. LTE Transmit Channel 1 Interrupt Alarm (W1C)	133
Table 149. LTE Transmit Channel 1 Interrupt Alarm Mask (R/W).....	133
Table 150. EQPT Interrupt Status (RO)	134
Table 151. EQPT Interrupt Mask (R/W)	135
Table 152. Receive Drop Common Service-Affecting Alarm (W1C).....	136
Table 153. Receive Drop Common Service-Affecting Alarm Mask (R/W).....	136

List of Tables (continued)

Contents	Page
Table 154. Receive Drop STS-48 Channel Provisioning Register 1 (R/W).....	137
Table 155. J0 Trace—STS-12 Channel 1 (R/W).....	137
Table 156. J0 Trace—STS-12 Channel 2 (R/W).....	137
Table 157. J0 Trace—STS-12 Channel 3 (R/W).....	137
Table 158. J0 Trace—STS-12 Channel 4 (R/W).....	137
Table 159. Receive Drop STS-48 Channel Nonservice-Affecting Alarm (W1C).....	138
Table 160. Receive Drop STS-48 Channel Nonservice Affecting Alarm Mask (R/W).....	138
Table 161. Transmit Add STS-48 Channel Provisioning (R/W).....	139
Table 162. J0 Status Register—1 (RO).....	139
Table 163. J0 Status Register—2 (RO).....	139
Table 164. J0 Status Register—3 (RO).....	139
Table 165. J0 Status Register—4 (RO).....	139
Table 166. AIS Insert Status Register, STS-12 Channel #1 (RO).....	140
Table 167. AIS Insert Status Register, STS-12 Channel #2 (RO).....	140
Table 168. AIS Insert Status Register, STS-12 Channel #3 (RO).....	141
Table 169. AIS Insert Status Register, STS-12 Channel #4 (RO).....	141
Table 170. Transmit Add STS-48 Channel Alarm (W1C).....	142
Table 171. Transmit Add STS-48 Channel Alarm Mask (R/W).....	143
Table 172. STS-12 Pointer Processor Provisioning, STS-1 #1 to STS-1 #12 (R/W).....	145
Table 173. STS-12 Pointer Processor Maintenance, STS-1 #1 to STS-1 #12 (R/W).....	145
Table 174. STS-12 Pointer Interpreter PM, Last Second Increments, STS-1 #1 to STS-1 #12 (RO).....	145
Table 175. STS-12 Pointer Interpreter PM, Last Second Decrements, STS-1 #1 to STS-1 #12 (RO).....	146
Table 176. STS-12 Pointer Generator PM, Last Second Increments, STS-1 #1 to STS-1 #12 (RO).....	146
Table 177. STS-12 Pointer Generator PM, Last Second Decrements, STS-1 #1 to STS-1 #12 (RO).....	146
Table 178. STS-1 #1 Path Overhead Provisioning (R/W).....	146
Table 179. STS-1 #1 Path Overhead Maintenance (R/W).....	146
Table 180. STS-1 #1 Path Overhead Status (RO).....	147
Table 181. STS-1 #1 Alarm Interrupt Status (W1C).....	147
Table 182. STS-1 #1 Alarm Interrupt Status Mask (R/W).....	147
Table 183. STS-1 #1 Alarm Persistency (RO).....	148
Table 184. STS-1 #1 PM Last Second Indicators (RO).....	148
Table 185. STS-1 #1 Last Second CV-P Count (RO).....	148
Table 186. STS-1 #1 Last Second REI-P Count (RO).....	148
Table 187. Path Overhead (POH) Interrupt Status (RO).....	149
Table 188. Path Overhead (POH) Interrupt Status Mask (R/W).....	149
Table 189. STS-1 Signal Fail Detect Threshold, Window Size Select 0 (R/W).....	150
Table 190. STS-1 Signal Fail Clear Threshold, Window Size Select 0 (R/W).....	150
Table 191. STS-1 Signal Fail Detect Threshold, Window Size Select 1 (R/W).....	150
Table 192. STS-1 Signal Fail Clear Threshold, Window Size Select 1 (R/W).....	150
Table 193. STS-Nc Signal Fail Detect Threshold, Window Size Select 2 (R/W).....	151
Table 194. STS-Nc Signal Fail Clear Threshold, Window Size Select 2 (R/W).....	151
Table 195. STS-Nc Signal Fail Detect Threshold, Window Size Select 3 (R/W).....	151
Table 196. STS-Nc Signal Fail Clear Threshold, Window Size Select 3 (R/W).....	151
Table 197. STS-Nc Signal Fail Detect Threshold, Window Size Select 4 (R/W).....	152
Table 198. STS-Nc Signal Fail Clear Threshold, Window Size Select 4 (R/W).....	152
Table 199. STS-Nc Signal Fail Detect Threshold, Window Size Select 5 (R/W).....	152
Table 200. STS-Nc Signal Fail Clear Threshold, Window Size Select 5 (R/W).....	152
Table 201. STS-Nc Signal Fail Detect Threshold, Window Size Select 6 (R/W).....	152
Table 202. STS-Nc Signal Fail Clear Threshold, Window Size Select 6 (R/W).....	152
Table 203. STS-Nc Signal Fail Detect Threshold, Window Size Select 7 (R/W).....	153
Table 204. STS-Nc Signal Fail Clear Threshold, Window Size Select 7 (R/W).....	153

List of Tables (continued)

Contents	Page
Table 205. Signal Fail Window Size 0 (R/W).....	153
Table 206. Signal Fail Window Size 1 (R/W).....	153
Table 207. Signal Fail Window Size 2 (R/W).....	153
Table 208. Signal Fail Window Size 3 (R/W).....	153
Table 209. Path Trace Access Control (R/W)	154
Table 210. Path Trace Access Complete Status (W1C)	154
Table 211. Path Trace Access Start.....	154
Table 212. Path Trace Buffer Word #1—Word #32.....	154
Table 213. STS-1 Channel Interrupt Status, STS-1 #1 to STS-1 #16 (RO)	155
Table 214. STS-1 Channel Interrupt Status Mask, STS-1 #1 to STS-1 #16 (R/W)	155
Table 215. STS-1 Channel Interrupt Status, STS-1 #17 to STS-1 #32 (RO)	157
Table 216. STS-1 Channel Interrupt Status Mask, STS-1 #17 to STS-1 #32 (R/W)	158
Table 217. STS-1 Channel Interrupt Status, STS-1 #33 to STS-1 #48 (RO)	159
Table 218. STS-1 Channel Interrupt Status Mask, STS-1 #33 to STS-1 #48 (R/W)	160
Table 219. STS-48 Channel Path Trace Control (R/W)	161
Table 220. S/W Concatenation Map STS-1 #1 to STS-1 #12 (R/W).....	161
Table 221. S/W Concatenation Map STS-1 #13 to STS-1 #24 (R/W).....	161
Table 222. S/W Concatenation Map STS-1 #25 to STS-1 #36 (R/W).....	162
Table 223. S/W Concatenation Map STS-1 #37 to STS-1 #48 (R/W).....	162
Table 224. S/W Concatenation Mask STS-1 #1 to STS-1 #12 (R/W)	162
Table 225. S/W Concatenation Mask STS-1 #13 to STS-1 #24 (R/W)	162
Table 226. S/W Concatenation Mask STS-1 #25 to STS-1 #36 (R/W)	162
Table 227. S/W Concatenation Mask STS-1 #37 to STS-1 #48 (R/W)	163
Table 228. Received Concatenation Map STS-1 #1 to STS-1 #12 (RO)	163
Table 229. Received Concatenation Map STS-1 #13 to STS-1 #24 (RO)	163
Table 230. Received Concatenation Map STS-1 #25 to STS-1 #36 (RO)	163
Table 231. Received Concatenation Map STS-1 #37 to STS-1 #48 (RO)	163
Table 232. STS-48 Channel Path Alarms 1 (W1C).....	164
Table 233. STS-48 Channel Path Alarms 1 Mask (W1C)	165
Table 234. Absolute Maximum Ratings.....	166
Table 235. Recommended Operating Conditions	166
Table 236. Thermal Resistance—Junction to Ambient	167
Table 237. LVDS Driver dc Data	169
Table 238. LVDS Driver ac Data	169
Table 239. LVDS Driver Reference Data	170
Table 240. LVDS Receiver Data	170
Table 241. Receive Payload Add Interface	170
Table 242. Receive Payload Drop Interface.....	171
Table 243. LVTTTL 3.3 V Logic Interface Characteristics	171
Table 244. Receive Data Timing	172
Table 245. RLCLOW/RSUSER/REXPOW Timing	174
Table 246. RSDCC Timing	174
Table 247. RLDCC Timing	174
Table 248. Receive Overhead Serial Timing.....	175
Table 249. Transmit Data Timing	176
Table 250. Transmit Frame Timing	177
Table 251. TLCLOW/TSUSER/TEXPOW Timing.....	178
Table 252. TSDCC Timing	179
Table 253. TLDCC Timing.....	179
Table 254. Transmit Overhead Serial Timing.....	181
Table 255. Drop Frame Timing (Pointer Processor Bypassed).....	181

List of Tables (continued)

Contents	Page
Table 256. Drop Frame Timing (Pointer Processor Active).....	182
Table 257. RDDCC Timing.....	182
Table 258. TADCC Timing.....	183
Table 259. TA_N/TEA_N Cycle Termination for Synchronous Write Cycle.....	184
Table 260. Microprocessor Interface Synchronous Write Cycle Specifications.....	184
Table 261. TA_N/TEA_N Cycle Termination for Synchronous Read Cycle.....	185
Table 262. Microprocessor Interface Synchronous Read Cycle Specifications.....	185
Table 263. Microprocessor Interface Asynchronous Write Cycle Specifications.....	186
Table 264. TA_N/TEA_N Cycle Termination for Asynchronous Write Cycle.....	187
Table 265. TA_N/TEA_N Cycle Termination for Asynchronous Read Cycle.....	187
Table 266. Microprocessor Interface Asynchronous Read Cycle Specifications.....	187

Features (continued)

Add/Drop (Equipment Interface)

- Provides sixteen 1-bit serial 622 MHz (STS-12 rate) differential data links at the add and drop interfaces. Path overhead and SPE timing indication is provided by the drop interface.
- Clock recovery and data skew compensation are provided at the add interface. Transmit frame alignment synchronization may be controlled via an input (TFRM), or may optionally derived from any one of sixteen add inputs.
- Interprets the pointer bytes (H1, H2) for each receive STS and detects loss of pointer (LOP) and path AIS. Generates new pointer bytes in each drop STS to adapt the receive data to the drop frequency and phase. Pointer generation can be bypassed for synchronous applications.
- Optionally inserts path AIS in all drop STS pointer bytes during LOS, LOF, SEF, or line AIS (MS-AIS) defects. Optionally inserts path AIS in each drop STS due to LOP or path AIS defects in the corresponding receive STS, or under software control.
- Inserts pointer bytes in the transmit data based on values received in the transport overhead bytes of the add data. Optionally inserts path AIS in each transmit STS under control by software, or through bits in the transport overhead of the add data.
- Extracts the 64-byte or 16-byte path trace message (J1) from up to four selectable receive STS channels (one per STS-48), and stores it in an internal register bank. Optionally compares the message to an expected message stored in the internal register bank and detects an unstable or mismatched message.
- Calculates, detects, and accumulates path BIP-8 errors (B3) for each receive STS (provisionable based on bit or block errors). Provides signal fail detection with provisionable BER.
- Extracts and counts path REI for each receive STS (G1).
- Detects path unequipped, payload label mismatch (PLM), and optionally, payload defect indication (PDI) in the C2 byte of each receive STS. Optionally inserts unequipped signal in each transmit STS under software control.
- Detects 1-bit and enhanced path RDI (3-bit) in each receive STS (G1).
- Outputs path alarm information for each receive STS in the overhead bytes of the drop data (E1/F1).
- Optional TOH transparency capability on the line interface to/from the TOH on the equipment interface. Either full TOH transparency, or just line overhead (MSOH) transparency with section overhead (RSOH) insertion/extraction, may be selected. In the receive direction, the section overhead will be used for path alarm information if section overhead transparency is not selected. The pointer processor will be automatically bypassed if any of these options are selected.
- Optional loopback of the receive data and overhead towards the transmit line interface in STS-192 mode. The transmit clock is replaced by the receive clock at the 622 MHz level external to the chip, with the add interface buffers used to align the data between the receive and transmit clock domains. The TFRM signal is replaced by receive frame timing to transfer from the receive to the transmit clock domains.
- Active per-STs-48 transmit line AIS insert controls during receive LOS, receive LOF, or R_CLK failure while in regenerator loopback mode.
- The add interface self-sync provides the option to use frame timing being recovered from one of the add pseudo-STs-12 links as the transmit frame sync instead of TFRM. The resynchronizing is inhibited if the selected add pseudo-STs-12 link is out of frame (OOF).

Applications

- SONET/SDH add/drop multiplex equipment.
- SONET/SDH terminal equipment.
- SONET/SDH digital cross connect equipment.
- SONET/SDH regenerator equipment.
- SONET/SDH test equipment.
- ATM or packet over SONET/SDH equipment.

Description

The TSOT0410G4 is used to terminate the transport overhead in a single SONET STS-192 (SDH STM-64) signal or four SONET STS-48 (SDH STM-16) signals. It monitors the STS path pointers and overhead in the receive data and provides timing signals for payload mapping devices on the equipment side. The TSOT0410G4 can be provisioned to support any mix of STS-1 (AU-3) or STS-Nc (AU-4-Xc) payloads from a single STS-192c (AU-4-64c) channel to 192 STS-1 (AU-3) channels. Block diagrams are shown in Figure 1 and Figure 2.

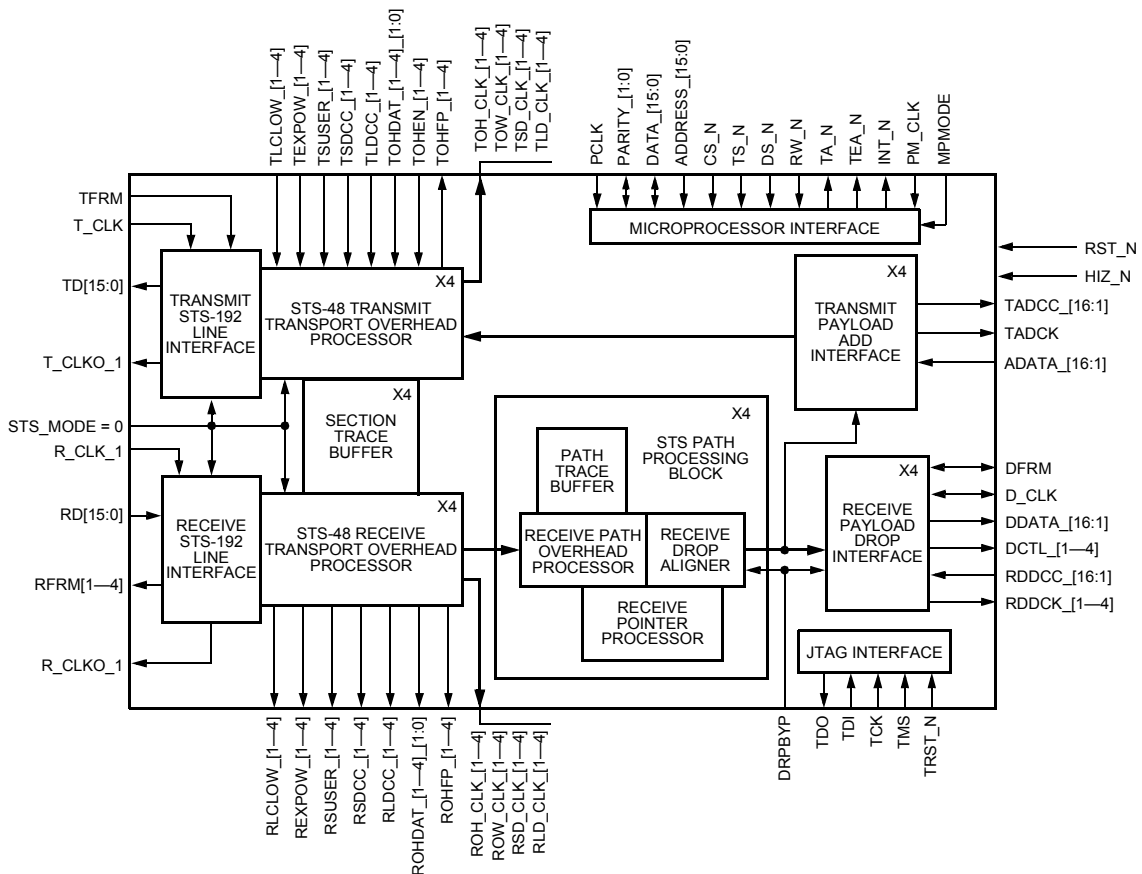
The TSOT0410G4 is a 2.5 V, 0.25 μm high-density device which is packaged in a 600-pin laminate ball grid array (LBGA). The I/O circuitry uses a 3.3 V, 0.25 μm technology (5 V tolerant) for LVTTTL, and LVDS for high-speed signals.

The microprocessor interface allows an external processor to access the TSOT0410G4 for configuration and maintenance. The microprocessor interface is designed to support various 16-bit microprocessors with minimal glue logic.

The TSOT0410G4 includes an *IEEE* 1149.1 compliant JTAG port to support boundary scan and memory BIST testing of the device.

Block Diagrams

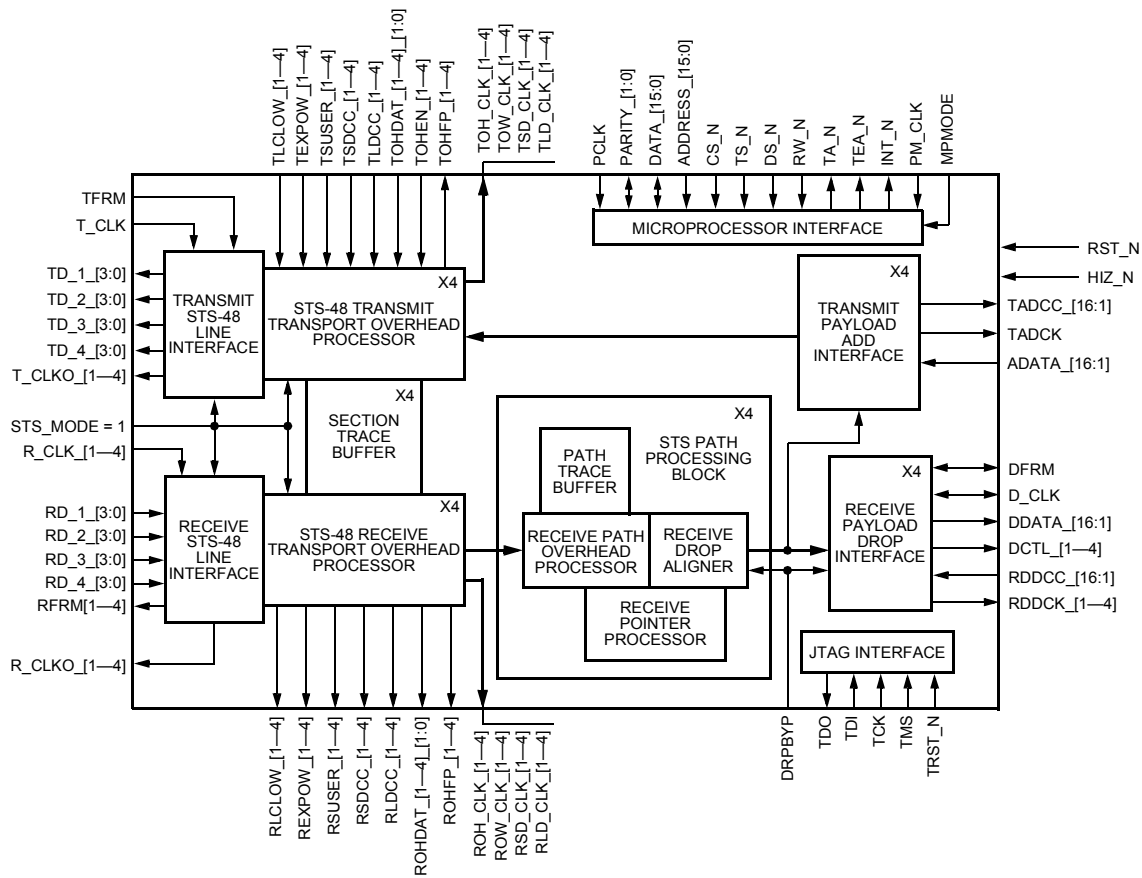
Figure 1, below, is a block diagram of the TSOT0410G4 when operating in STS-192 mode (pin AM17, STS_MODE = 0). Figure 2 on page 14 is a block diagram of the TSOT0410G4 when operating in quad STS-48 mode (pin AM17, STS_MODE = 1). For convenience, two symbol sets are provided for the transmit and receive line interface pins, based on the mode of the device. Both sets of symbols are included in the pin tables.



5-7952.f (F)

Figure 1. TSOT0410G4 Block Diagram, STS-192 Mode

Description (continued)



5-7982.e (F)

Figure 2. TSOT0410G4 Block Diagram, STS-48 Mode

Glossary

This glossary is not intended to list standard SDH or SONET terminology; rather, it is intended to describe terms that may be specific to this device and/or may be unfamiliar to the reader.

- **Persistency Bit**—a register bit that indicates the raw alarm has been continuously present since the alarm was latched in the latched alarm register bit. (See the Persistency Registers section on page 96.)
- **PM**—performance monitoring. Indication of the presence of an alarm or condition during the last second as indicated by successive rising edges of the PM_CLK input. PM counters count the number of occurrences of a condition, and 1-bit PM indicates that a condition was present at some time during the last second.

Description (continued)

Receive Direction Overview

In the receive direction, the receive line interface can accept either a single STS-192 (STM-64) signal or four STS-48 (STM-16) signals, from optical-to-electrical modules, in 16-bit or 4-bit wide serial 622 MHz format. The receive line interface synchronizes to the frames in each data channel and rotates the data to frame and byte align it. The data may also be optionally descrambled.

The aligned data is received by the receive transport overhead processor, and the section (regenerator section) and line (multiplex section) overhead are extracted. Most of the overhead is then either stored internally or provided on external serial outputs, except for the pointer bytes, which are passed to the receive pointer processor. The receive pointer processor interprets the pointer bytes and provides the SONET payload envelope (SPE) timing for the receive-path overhead processor and the receive-drop data aligner (pointer processor).

The receive-path overhead processor extracts the path overhead and either stores it internally or processes it for alarms and performance statistics. The receive-drop data aligner then translates the data from the receive clock domain to the drop clock domain using a small elastic store and pointer adjustments to the data. The resulting aligned data is then converted to sixteen 1-bit wide serial 622 MHz streams by the receive payload drop interface and output along with SPE timing signals for use by a payload mapping device.

Transmit Direction Overview

In the transmit direction, the transmit payload add interface accepts sixteen 1-bit wide serial 622 MHz pseudo* STS-12 (STM-4) signals and recovers the clock for each. The resulting 16 clocks must be synchronous in frequency, but can be asynchronous in phase. Each clock is used to frame, byte align, descramble, and then write its associated data stream into a small buffer. The data is then read out of all 16 buffers using transmit clock (T_CLK) and transmit frame (TFRM) timing.

The converted data is passed along to the transmit transport overhead processor which adds the appropriate section and line overhead. This overhead is either provided by internal configuration registers or external serial inputs, except for the pointer bytes, which are received in the add data. The resulting valid STS-192 (STM-64) or STS-48 (STM-16) data is then optionally scrambled, converted to one 16-bit wide or four 4-bit wide serial 622 MHz signals, and output for use by electrical-to-optical modules.

Transmit frame alignment synchronization may optionally be derived from any one of the 16 (selectable) add inputs. A software provisioning option allows transmit frame alignment synchronization to be provided using the timing that is being recovered from one of the add pseudo STS-12 links as the transmit frame sync instead of TFRM.

* The data is formatted as an STS-12 signal; however, most of the transport overhead bytes are either unused or may be used for proprietary purposes.

Description (continued)

STS-192 Mode Options

TOH Transparency

In applications where it is desired, a pass-through capability using software provisioning for the TOH on the line interface to/from the TOH on the equipment interface is provided for the receive and transmit direction. This feature is always supported on individual STS-48 channels and will require all four channels to be provisioned in STS-192 mode.

On the receive side, when TOH transparency is enabled, the pointer generators and elastic stores in all path processing blocks are bypassed. In this case, receive timing will be used by the payload drop interface. The receive direction has the option for full TOH transparency, or just line overhead transparency with section overhead is used for the normal proprietary drop I/F overhead. When TOH transparency is enabled, the pointer processor (PP) will be bypassed on a per STS-48 level. See the Receive Pointer Processor section on page 62 for more information on how this mode effects the device.

The transmit direction has the option for full TOH transparency or just line overhead (MSOH) transparency with section (RSOH) overhead inserted. If enabled, AIS insertion due to an E1/F1 code in the add TOH will be disabled.

Regenerator Loopback

In applications where the receive data and overhead bytes need to be transmitted towards the transmit line interface, a software regenerator loopback provisioning option is provided. To use this feature, the transmit clock must be derived from the receive clock at the 622 MHz level external to the device. The add interface buffers align the data between the receive and transmit clock domains. This mode will only function correctly when the device is in STS-192 mode. It will not work in STS-48 mode since the four STS-48 streams need to be aligned through the transmit side. Four received STS-48 streams are unlikely to be aligned to the same clock and frame alignment. The appropriate per STS-48 transmit line AIS insert control will be active during receive LOS, receive LOF, or R_CLK failure while in regenerator loopback.

Device Mode Setup

The basic operating mode of the TSOT0410G4 is set using external pins.

The device can operate as a single STS-192 channel or as four separate STS-48 channels. The STS_MODE pin (AM17) determines which mode is used. Pulling the STS_MODE pin down to Vss selects STS-192 mode.

In applications where no rate adaptation is required or desired, the pointer generators and elastic stores in all path processing blocks can be bypassed by pulling up the DRPBYP pin (AP11) to VDD. In this case, receive timing will be used by the payload drop interface. This mode should only be used if the device is in STS-192 mode. See the Receive Pointer Processor section on page 62 for more information on how this mode affects the device.

The microprocessor interface can be set up to be synchronous by pulling up the MPMODE pin (E14) to VDD, or asynchronous by pulling down the pin to Vss. See the Microprocessor Interface section on page 93 for more information.

For normal device operation, the TRST_N pin (AP30) should be tied low (to Vss). If TRST_N is high, a TCK clock must be present.

Pin Information

Table 1. Pin Assignments for 600-Pin LPGA by Pin Number Order

Pin	Signal Name	Pin	Signal Name	Pin	Signal Name	Pin	Signal Name
A1	VDD	B1	VDD	C1	Vss	D1	Vss
A2	VDD	B2	VDD	C2	Vss	D2	Vss
A3	Vss	B3	Vss	C3	VDD	D3	Vss
A4	Vss	B4	Vss	C4	Vss	D4	VDD2
A5	VDD2	B5	TADCC_14	C5	TADCC_15	D5	TADCC_16
A6	VDD2	B6	TADCC_10	C6	TADCC_11	D6	TADCC_12
A7	Vss	B7	TADCC_6	C7	TADCC_7	D7	TADCC_8
A8	Vss	B8	TADCC_2	C8	TADCC_3	D8	TADCC_4
A9	DATA_15	B9	PARITY_1	C9	PARITY_0	D9	TADCK
A10	DATA_10	B10	DATA_11	C10	DATA_12	D10	DATA_13
A11	DATA_6	B11	DATA_7	C11	DATA_8	D11	DATA_9
A12	DATA_1	B12	DATA_2	C12	DATA_3	D12	DATA_4
A13	Vss	B13	TA_N	C13	TEA_N	D13	INT_N
A14	CS_N	B14	RW_N	C14	PCLK	D14	PM_CLK
A15	ADDRESS_2	B15	ADDRESS_1	C15	ADDRESS_0	D15	DS_N
A16	Vss	B16	ADDRESS_5	C16	ADDRESS_4	D16	ADDRESS_3
A17	VDD	B17	ADDRESS_9	C17	ADDRESS_8	D17	ADDRESS_7
A18	VDD	B18	ADDRESS_13	C18	ADDRESS_10	D18	ADDRESS_12
A19	ADDRESS_14	B19	TSUSER_4	C19	ADDRESS_15	D19	TEXPOW_4
A20	Vss	B20	TLDCC_4	C20	TSDCC_4	D20	TOW_CLK_4
A21	TLD_CLK_4	B21	TSD_CLK_4	C21	TOHDAT_4_0	D21	TOHEN_4
A22	TOH_CLK_4	B22	TOHFP_4	C22	TLCLOW_3	D22	TSUSER_3
A23	Vss	B23	TOW_CLK_3	C23	TLD_CLK_3	D23	TSD_CLK_3
A24	TSDCC_3	B24	TOHDAT_3_0	C24	TOHDAT_3_1	D24	TOHEN_3
A25	TOHFP_3	B25	TLCLOW_2	C25	TOW_CLK_2	D25	TLD_CLK_2
A26	TSD_CLK_2	B26	TEXPOW_2	C26	TSUSER_2	D26	NC
A27	TSDCC_2	B27	TOHDAT_2_0	C27	TOHDAT_2_1	D27	TOHEN_2
A28	Vss	B28	TOH_CLK_2	C28	TOHFP_2	D28	TLCLOW_1
A29	Vss	B29	TSUSER_1	C29	TLDCC_1	D29	TSDCC_1
A30	VDD2	B30	TSD_CLK_1	C30	TLD_CLK_1	D30	TOH_CLK_1
A31	VDD2	B31	TOHDAT_1_1	C31	TOHEN_1	D31	TOHFP_1
A32	Vss	B32	Vss	C32	Vss	D32	VDD2
A33	Vss	B33	Vss	C33	VDD	D33	Vss
A34	VDD	B34	VDD	C34	Vss	D34	Vss
A35	VDD	B35	VDD	C35	Vss	D35	Vss

Note: NC refers to no connect. Do not connect pins so designated.

Pin Information (continued)

Table 1. Pin Assignments for 600-Pin LPGA by Pin Number Order (continued)

Pin	Signal Name	Pin	Signal Name	Pin	Signal Name	Pin	Signal Name
E1	VDD2	F1	VDD2	J31	TD12N/TD_4_0N	N1	Vss
E2	ADATA_16	F2	ADATA_14	J32	T_CLKO_3	N2	NC
E3	ADATA_16N	F3	ADATA_14N	J33	T_CLKO_3N	N3	ADATA_5
E4	CTAP_ADD4	F4	ADATA_15	J34	TD11/TD_3_3	N4	ADATA_5N
E5	VDD2	F5	ADATA_15N	J35	TD11N/TD_3_3N	N5	NC
E6	TADCC_13	F31	TFRM	K1	ADATA_9	N31	TD5/TD_2_1
E7	TADCC_9	F32	TFRMN	K2	ADATA_9N	N32	TD5N/ TD_2_1N
E8	TADCC_5	F33	T_CLKO_4	K3	NC	N33	TD4/TD_2_0
E9	TADCC_1	F34	T_CLKO_4N	K4	ADATA_10	N34	TD4N/ TD_2_0N
E10	DATA_14	F35	VDD2	K5	ADATA_10N	N35	Vss
E11	VDD	G1	Vss	K31	NC	P1	ADATA_3
E12	DATA_5	G2	REXT_ADD	K32	TD10/TD_3_2	P2	ADATA_3N
E13	DATA_0	G3	NC	K33	TD10N/TD_3_2N	P3	ADATA_4
E14	MPMODE	G4	ADATA_13	K34	TD9/TD_3_1	P4	NC
E15	TS_N	G5	ADATA_13N	K35	TD9N/TD_3_1N	P5	ADATA_4N
E16	VDD2	G31	CTAP_TFRM	L1	ADATA_8	P31	T_CLKO_1
E17	ADDRESS_6	G32	TD15/TD_4_3	L2	ADATA_8N	P32	T_CLKO_1N
E18	ADDRESS_11	G33	TD15N/TD_4_3N	L3	NC	P33	TD3/TD_1_3
E19	TLCLOW_4	G34	TD14/TD_4_2	L4	CTAP_ADD2	P34	TD3N/ TD_1_3N
E20	VDD2	G35	Vss	L5	VDD	P35	TD2/TD_1_2
E21	TOHDAT_4_1	H1	Vss	L31	VDD	R1	ADATA_1
E22	TEXPOW_3	H2	ADATA_12	L32	TD8/TD_3_0	R2	ADATA_1N
E23	TLDCC_3	H3	ADATA_12N	L33	TD8N/TD_3_0N	R3	NC
E24	TOH_CLK_3	H4	NC	L34	T_CLKO_2	R4	ADATA_2
E25	VDD	H5	CTAP_ADD3	L35	T_CLKO_2N	R5	ADATA_2N
E26	TLDCC_2	H31	TD14N/ TD_4_2N	M1	CTAP_ADD1	R31	TD2N/ TD_1_2N
E27	NC	H32	TD13/TD_4_1	M2	ADATA_6	R32	TD1/TD_1_1
E28	TEXPOW_1	H33	TD13N/ TD_4_1N	M3	ADATA_6N	R33	TD1N/ TD_1_1N
E29	TOW_CLK_1	H34	TD12/TD_4_0	M4	ADATA_7	R34	TD0/TD_1_0
E30	TOHDAT_1_0	H35	Vss	M5	ADATA_7N	R35	TD0N/ TD_1_0N
E31	VDD2	J1	NC	M31	TD7/TD_2_3	T1	Vss
E32	T_CLK	J2	ADATA_11	M32	TD7N/TD_2_3N	T2	VDDA
E33	T_CLKN	J3	ADATA_11N	M33	NC	T3	VssA
E34	CTAP_TCLK	J4	VDDA	M34	TD6/TD_2_2	T4	NC
E35	VDD2	J5	VssA	M35	TD6N/TD_2_2N	T5	VDD2

Note: NC refers to no connect. Do not connect pins so designated.

Pin Information (continued)

Table 1. Pin Assignments for 600-Pin LPGA by Pin Number Order (continued)

Pin	Signal Name	Pin	Signal Name	Pin	Signal Name	Pin	Signal Name
T31	VDD2	Y1	Vss	AC31	R_CLK_2	AG1	NC
T32	NC	Y2	NC	AC32	R_CLK_2N	AG2	DCTL_4
T33	R_CLKO_1N	Y3	VssA	AC33	CTAP_RCLK2	AG3	DCTL_4N
T34	R_CLKO_1	Y4	VDDA	AC34	RD3/RD_1_3	AG4	DDATA_13
T35	Vss	Y5	VDD2	AC35	Vss	AG5	DDATA_13N
U1	DDATA_1	Y31	VDD2	AD1	VssA	AG31	RD10/RD_3_2
U2	NC	Y32	CTAP_RCLK1	AD2	VDDA	AG32	RD10N/ RD_3_2N
U3	NC	Y33	RFRM_4	AD3	DCTL_3	AG33	RD9/RD_3_1
U4	DCTL_1	Y34	RFRM_4N	AD4	DCTL_3N	AG34	RD9N/RD_3_1N
U5	DCTL_1N	Y35	Vss	AD5	REXT_DRP3	AG35	CTAP_RD3
U31	NC	AA1	DCTL_2	AD31	RD5/RD_2_1	AH1	Vss
U32	RFRM_1N	AA2	DCTL_2N	AD32	RD5N/RD_2_1N	AH2	VssA
U33	RFRM_1	AA3	DDATA_5	AD33	RD4/RD_2_0	AH3	VDDA
U34	R_CLKO_2N	AA4	DDATA_5N	AD34	RD4N/RD_2_0N	AH4	DDATA_14
U35	VDD	AA5	REXT_DRP2	AD35	CTAP_RD2	AH5	DDATA_14N
V1	VDD	AA31	RD0N/RD_1_0N	AE1	DDATA_9	AH31	CTAP_RCLK4
V2	DDATA_1N	AA32	RD0/RD_1_0	AE2	DDATA_9N	AH32	RD11/RD_3_3
V3	REXT_DRP1	AA33	CTAP_RD1	AE3	DDATA_10	AH33	RD11N/ RD_3_3N
V4	DDATA_2	AA34	R_CLK_1	AE4	DDATA_10N	AH34	NC
V5	DDATA_2N	AA35	R_CLK_1N	AE5	VDD	AH35	Vss
V31	RFRM_2N	AB1	NC	AE31	VDD	AJ1	Vss
V32	RFRM_2	AB2	DDATA_6	AE32	RD7/RD_2_3	AJ2	NC
V33	R_CLKO_2	AB3	DDATA_6N	AE33	RD7N/RD_2_3N	AJ3	REXT_DRP4
V34	R_CLKO_3N	AB4	DDATA_7	AE34	RD6/RD_2_2	AJ4	DDATA_15
V35	VDD	AB5	DDATA_7N	AE35	RD6N/RD_2_2N	AJ5	DDATA_15N
W1	VDD	AB31	RD2/RD_1_2	AF1	NC	AJ31	RD12/RD_4_0
W2	DDATA_3	AB32	RD3N/RD_1_3N	AF2	DDATA_11	AJ32	RD12N/ RD_4_0N
W3	DDATA_3N	AB33	RD2N/RD_1_2N	AF3	DDATA_11N	AJ33	R_CLK_4
W4	DDATA_4	AB34	RD1/RD_1_1	AF4	DDATA_12	AJ34	R_CLK_4N
W5	DDATA_4N	AB35	RD1N/RD_1_1N	AF5	DDATA_12N	AJ35	Vss
W31	RFRM_3	AC1	Vss	AF31	RD8/RD_3_0	AK1	VDD2
W32	R_CLKO_4N	AC2	NC	AF32	RD8N/RD_3_0N	AK2	DDATA_16
W33	RFRM_3N	AC3	DDATA_8	AF33	R_CLK_3	AK3	DDATA_16N
W34	R_CLKO_4	AC4	DDATA_8N	AF34	R_CLK_3N	AK4	NC
W35	R_CLKO_3	AC5	NC	AF35	CTAP_RCLK3	AK5	REF10E

Note: NC refers to no connect. Do not connect pins so designated.

Pin Information (continued)

Table 1. Pin Assignments for 600-Pin LPGA by Pin Number Order (continued)

Pin	Signal Name	Pin	Signal Name	Pin	Signal Name	Pin	Signal Name
AK31	RD14/RD_4_2	AL31	VDD2	AM31	RESLOL	AN31	RESHIL
AK32	RD14N/RD_4_2N	AL32	RD15/RD_4_3	AM32	VDD2	AN32	VSS
AK33	RD13/RD_4_1	AL33	RD15N/RD_4_3N	AM33	VSS	AN33	VDD
AK34	RD13N/RD_4_1N	AL34	CTAP_RD4	AM34	VSS	AN34	VSS
AK35	VDD2	AL35	VDD2	AM35	VSS	AN35	VSS
AL1	VDD2	AM1	VSS	AN1	VSS	AP1	VDD
AL2	REF14E	AM2	VSS	AN2	VSS	AP2	VDD
AL3	RESHIE	AM3	VSS	AN3	VDD	AP3	VSS
AL4	RESLOE	AM4	VDD2	AN4	VSS	AP4	VSS
AL5	VDD2	AM5	PULLDN	AN5	PULLDN	AP5	PULLDN
AL6	PULLDN	AM6	PULLDN	AN6	PULLDN	AP6	PULLUP
AL7	PULLUP	AM7	PULLDN	AN7	PULLDN	AP7	PULLDN
AL8	NC	AM8	NC	AN8	NC	AP8	NC
AL9	NC	AM9	NC	AN9	NC	AP9	NC
AL10	PULLDN	AM10	PULLDN	AN10	PULLDN	AP10	PULLDN
AL11	VDD	AM11	DFRM	AN11	D_CLK	AP11	DRPBYP
AL12	RDDCC_15	AM12	RDDCC_14	AN12	RDDCC_13	AP12	RDDCK_4
AL13	RDDCC_11	AM13	RDDCC_10	AN13	RDDCC_9	AP13	RDDCK_3
AL14	RDDCC_7	AM14	RDDCC_8	AN14	RDDCC_6	AP14	RDDCC_5
AL15	RDDCC_3	AM15	RDDCC_4	AN15	RDDCC_2	AP15	RDDCC_1
AL16	VDD2	AM16	PULLUP	AN16	PULLUP	AP16	RST_N
AL17	RSUSER_4	AM17	STS_MODE	AN17	RSD_CLK_4	AP17	HIZ_N
AL18	ROHFP_4	AM18	ROH_CLK_4	AN18	ROHDAT_4_1	AP18	ROW_CLK_4
AL19	RLCLOW_4	AM19	RLDCC_4	AN19	RLD_CLK_4	AP19	ROHDAT_4_0
AL20	VDD2	AM20	RSD_CLK_3	AN20	RSUSER_3	AP20	REXPOW_4
AL21	ROHDAT_3_1	AM21	ROHFP_3	AN21	ROH_CLK_3	AP21	ROW_CLK_3
AL22	REXPOW_3	AM22	RLCLOW_3	AN22	RLDCC_3	AP22	RLD_CLK_3
AL23	ROW_CLK_2	AM23	RSDCC_2	AN23	RSD_CLK_2	AP23	RSUSER_2
AL24	RLD_CLK_2	AM24	ROHDAT_2_0	AN24	ROHDAT_2_1	AP24	ROHFP_2
AL25	VDD	AM25	RSUSER_1	AN25	REXPOW_2	AP25	RLCLOW_2
AL26	ROHFP_1	AM26	ROH_CLK_1	AN26	ROW_CLK_1	AP26	RSDCC_1
AL27	RLCLOW_1	AM27	RLDCC_1	AN27	RLD_CLK_1	AP27	ROHDAT_1_0
AL28	PULLDN	AM28	PULLDN	AN28	PULLDN	AP28	REXPOW_1
AL29	TDI	AM29	TCK	AN29	NC	AP29	PULLDN
AL30	REF10L	AM30	TDO	AN30	TMS	AP30	TRST_N

Note: NC refers to no connect. Do not connect pins so designated.

Pin Information (continued)

Table 1. Pin Assignments for 600-Pin LBGAs by Pin Number Order (continued)

Pin	Signal Name	Pin	Signal Name	Pin	Signal Name	Pin	Signal Name
AP31	REF14L	AR6	VDD2	AR16	Vss	AR26	RSD_CLK_1
AP32	Vss	AR7	Vss	AR17	RSDCC_4	AR27	ROHDAT_1_1
AP33	Vss	AR8	Vss	AR18	VDD	AR28	Vss
AP34	VDD	AR9	NC	AR19	VDD	AR29	Vss
AP35	VDD	AR10	PULLDN	AR20	Vss	AR30	VDD2
AR1	VDD	AR11	RDDCC_16	AR21	RSDCC_3	AR31	VDD2
AR2	VDD	AR12	RDDCC_12	AR22	ROHDAT_3_0	AR32	Vss
AR3	Vss	AR13	Vss	AR23	Vss	AR33	Vss
AR4	Vss	AR14	RDDCK_2	AR24	ROH_CLK_2	AR34	VDD
AR5	VDD2	AR15	RDDCK_1	AR25	RLDCC_2	AR35	VDD

Note: NC refers to no connect. Do not connect pins so designated.

Pin Information (continued)

Table 2. Pin Assignments for 600-Pin LBGAs by Signal Name Order

Pin	Signal Name	Pin	Signal Name	Pin	Signal Name	Pin	Signal Name
R1	ADATA_1	D16	ADDRESS_3	A11	DATA_6	AE2	DDATA_9N
R2	ADATA_1N	C16	ADDRESS_4	B11	DATA_7	AE3	DDATA_10
R4	ADATA_2	B16	ADDRESS_5	C11	DATA_8	AE4	DDATA_10N
R5	ADATA_2N	E17	ADDRESS_6	D11	DATA_9	AF2	DDATA_11
P1	ADATA_3	D17	ADDRESS_7	A10	DATA_10	AF3	DDATA_11N
P2	ADATA_3N	C17	ADDRESS_8	B10	DATA_11	AF4	DDATA_12
P3	ADATA_4	B17	ADDRESS_9	C10	DATA_12	AF5	DDATA_12N
P5	ADATA_4N	C18	ADDRESS_10	D10	DATA_13	AG4	DDATA_13
N3	ADATA_5	E18	ADDRESS_11	E10	DATA_14	AG5	DDATA_13N
N4	ADATA_5N	D18	ADDRESS_12	A9	DATA_15	AH4	DDATA_14
M2	ADATA_6	B18	ADDRESS_13	U4	DCTL_1	AH5	DDATA_14N
M3	ADATA_6N	A19	ADDRESS_14	U5	DCTL_1N	AJ4	DDATA_15
M4	ADATA_7	C19	ADDRESS_15	AA1	DCTL_2	AJ5	DDATA_15N
M5	ADATA_7N	A14	CS_N	AA2	DCTL_2N	AK2	DDATA_16
L1	ADATA_8	M1	CTAP_ADD1	AD3	DCTL_3	AK3	DDATA_16N
L2	ADATA_8N	L4	CTAP_ADD2	AD4	DCTL_3N	AM11	DFRM
K1	ADATA_9	H5	CTAP_ADD3	AG2	DCTL_4	AP11	DRPBYP
K2	ADATA_9N	E4	CTAP_ADD4	AG3	DCTL_4N	D15	DS_N
K4	ADATA_10	Y32	CTAP_RCLK1	U1	DDATA_1	AP17	HIZ_N
K5	ADATA_10N	AC33	CTAP_RCLK2	V2	DDATA_1N	D13	INT_N
J2	ADATA_11	AF35	CTAP_RCLK3	V4	DDATA_2	E14	MPMODE
J3	ADATA_11N	AH31	CTAP_RCLK4	V5	DDATA_2N	D26	NC
H2	ADATA_12	AA33	CTAP_RD1	W2	DDATA_3	E27	NC
H3	ADATA_12N	AD35	CTAP_RD2	W3	DDATA_3N	G3	NC
G4	ADATA_13	AG35	CTAP_RD3	W4	DDATA_4	H4	NC
G5	ADATA_13N	AL34	CTAP_RD4	W5	DDATA_4N	J1	NC
F2	ADATA_14	E34	CTAP_TCLK	AA3	DDATA_5	K3	NC
F3	ADATA_14N	G31	CTAP_TFRM	AA4	DDATA_5N	K31	NC
F4	ADATA_15	AN11	D_CLK	AB2	DDATA_6	L3	NC
F5	ADATA_15N	E13	DATA_0	AB3	DDATA_6N	M33	NC
E2	ADATA_16	A12	DATA_1	AB4	DDATA_7	N2	NC
E3	ADATA_16N	B12	DATA_2	AB5	DDATA_7N	N5	NC
C15	ADDRESS_0	C12	DATA_3	AC3	DDATA_8	P4	NC
B15	ADDRESS_1	D12	DATA_4	AC4	DDATA_8N	R3	NC
A15	ADDRESS_2	E12	DATA_5	AE1	DDATA_9	T4	NC

Note: NC refers to no connect. Do not connect pins so designated.

Pin Information (continued)

Table 2. Pin Assignments for 600-Pin LPGA by Signal Name Order (continued)

Pin	Signal Name	Pin	Signal Name	Pin	Signal Name	Pin	Signal Name
T32	NC	AN5	PULLDN	AB33	RD2N/RD_1_2N	AN13	RDDCC_9
U2	NC	AN6	PULLDN	AC34	RD3/RD_1_3	AM13	RDDCC_10
U3	NC	AN7	PULLDN	AB32	RD3N/RD_1_3N	AL13	RDDCC_11
U31	NC	AN10	PULLDN	AD33	RD4/RD_2_0	AR12	RDDCC_12
Y2	NC	AN28	PULLDN	AD34	RD4N/RD_2_0N	AN12	RDDCC_13
AB1	NC	AP5	PULLDN	AD31	RD5/RD_2_1	AM12	RDDCC_14
AC2	NC	AP7	PULLDN	AD32	RD5N/RD_2_1N	AL12	RDDCC_15
AC5	NC	AP10	PULLDN	AE34	RD6/RD_2_2	AR11	RDDCC_16
AF1	NC	AP29	PULLDN	AE35	RD6N/RD_2_2N	AR15	RDDCK_1
AG1	NC	AR10	PULLDN	AE32	RD7/RD_2_3	AR14	RDDCK_2
AH34	NC	AL7	PULLUP	AE33	RD7N/RD_2_3N	AP13	RDDCK_3
AJ2	NC	AP6	PULLUP	AF31	RD8/RD_3_0	AP12	RDDCK_4
AK4	NC	AM16	PULLUP	AF32	RD8N/RD_3_0N	AK5	REF10E
AL8	NC	AN16	PULLUP	AG33	RD9/RD_3_1	AL30	REF10L
AL9	NC	AA34	R_CLK_1	AG34	RD9N/RD_3_1N	AL2	REF14E
AM8	NC	AA35	R_CLK_1N	AG31	RD10/RD_3_2	AP31	REF14L
AM9	NC	AC31	R_CLK_2	AG32	RD10N/RD_3_2N	AL3	RESHIE
AN8	NC	AC32	R_CLK_2N	AH32	RD11/RD_3_3	AN31	RESHIL
AN9	NC	AF33	R_CLK_3	AH33	RD11N/RD_3_3N	AL4	RESLOE
AN29	NC	AF34	R_CLK_3N	AJ31	RD12/RD_4_0	AM31	RESLOL
AP8	NC	AJ33	R_CLK_4	AJ32	RD12N/RD_4_0N	AP28	REXPOW_1
AP9	NC	AJ34	R_CLK_4N	AK33	RD13/RD_4_1	AN25	REXPOW_2
AR9	NC	T34	R_CLKO_1	AK34	RD13N/RD_4_1N	AL22	REXPOW_3
C9	PARITY_0	T33	R_CLKO_1N	AK31	RD14/RD_4_2	AP20	REXPOW_4
B9	PARITY_1	V33	R_CLKO_2	AK32	RD14N/RD_4_2N	G2	REXT_ADD
C14	PCLK	U34	R_CLKO_2N	AL32	RD15/RD_4_3	V3	REXT_DRP1
D14	PM_CLK	W35	R_CLKO_3	AL33	RD15N/RD_4_3N	AA5	REXT_DRP2
AL6	PULLDN	V34	R_CLKO_3N	AP15	RDDCC_1	AD5	REXT_DRP3
AL10	PULLDN	W34	R_CLKO_4	AN15	RDDCC_2	AJ3	REXT_DRP4
AL28	PULLDN	W32	R_CLKO_4N	AL15	RDDCC_3	U33	RFRM_1
AM5	PULLDN	AA32	RD0/RD_1_0	AM15	RDDCC_4	U32	RFRM_1N
AM6	PULLDN	AA31	RD0N/RD_1_0N	AP14	RDDCC_5	V32	RFRM_2
AM7	PULLDN	AB34	RD1/RD_1_1	AN14	RDDCC_6	V31	RFRM_2N
AM10	PULLDN	AB35	RD1N/RD_1_1N	AL14	RDDCC_7	W31	RFRM_3
AM28	PULLDN	AB31	RD2/RD_1_2	AM14	RDDCC_8	W33	RFRM_3N

Note: NC refers to no connect. Do not connect pins so designated.

Pin Information (continued)

Table 2. Pin Assignments for 600-Pin LPGA by Signal Name Order (continued)

Pin	Signal Name	Pin	Signal Name	Pin	Signal Name	Pin	Signal Name
Y33	RFRM_4	AN23	RSD_CLK_2	C6	TADCC_11	H33	TD13N/TD_4_1N
Y34	RFRM_4N	AM20	RSD_CLK_3	D6	TADCC_12	G34	TD14/TD_4_2
AL27	RLCLOW_1	AN17	RSD_CLK_4	E6	TADCC_13	H31	TD14N/TD_4_2N
AP25	RLCLOW_2	AP26	RSDCC_1	B5	TADCC_14	G32	TD15/TD_4_3
AM22	RLCLOW_3	AM23	RSDCC_2	C5	TADCC_15	G33	TD15N/TD_4_3N
AL19	RLCLOW_4	AR21	RSDCC_3	D5	TADCC_16	AL29	TDI
AN27	RLD_CLK_1	AR17	RSDCC_4	D9	TADCK	AM30	TDO
AL24	RLD_CLK_2	AP16	RST_N	AM29	TCK	C13	TEA_N
AP22	RLD_CLK_3	AM25	RSUSER_1	R34	TD0/TD_1_0	E28	TEXPOW_1
AN19	RLD_CLK_4	AP23	RSUSER_2	R35	TD0N/TD_1_0N	B26	TEXPOW_2
AM27	RLDCC_1	AN20	RSUSER_3	R32	TD1/TD_1_1	E22	TEXPOW_3
AR25	RLDCC_2	AL17	RSUSER_4	R33	TD1N/TD_1_1N	D19	TEXPOW_4
AN22	RLDCC_3	B14	RW_N	P35	TD2/TD_1_2	F31	TFRM
AM19	RLDCC_4	AM17	STS_MODE	R31	TD2N/TD_1_2N	F32	TFRMN
AM26	ROH_CLK_1	E32	T_CLK	P33	TD3/TD_1_3	D28	TLCLOW_1
AR24	ROH_CLK_2	E33	T_CLKN	P34	TD3N/TD_1_3N	B25	TLCLOW_2
AN21	ROH_CLK_3	P31	T_CLKO_1	N33	TD4/TD_2_0	C22	TLCLOW_3
AM18	ROH_CLK_4	P32	T_CLKO_1N	N34	TD4N/TD_2_0N	E19	TLCLOW_4
AP27	ROHDAT_1_0	L34	T_CLKO_2	N31	TD5/TD_2_1	C30	TLD_CLK_1
AR27	ROHDAT_1_1	L35	T_CLKO_2N	N32	TD5N/TD_2_1N	D25	TLD_CLK_2
AM24	ROHDAT_2_0	J32	T_CLKO_3	M34	TD6/TD_2_2	C23	TLD_CLK_3
AN24	ROHDAT_2_1	J33	T_CLKO_3N	M35	TD6N/TD_2_2N	A21	TLD_CLK_4
AR22	ROHDAT_3_0	F33	T_CLKO_4	M31	TD7/TD_2_3	C29	TLDCC_1
AL21	ROHDAT_3_1	F34	T_CLKO_4N	M32	TD7N/TD_2_3N	E26	TLDCC_2
AP19	ROHDAT_4_0	B13	TA_N	L32	TD8/TD_3_0	E23	TLDCC_3
AN18	ROHDAT_4_1	E9	TADCC_1	L33	TD8N/TD_3_0N	B20	TLDCC_4
AL26	ROHFP_1	B8	TADCC_2	K34	TD9/TD_3_1	AN30	TMS
AP24	ROHFP_2	C8	TADCC_3	K35	TD9N/TD_3_1N	D30	TOH_CLK_1
AM21	ROHFP_3	D8	TADCC_4	K32	TD10/TD_3_2	B28	TOH_CLK_2
AL18	ROHFP_4	E8	TADCC_5	K33	TD10N/TD_3_2N	E24	TOH_CLK_3
AN26	ROW_CLK_1	B7	TADCC_6	J34	TD11/TD_3_3	A22	TOH_CLK_4
AL23	ROW_CLK_2	C7	TADCC_7	J35	TD11N/TD_3_3N	E30	TOHDAT_1_0
AP21	ROW_CLK_3	D7	TADCC_8	H34	TD12/TD_4_0	B31	TOHDAT_1_1
AP18	ROW_CLK_4	E7	TADCC_9	J31	TD12N/TD_4_0N	B27	TOHDAT_2_0
AR26	RSD_CLK_1	B6	TADCC_10	H32	TD13/TD_4_1	C27	TOHDAT_2_1

Note: NC refers to no connect. Do not connect pins so designated.

Pin Information (continued)

Table 2. Pin Assignments for 600-Pin LPGA by Signal Name Order (continued)

Pin	Signal Name	Pin	Signal Name	Pin	Signal Name	Pin	Signal Name
B24	TOHDAT_3_0	A35	VDD	D4	VDD2	A7	Vss
C24	TOHDAT_3_1	B1	VDD	D32	VDD2	A8	Vss
C21	TOHDAT_4_0	B2	VDD	E1	VDD2	A13	Vss
E21	TOHDAT_4_1	B34	VDD	E5	VDD2	A16	Vss
C31	TOHEN_1	B35	VDD	E16	VDD2	A20	Vss
D27	TOHEN_2	C3	VDD	E20	VDD2	A23	Vss
D24	TOHEN_3	C33	VDD	E31	VDD2	A28	Vss
D21	TOHEN_4	E11	VDD	E35	VDD2	A29	Vss
D31	TOHFP_1	E25	VDD	F1	VDD2	A32	Vss
C28	TOHFP_2	L5	VDD	F35	VDD2	A33	Vss
A25	TOHFP_3	L31	VDD	T5	VDD2	B3	Vss
B22	TOHFP_4	U35	VDD	T31	VDD2	B4	Vss
E29	TOW_CLK_1	V1	VDD	Y5	VDD2	B32	Vss
C25	TOW_CLK_2	V35	VDD	Y31	VDD2	B33	Vss
B23	TOW_CLK_3	W1	VDD	AK1	VDD2	C1	Vss
D20	TOW_CLK_4	AE5	VDD	AK35	VDD2	C2	Vss
AP30	TRST_N	AE31	VDD	AL1	VDD2	C4	Vss
E15	TS_N	AL11	VDD	AL5	VDD2	C32	Vss
B30	TSD_CLK_1	AL25	VDD	AL16	VDD2	C34	Vss
A26	TSD_CLK_2	AN3	VDD	AL20	VDD2	C35	Vss
D23	TSD_CLK_3	AN33	VDD	AL31	VDD2	D1	Vss
B21	TSD_CLK_4	AP1	VDD	AL35	VDD2	D2	Vss
D29	TSDCC_1	AP2	VDD	AM4	VDD2	D3	Vss
A27	TSDCC_2	AP34	VDD	AM32	VDD2	D33	Vss
A24	TSDCC_3	AP35	VDD	AR5	VDD2	D34	Vss
C20	TSDCC_4	AR1	VDD	AR6	VDD2	D35	Vss
B29	TSUSER_1	AR2	VDD	AR30	VDD2	G1	Vss
C26	TSUSER_2	AR18	VDD	AR31	VDD2	G35	Vss
D22	TSUSER_3	AR19	VDD	J4	VDDA	H1	Vss
B19	TSUSER_4	AR34	VDD	T2	VDDA	H35	Vss
A1	VDD	AR35	VDD	Y4	VDDA	N1	Vss
A2	VDD	A5	VDD2	AD2	VDDA	N35	Vss
A17	VDD	A6	VDD2	AH3	VDDA	T1	Vss
A18	VDD	A30	VDD2	A3	Vss	T35	Vss
A34	VDD	A31	VDD2	A4	Vss	Y1	Vss

Note: NC refers to no connect. Do not connect pins so designated.

Pin Information (continued)

Table 2. Pin Assignments for 600-Pin LPGA by Signal Name Order (continued)

Pin	Signal Name	Pin	Signal Name	Pin	Signal Name	Pin	Signal Name
Y35	Vss	AM33	Vss	AP4	Vss	AR23	Vss
AC1	Vss	AM34	Vss	AP32	Vss	AR28	Vss
AC35	Vss	AM35	Vss	AP33	Vss	AR29	Vss
AH1	Vss	AN1	Vss	AR3	Vss	AR32	Vss
AH35	Vss	AN2	Vss	AR4	Vss	AR33	Vss
AJ1	Vss	AN4	Vss	AR7	Vss	J5	VssA
AJ35	Vss	AN32	Vss	AR8	Vss	T3	VssA
AM1	Vss	AN34	Vss	AR13	Vss	Y3	VssA
AM2	Vss	AN35	Vss	AR16	Vss	AD1	VssA
AM3	Vss	AP3	Vss	AR20	Vss	AH2	VssA

Note: NC refers to no connect. Do not connect pins so designated.

Table 3. Pin Descriptions—System Control

Pin	Symbol	Type ¹	Name/Description
AP17	HIZ_N	I ^u	Global Pin 3-State Control (Active-Low). This input incorporates a Schmitt trigger. The minimum hysteresis is 0.3 V. Setting this input to 0 causes all TSOT0410G4 outputs to assume a high-impedance state except for the JTAG test data output (TDO) pin.
AP16	RST_N	I ^u	Asynchronous Chip Reset (Active-Low). This input incorporates a Schmitt trigger. The minimum hysteresis is 0.3 V. Setting this input to 0 causes an asynchronous reset of the device. To ensure proper reset, this input should be held low for a minimum of 26 ns (at least two 77.76 MHz clock cycles).
AM17	STS_MODE	I ^d	STS Mode Select. See the Device Mode Setup section on page 16 for details. 1 = STS-48. 0 = STS-192.
AP11	DRPBYP	I ^d	Pointer Generator Bypass Enable. See Pointer Generator Functions on page 65 for details. 1 = Bypass. 0 = Enable pointer generator.
E14	MPMODE	I ^u	Microprocessor Mode. See the Microprocessor Interface section on page 93 for details. 1 = Synchronous mode. 0 = Asynchronous mode.
D14	PM_CLK	I	One Second Performance Monitoring Clock. The performance monitoring registers are updated on the rising edge of this signal. The internal PM anomaly counters are cleared at the same time. PM_CLK must be high for at least 26 ns, and low for at least 26 ns. The period of the performance monitoring clock will normally be 1 s, but the minimum period required for proper operation is 325 ns (during testing and development, for example).

1. I = input, I^d = input with internal pull-down resistor, I^u = input with internal pull-up resistor. The value of all internal pull-up/pull-down resistors is 50 kΩ. All I/Os in Table 3 are 5 V tolerant, 3.3 V TTL. They will tolerate 5 V at their inputs or outputs.

Pin Information (continued)

Table 4. Pin Descriptions—Receive Line Interface

Pin	STS-192 Symbol	STS-48 Symbol	Type ¹	Name/Description
AA34 AA35	R_CLK_1 R_CLK_1N	R_CLK_1 R_CLK_1N	I LVDS	STS_MODE = 1: STS-48 receive channel 1 clock (622 MHz). STS_MODE = 0: STS-192 receive channel 1 clock (622 MHz).
T34 T33	R_CLKO_1 R_CLKO_1N	R_CLKO_1 R_CLKO_1N	O LVDS	Receive Clock 1 Loopback. STS_MODE = 1: STS-48 clock loopback output for channel 1. STS_MODE = 0: STS-192 clock loopback.
AA32 AA31	RD0 RD0N	RD_1_0 RD_1_0N	I LVDS	STS_MODE = 1: STS-48 receive channel 1 bit 1 (LSB). STS_MODE = 0: STS-192 receive channel 1 bit 0 (LSB).
AB34 AB35	RD1 RD1N	RD_1_1 RD_1_1N	I LVDS	STS_MODE = 1: STS-48 receive channel 1 bit 2. STS_MODE = 0: STS-192 receive channel 1 bit 1.
AB31 AB33	RD2 RD2N	RD_1_2 RD_1_2N	I LVDS	STS_MODE = 1: STS-48 receive channel 1 bit 3. STS_MODE = 0: STS-192 receive channel 1 bit 2.
AC34 AB32	RD3 RD3N	RD_1_3 RD_1_3N	I LVDS	STS_MODE = 1: STS-48 receive channel 1 bit 4. STS_MODE = 0: STS-192 receive channel 1 bit 3.
U33 U32	RFRM_1 RFRM_1N	RFRM_1 RFRM_1N	O LVDS	STS_MODE = 1: STS-48 receive channel 1 frame sync. STS_MODE = 0: STS-192 receive channel 1 frame sync.
AC31 AC32	R_CLK_2 R_CLK_2N	R_CLK_2 R_CLK_2N	I LVDS	STS_MODE = 1: STS-48 receive channel 2 clock (622 MHz). STS_MODE = 0: Not used.
V33 U34	R_CLKO_2 R_CLKO_2N	R_CLKO_2 R_CLKO_2N	O LVDS	Receive Clock 2 Loopback. STS_MODE = 1: STS-48 clock loopback output for channel 2. STS_MODE = 0: Copy of receive clock 1 loopback.
AD33 AD34	RD4 RD4N	RD_2_0 RD_2_0N	I LVDS	STS_MODE = 1: STS-48 receive channel 2 bit 1 (LSB). STS_MODE = 0: STS-192 receive channel 1 bit 4.
AD31 AD32	RD5 RD5N	RD_2_1 RD_2_1N	I LVDS	STS_MODE = 1: STS-48 receive channel 2 bit 2. STS_MODE = 0: STS-192 receive channel 1 bit 5.
AE34 AE35	RD6 RD6N	RD_2_2 RD_2_2N	I LVDS	STS_MODE = 1: STS-48 receive channel 2 bit 3. STS_MODE = 0: STS-192 receive channel 1 bit 6.
AE32 AE33	RD7 RD7N	RD_2_3 RD_2_3N	I LVDS	STS_MODE = 1: STS-48 receive channel 2 bit 4. STS_MODE = 0: STS-192 receive channel 1 bit 7.
V32 V31	RFRM_1 RFRM_1N	RFRM_1 RFRM_1N	O LVDS	STS_MODE = 1: STS-48 receive channel 2 frame sync. STS_MODE = 0: Not used.
AF33 AF34	R_CLK_3 R_CLK_3N	R_CLK_3 R_CLK_3N	I LVDS	STS_MODE = 1: STS-48 receive channel 3 clock (622 MHz). STS_MODE = 0: Not used.
W35 V34	R_CLKO_3 R_CLKO_3N	R_CLKO_3 R_CLKO_3N	O LVDS	Receive Clock 3 Loopback. STS_MODE = 1: STS-48 clock loopback output for channel 3. STS_MODE = 0: Copy of receive clock 1 loopback.
AF31 AF32	RD8 RD8N	RD_3_0 RD_3_0N	I LVDS	STS_MODE = 1: STS-48 receive channel 3 bit 1 (LSB). STS_MODE = 0: STS-192 receive channel 1 bit 8.
AG33 AG34	RD9 RD9N	RD_3_1 RD_3_1N	I LVDS	STS_MODE = 1: STS-48 receive channel 3 bit 2. STS_MODE = 0: STS-192 receive channel 1 bit 9.

1. I = input, O = output, LVDS = low-voltage differential signal.

Pin Information (continued)

Table 4. Pin Descriptions—Receive Line Interface (continued)

Pin	STS-192 Symbol	STS-48 Symbol	Type ¹	Name/Description
AG31 AG32	RD10 RD10N	RD_3_2 RD_3_2N	I LVDS	STS_MODE = 1: STS-48 receive channel 3 bit 3. STS_MODE = 0: STS-192 receive channel 1 bit 10.
AH32 AH33	RD11 RD11N	RD_3_3 RD_3_3N	I LVDS	STS_MODE = 1: STS-48 receive channel 3 bit 4. STS_MODE = 0: STS-192 receive channel 1 bit 11.
W31 W33	RFRM_3 RFRM_3N	RFRM_3 RFRM_3N	O LVDS	STS_MODE = 1: STS-48 receive channel 3 frame sync. STS_MODE = 0: Not used.
AJ33 AJ34	R_CLK_4 R_CLK_4N	R_CLK_4 R_CLK_4N	I LVDS	STS_MODE = 1: STS-48 receive channel 4 clock (622 MHz). STS_MODE = 0: Not used.
W34 W32	R_CLKO_4 R_CLKO_4N	R_CLKO_4 R_CLKO_4N	O LVDS	Receive Clock 4 Loopback. STS_MODE = 1: STS-48 clock loopback output for channel 4. STS_MODE = 0: Copy of receive clock 1 loopback.
AJ31 AJ32	RD12 RD12N	RD_4_0 RD_4_0N	I LVDS	STS_MODE = 1: STS-48 receive channel 4 bit 1 (LSB). STS_MODE = 0: STS-192 receive channel 1 bit 12.
AK33 AK34	RD13 RD13N	RD_4_1 RD_4_1N	I LVDS	STS_MODE = 1: STS-48 receive channel 4 bit 2. STS_MODE = 0: STS-192 receive channel 1 bit 13.
AK31 AK32	RD14 RD14N	RD_4_2 RD_4_2N	I LVDS	STS_MODE = 1: STS-48 receive channel 4 bit 3. STS_MODE = 0: STS-192 receive channel 1 bit 14.
AL32 AL33	RD15 RD15N	RD_4_3 RD_4_3N	I LVDS	STS_MODE = 1: STS-48 receive channel 4 bit 4. STS_MODE = 0: STS-192 receive channel 1 bit 15 (MSB).
Y33 Y34	RFRM_4 RFRM_4N	RFRM_4 RFRM_4N	O LVDS	STS_MODE = 1: STS-48 receive channel 4 frame sync. STS_MODE = 0: Not used.

1. I = input, O = output, LVDS = low-voltage differential signal.

Table 5. Pin Descriptions—Transmit Line Interface

Pin	STS-192 Symbol	STS-48 Symbol	Type ¹	Name/Description
E32 E33	T_CLK T_CLKN	T_CLK T_CLKN	I LVDS	Transmit Clock. 622 MHz clock input for all channels. This is the clock input to the entire transmit section.
F31 F32	TFRM TFRMN	TFRM TFRMN	I LVDS	Transmit Frame Sync. Frame sync input for all channels. This signal is required for operation of the transmit section. TFRM must be low for at least 32 T_CLK clock periods and then stay high for at least 32 more T_CLK periods after the rising edge. See the Add Interface Framing (A1 and A2) section on page 82 for details.
P31 P32	T_CLKO_1 T_CLKO_1N	T_CLKO_1 T_CLKO_1N	O LVDS	Transmit Clock 1 Loopback. Transmit clock output. STS_MODE = 1: STS-48 clock output for channel 1. STS_MODE = 0: STS-192 transmit clock output.
R34 R35	TD0 TD0N	TD_1_0 TD_1_0N	O LVDS	STS_MODE = 1: STS-48 transmit channel 1 bit 1 (LSB). STS_MODE = 0: STS-192 transmit channel 1 bit 0 (LSB).

1. I = input, O = output, LVDS = low-voltage differential signal.

Pin Information (continued)

Table 5. Pin Descriptions—Transmit Line Interface (continued)

Pin	STS-192 Symbol	STS-48 Symbol	Type ¹	Name/Description
R32 R33	TD1 TD1N	TD_1_1 TD_1_1N	O LVDS	STS_MODE = 1: STS-48 transmit channel 1 bit 2. STS_MODE = 0: STS-192 transmit channel 1 bit 1.
P35 R31	TD2 TD2N	TD_1_2 TD_1_2N	O LVDS	STS_MODE = 1: STS-48 transmit channel 1 bit 3. STS_MODE = 0: STS-192 transmit channel 1 bit 2.
P33 P34	TD3 TD3N	TD_1_3 TD_1_3N	O LVDS	STS_MODE = 1: STS-48 transmit channel 1 bit 4. STS_MODE = 0: STS-192 transmit channel 1 bit 3.
L34 L35	T_CLKO_2 T_CLKO_2N	T_CLKO_2 T_CLKO_2N	O LVDS	Transmit Clock 2 Loopback. Transmit clock output. STS_MODE = 1: STS-48 clock output for channel 2. STS_MODE = 0: Copy of transmit clock 1 loopback.
N33 N34	TD4 TD4N	TD_2_0 TD_2_0N	O LVDS	STS_MODE = 1: STS-48 transmit channel 2 bit 1 (LSB). STS_MODE = 0: STS-192 transmit channel 1 bit 4.
N31 N32	TD5 TD5N	TD_2_1 TD_2_1N	O LVDS	STS_MODE = 1: STS-48 transmit channel 2 bit 2. STS_MODE = 0: STS-192 transmit channel 1 bit 5.
M34 M35	TD6 TD6N	TD_2_2 TD_2_2N	O LVDS	STS_MODE = 1: STS-48 transmit channel 2 bit 3. STS_MODE = 0: STS-192 transmit channel 1 bit 6.
M31 M32	TD7 TD7N	TD_2_3 TD_2_3N	O LVDS	STS_MODE = 1: STS-48 transmit channel 2 bit 4. STS_MODE = 0: STS-192 transmit channel 1 bit 7.
J32 J33	T_CLKO_3 T_CLKO_3N	T_CLKO_3 T_CLKO_3N	O LVDS	Transmit Clock 3 Loopback. Transmit clock output. STS_MODE = 1: STS-48 clock output for channel 3. STS_MODE = 0: Copy of transmit clock 1 loopback.
L32 L33	TD8 TD8N	TD_3_0 TD_3_0N	O LVDS	STS_MODE = 1: STS-48 transmit channel 3 bit 1 (LSB). STS_MODE = 0: STS-192 transmit channel 1 bit 8.
K34 K35	TD9 TD9N	TD_3_1 TD_3_1N	O LVDS	STS_MODE = 1: STS-48 transmit channel 3 bit 2. STS_MODE = 0: STS-192 transmit channel 1 bit 9.
K32 K33	TD10 TD10N	TD_3_2 TD_3_2N	O LVDS	STS_MODE = 1: STS-48 transmit channel 3 bit 3. STS_MODE = 0: STS-192 transmit channel 1 bit 10.
J34 J35	TD11 TD11N	TD_3_3 TD_3_3N	O LVDS	STS_MODE = 1: STS-48 transmit channel 3 bit 4. STS_MODE = 0: STS-192 transmit channel 1 bit 11.
F33 F34	T_CLKO_4 T_CLKO_4N	T_CLKO_4 T_CLKO_4N	O LVDS	Transmit Clock 4 Loopback. Transmit clock output. STS_MODE = 1: STS-48 clock output for channel 4. STS_MODE = 0: Copy of transmit clock 1 loopback.
H34 J31	TD12 TD12N	TD_4_0 TD_4_0N	O LVDS	STS_MODE = 1: STS-48 transmit channel 4 bit 1 (LSB). STS_MODE = 0: STS-192 transmit channel 1 bit 12.
H32 H33	TD13 TD13N	TD_4_1 TD_4_1N	O LVDS	STS_MODE = 1: STS-48 transmit channel 4 bit 2. STS_MODE = 0: STS-192 transmit channel 1 bit 13.
G34 H31	TD14 TD14N	TD_4_2 TD_4_2N	O LVDS	STS_MODE = 1: STS-48 transmit channel 4 bit 3. STS_MODE = 0: STS-192 transmit channel 1 bit 14.
G32 G33	TD15 TD15N	TD_4_3 TD_4_3N	O LVDS	STS_MODE = 1: STS-48 transmit channel 4 bit 4. STS_MODE = 0: STS-192 transmit channel 1 bit 15 (MSB).

1. O = output, LVDS = low-voltage differential signal.

Pin Information (continued)

Table 6. Pin Descriptions—LVDS Reference, Line Interface

Pin	Symbol	Type ¹	Name/Description
AA33	CTAP_RD1	I LVDS Term	Center Tap for RD_1 Inputs. Provides center-tapped common-mode termination. This input should be terminated through an external 0.01 μ F capacitor to ground.
AD35	CTAP_RD2	I LVDS Term	Center Tap for RD_2 Inputs. Provides center-tapped common-mode termination. This input should be terminated through an external 0.01 μ F capacitor to ground.
AG35	CTAP_RD3	I LVDS Term	Center Tap for RD_3 Inputs. Provides center-tapped common-mode termination. This input should be terminated through an external 0.01 μ F capacitor to ground.
AL34	CTAP_RD4	I LVDS Term	Center Tap for RD_4 Inputs. Provides center-tapped common-mode termination. This input should be terminated through an external 0.01 μ F capacitor to ground.
Y32	CTAP_RCLK1	I LVDS Term	Center Tap for R_CLK_1 Input. Provides center-tapped common-mode termination. This input should be terminated through an external 0.01 μ F capacitor to ground.
AC33	CTAP_RCLK2	I LVDS Term	Center Tap for R_CLK_2 Input. Provides center-tapped common-mode termination. This input should be terminated through an external 0.01 μ F capacitor to ground.
AF35	CTAP_RCLK3	I LVDS Term	Center Tap for R_CLK_3 Input. Provides center-tapped common-mode termination. This input should be terminated through an external 0.01 μ F capacitor to ground.
AH31	CTAP_RCLK4	I LVDS Term	Center Tap for R_CLK_4 Input. Provides center-tapped common-mode termination. This input should be terminated through an external 0.01 μ F capacitor to ground.
E34	CTAP_TCLK	I LVDS Term	Center Tap for T_CLK Input. Provides center-tapped common-mode termination. This input should be terminated through an external 0.01 μ F capacitor to ground.
G31	CTAP_TFRM	I LVDS Term	Center Tap for TFRM Input. Provides center-tapped common-mode termination. This input should be terminated through an external 0.01 μ F capacitor to ground.
AL30	REF10L	I	1.0 V \pm 3% reference voltage for line interface I/Os. An example circuit is shown in Figure 3 on page 35.
AP31	REF14L	I	1.4 V \pm 3% reference voltage for line interface I/Os. An example circuit is shown in Figure 3 on page 35.
AN31	RESHIL	I	Connect a 100 Ω \pm 1% resistor between these pins.
AM31	RESLOL	I	

1. I = input. I LVDS term = low-voltage differential signal termination pin.

Pin Information (continued)

Table 7. Pin Descriptions—Receive Drop Equipment Interface

Pin	Symbol	Type ¹	Name/Description
AN11	D_CLK	I/O	DRPBYP = 1: output: receive channel 1 clock (78 MHz). DRPBYP = 0: input: receive drop clock (78 MHz)—all channels.
AM11	DFRM	I/O	DRPBYP = 1: output: receive channel 1 frame sync. DRPBYP = 0: input: receive drop frame sync—all channels.
U1 V2	DDATA_1 DDATA_1N	O LVDS	Receive drop STS-12 channel 1 serial data (622 MHz).
AP15	RDDCC_1	I	Receive drop STS-12 channel 1 section DCC serial link.
V4 V5	DDATA_2 DDATA_2N	O LVDS	Receive drop STS-12 channel 2 serial data (622 MHz).
AN15	RDDCC_2	I	Receive drop STS-12 channel 2 section DCC serial link.
W2 W3	DDATA_3 DDATA_3N	O LVDS	Receive drop STS-12 channel 3 serial data (622 MHz).
AL15	RDDCC_3	I	Receive drop STS-12 channel 3 section DCC serial link.
W4 W5	DDATA_4 DDATA_4N	O LVDS	Receive drop STS-12 channel 4 serial data (622 MHz).
AM15	RDDCC_4	I	Receive drop STS-12 channel 4 section DCC serial link.
U4 U5	DCTL_1 DCTL_1N	O LVDS	Receive drop STS-12 channels 1—4 timing control (622 MHz).
AR15	RDDCK_1	O	Receive drop STS-12 channels 1—4 section DCC clock.
AA3 AA4	DDATA_5 DDATA_5N	O LVDS	Receive drop STS-12 channel 5 serial data (622 MHz).
AP14	RDDCC_5	I	Receive drop STS-12 channel 5 section DCC serial link.
AB2 AB3	DDATA_6 DDATA_6N	O LVDS	Receive drop STS-12 channel 6 serial data (622 MHz).
AN14	RDDCC_6	I	Receive drop STS-12 channel 6 section DCC serial link.
AB4 AB5	DDATA_7 DDATA_7N	O LVDS	Receive drop STS-12 channel 7 serial data (622 MHz).
AL14	RDDCC_7	I	Receive drop STS-12 channel 7 section DCC serial link.
AC3 AC4	DDATA_8 DDATA_8N	O LVDS	Receive drop STS-12 channel 8 serial data (622 MHz).
AM14	RDDCC_8	I	Receive drop STS-12 channel 8 section DCC serial link.
AA1 AA2	DCTL_2 DCTL_2N	O LVDS	Receive drop STS-12 channels 5—8 timing control (622 MHz).
AR14	RDDCK_2	O	Receive drop STS-12 channels 5—8 section DCC clock.

1. I = input, O = output, I/O = bidirectional pin, LVDS = low-voltage differential signal. All I/O not explicitly stated with a buffer type are 3.3 V TTL.

Pin Information (continued)

Table 7. Pin Descriptions—Receive Drop Equipment Interface (continued)

Pin	Symbol	Type ¹	Name/Description
AE1 AE2	DDATA_9 DDATA_9N	O LVDS	Receive drop STS-12 channel 9 serial data (622 MHz).
AN13	RDDCC_9	I	Receive drop STS-12 channel 9 section DCC serial link.
AE3 AE4	DDATA_10 DDATA_10N	O LVDS	Receive drop STS-12 channel 10 serial data (622 MHz).
AM13	RDDCC_10	I	Receive drop STS-12 channel 10 section DCC serial link.
AF2 AF3	DDATA_11 DDATA_11N	O LVDS	Receive drop STS-12 channel 11 serial data (622 MHz).
AL13	RDDCC_11	I	Receive drop STS-12 channel 11 section DCC serial link.
AF4 AF5	DDATA_12 DDATA_12N	O LVDS	Receive drop STS-12 channel 12 serial data (622 MHz).
AR12	RDDCC_12	I	Receive drop STS-12 channel 12 section DCC serial link.
AD3 AD4	DCTL_3 DCTL_3N	O LVDS	Receive drop STS-12 channels 9—12 timing control (622 MHz).
AP13	RDDCK_3	O	Receive drop STS-12 channels 9—12 section DCC clock.
AG4 AG5	DDATA_13 DDATA_13N	O LVDS	Receive drop STS-12 channel 13 serial data (622 MHz).
AN12	RDDCC_13	I	Receive drop STS-12 channel 13 section DCC serial link.
AH4 AH5	DDATA_14 DDATA_14N	O LVDS	Receive drop STS-12 channel 14 serial data (622 MHz).
AM12	RDDCC_14	I	Receive drop STS-12 channel 14 section DCC serial link.
AJ4 AJ5	DDATA_15 DDATA_15N	O LVDS	Receive drop STS-12 channel 15 serial data (622 MHz).
AL12	RDDCC_15	I	Receive drop STS-12 channel 15 section DCC serial link.
AK2 AK3	DDATA_16 DDATA_16N	O LVDS	Receive drop STS-12 channel 16 serial data (622 MHz).
AR11	RDDCC_16	I	Receive drop STS-12 channel 16 section DCC serial link.
AG2 AG3	DCTL_4 DCTL_4N	O LVDS	Receive drop STS-12 channels 13—16 timing control (622 MHz).
AP12	RDDCK_4	O	Receive drop STS-12 channels 13—16 section DCC clock.

1. I = input, O = output, I/O = bidirectional pin, LVDS = low-voltage differential signal. All I/O not explicitly stated with a buffer type are 3.3 V TTL.

Pin Information (continued)

Table 8. Pin Descriptions—Transmit Add Equipment Interface

Pin	Symbol	Type ¹	Name/Description
R1 R2	ADATA_1 ADATA_1N	I LVDS	Transmit add STS-12 channel 1 serial data (622 MHz).
E9	TADCC_1	O	Transmit add STS-12 channel 1 section DCC serial link.
R4 R5	ADATA_2 ADATA_2N	I LVDS	Transmit add STS-12 channel 2 serial data (622 MHz).
B8	TADCC_2	O	Transmit add STS-12 channel 2 section DCC serial link.
P1 P2	ADATA_3 ADATA_3N	I LVDS	Transmit add STS-12 channel 3 serial data (622 MHz).
C8	TADCC_3	O	Transmit add STS-12 channel 3 section DCC serial link.
P3 P5	ADATA_4 ADATA_4N	I LVDS	Transmit add STS-12 channel 4 serial data (622 MHz).
D8	TADCC_4	O	Transmit add STS-12 channel 4 section DCC serial link.
N3 N4	ADATA_5 ADATA_5N	I LVDS	Transmit add STS-12 channel 5 serial data (622 MHz).
E8	TADCC_5	O	Transmit add STS-12 channel 5 section DCC serial link.
M2 M3	ADATA_6 ADATA_6N	I LVDS	Transmit add STS-12 channel 6 serial data (622 MHz).
B7	TADCC_6	O	Transmit add STS-12 channel 6 section DCC serial link.
M4 M5	ADATA_7 ADATA_7N	I LVDS	Transmit add STS-12 channel 7 serial data (622 MHz).
C7	TADCC_7	O	Transmit add STS-12 channel 7 section DCC serial link.
L1 L2	ADATA_8 ADATA_8N	I LVDS	Transmit add STS-12 channel 8 serial data (622 MHz).
D7	TADCC_8	O	Transmit add STS-12 channel 8 section DCC serial link.
K1 K2	ADATA_9 ADATA_9N	I LVDS	Transmit add STS-12 channel 9 serial data (622 MHz).
E7	TADCC_9	O	Transmit add STS-12 channel 9 section DCC serial link.
K4 K5	ADATA_10 ADATA_10N	I LVDS	Transmit add STS-12 channel 10 serial data (622 MHz).
B6	TADCC_10	O	Transmit add STS-12 channel 10 section DCC serial link.

1. I = input, O = output, LVDS = low-voltage differential signal. All I/O not explicitly stated with a buffer type are 3.3 V TTL.

Pin Information (continued)

Table 8. Pin Descriptions—Transmit Add Equipment Interface (continued)

Pin	Symbol	Type ¹	Name/Description
J2 J3	ADATA_11 ADATA_11N	I LVDS	Transmit add STS-12 channel 11 serial data (622 MHz).
C6	TADCC_11	O	Transmit add STS-12 channel 11 section DCC serial link.
H2 H3	ADATA_12 ADATA_12N	I LVDS	Transmit add STS-12 channel 12 serial data (622 MHz).
D6	TADCC_12	O	Transmit add STS-12 channel 12 section DCC serial link.
G4 G5	ADATA_13 ADATA_13N	I LVDS	Transmit add STS-12 channel 13 serial data (622 MHz).
E6	TADCC_13	O	Transmit add STS-12 channel 13 section DCC serial link.
F2 F3	ADATA_14 ADATA_14N	I LVDS	Transmit add STS-12 channel 14 serial data (622 MHz).
B5	TADCC_14	O	Transmit add STS-12 channel 14 section DCC serial link.
F4 F5	ADATA_15 ADATA_15N	I LVDS	Transmit add STS-12 channel 15 serial data (622 MHz).
C5	TADCC_15	O	Transmit add STS-12 channel 15 section DCC serial link.
E2 E3	ADATA_16 ADATA_16N	I LVDS	Transmit add STS-12 channel 16 serial data (622 MHz).
D5	TADCC_16	O	Transmit add STS-12 channel 16 section DCC serial link.
D9	TADCK	O	Transmit add STS-12 section DCC clock—all channels.

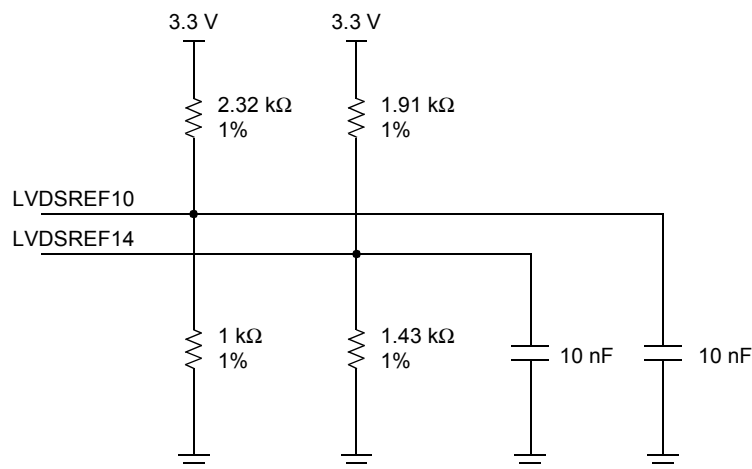
1. I = input, O = output, LVDS = low-voltage differential signal. All I/O not explicitly stated with a buffer type are 3.3 V TTL.

Pin Information (continued)

Table 9. Pin Descriptions—LVDS Reference, Equipment Interface

Pin	Symbol	Type ¹	Name/Description
M1	CTAP_ADD1	I LVDS Term	Center Tap for ADATA_1 Through ADATA_4 Inputs. Provides center-tapped common-mode termination. This input should be terminated through an external 0.01 μF capacitor to ground.
L4	CTAP_ADD2	I LVDS Term	Center Tap for ADATA_5 Through ADATA_8 Inputs. Provides center-tapped common-mode termination. This input should be terminated through an external 0.01 μF capacitor to ground.
H5	CTAP_ADD3	I LVDS Term	Center Tap for ADATA_9 Through ADATA_12 Inputs. Provides center-tapped common-mode termination. This input should be terminated through an external 0.01 μF capacitor to ground.
E4	CTAP_ADD4	I LVDS Term	Center Tap for ADATA_13 Through ADATA_16 Inputs. Provides center-tapped common-mode termination. This input should be terminated through an external 0.01 μF capacitor to ground.
AK5	REF10E	I	1.0 V ± 3% reference voltage for equipment interface I/Os. An example circuit is shown in Figure 3.
AL2	REF14E	I	1.4 V ± 3% reference voltage for equipment interface I/Os. An example circuit is shown in Figure 3.
AL3	RESHIE	I	Connect a 100 Ω ± 1% resistor between these pins.
AL4	RESLOE	I	

1. I = input. I LVDS term = low-voltage differential signal termination pin.



0622(F)

Figure 3. Suggested Schematic for 1.0 V and 1.4 V Reference Voltages

Pin Information (continued)

Table 10. Pin Descriptions—Transport Overhead Interface

Pin	Symbol	Type ¹	Name/Description
AP28	REXPOW_1	O	STS_MODE = 1: STS-48 receive channel 1 express orderwire. STS_MODE = 0: STS-192 receive channel 1 express orderwire.
AL27	RLCLOW_1	O	STS_MODE = 1: STS-48 receive channel 1 local orderwire. STS_MODE = 0: STS-192 receive channel 1 local orderwire.
AM25	RSUSER_1	O	STS_MODE = 1: STS-48 receive channel 1 section user channel. STS_MODE = 0: STS-192 receive channel 1 section user channel.
AN26	ROW_CLK_1	O	STS_MODE = 1: STS-48 receive channel 1 orderwire/user clock. STS_MODE = 0: STS-192 receive channel 1 orderwire/user clock.
AM27	RLDCC_1	O	STS_MODE = 1: STS-48 receive channel 1 line DCC. STS_MODE = 0: STS-192 receive channel 1 line DCC.
AN27	RLD_CLK_1	O	STS_MODE = 1: STS-48 receive channel 1 line DCC clock. STS_MODE = 0: STS-192 receive channel 1 line DCC clock.
AP26	RSDCC_1	O	STS_MODE = 1: STS-48 receive channel 1 section DCC. STS_MODE = 0: STS-192 receive channel 1 section DCC.
AR26	RSD_CLK_1	O	STS_MODE = 1: STS-48 receive channel 1 section DCC clock. STS_MODE = 0: STS-192 receive channel 1 section DCC clock.
AP27	ROHDAT_1_0	O	STS_MODE = 1: STS-48 receive channel 1 TOH data (LSB). STS_MODE = 0: Receive STS-1 channel 1—48 TOH data (LSB).
AR27	ROHDAT_1_1	O	STS_MODE = 1: STS-48 receive channel 1 TOH data (MSB). STS_MODE = 0: Receive STS-1 channel 1—48 TOH data (MSB).
AL26	ROHFP_1	O	STS_MODE = 1: STS-48 receive channel 1 TOH frame pulse. STS_MODE = 0: Receive STS-1 channel 1—48 TOH frame pulse.
AM26	ROH_CLK_1	O	STS_MODE = 1: STS-48 receive channel 1 TOH clock. STS_MODE = 0: Receive STS-1 channel 1—48 TOH clock.
E28	TEXPOW_1	I	STS_MODE = 1: STS-48 transmit channel 1 express orderwire. STS_MODE = 0: STS-192 transmit channel 1 express orderwire.
D28	TLCLOW_1	I	STS_MODE = 1: STS-48 transmit channel 1 local orderwire. STS_MODE = 0: STS-192 transmit channel 1 local orderwire.
B29	TSUSER_1	I	STS_MODE = 1: STS-48 transmit channel 1 section user channel. STS_MODE = 0: STS-192 transmit channel 1 section user channel.
E29	TOW_CLK_1	O	STS_MODE = 1: STS-48 transmit channel 1 orderwire/user clock. STS_MODE = 0: STS-192 transmit channel 1 orderwire/user clock.
C29	TLDCC_1	I	STS_MODE = 1: STS-48 transmit channel 1 line DCC. STS_MODE = 0: STS-192 transmit channel 1 line DCC.
C30	TLD_CLK_1	O	STS_MODE = 1: STS-48 transmit channel 1 line DCC clock. STS_MODE = 0: STS-192 transmit channel 1 line DCC clock.

1. I = input, O = output. All I/O not explicitly stated with a buffer type are 3.3 V TTL.

Pin Information (continued)

Table 10. Pin Descriptions—Transport Overhead Interface (continued)

Pin	Symbol	Type ¹	Name/Description
D29	TSDCC_1	I	STS_MODE = 1: STS-48 transmit channel 1 section DCC. STS_MODE = 0: STS-192 transmit channel 1 section DCC.
B30	TSD_CLK_1	O	STS_MODE = 1: STS-48 transmit channel 1 section DCC clock. STS_MODE = 0: STS-192 transmit channel 1 section DCC clock.
E30	TOHDAT_1_0	I	STS_MODE = 1: STS-48 transmit channel 1 TOH data (LSB). STS_MODE = 0: Transmit STS-1 channel 1—48 TOH data (LSB).
B31	TOHDAT_1_1	I	STS_MODE = 1: STS-48 transmit channel 1 TOH data (MSB). STS_MODE = 0: Transmit STS-1 channel 1—48 TOH data (MSB).
C31	TOHEN_1	I	STS_MODE = 1: STS-48 transmit channel 1 TOH insert enable. STS_MODE = 0: Transmit STS-1 channel 1—48 TOH insert enable.
D31	TOHFP_1	O	STS_MODE = 1: STS-48 transmit channel 1 TOH frame pulse. STS_MODE = 0: Transmit STS-1 channel 1—48 TOH frame pulse.
D30	TOH_CLK_1	O	STS_MODE = 1: STS-48 transmit channel 1 TOH clock. STS_MODE = 0: Transmit STS-1 channel 1—48 TOH clock.
AN25	REXPOW_2	O	STS_MODE = 1: STS-48 receive channel 2 express orderwire. STS_MODE = 0: Not used.
AP25	RLCLOW_2	O	STS_MODE = 1: STS-48 receive channel 2 local orderwire. STS_MODE = 0: Not used.
AP23	RSUSER_2	O	STS_MODE = 1: STS-48 receive channel 2 section user channel. STS_MODE = 0: Not used.
AL23	ROW_CLK_2	O	STS_MODE = 1: STS-48 receive channel 2 orderwire/user clock. STS_MODE = 0: Not used.
AR25	RLDCC_2	O	STS_MODE = 1: STS-48 receive channel 2 line DCC. STS_MODE = 0: Not used.
AL24	RLD_CLK_2	O	STS_MODE = 1: STS-48 receive channel 2 line DCC clock. STS_MODE = 0: Not used.
AM23	RSDCC_2	O	STS_MODE = 1: STS-48 receive channel 2 section DCC. STS_MODE = 0: Not used.
AN23	RSD_CLK_2	O	STS_MODE = 1: STS-48 receive channel 2 section DCC clock. STS_MODE = 0: Not used.
AM24	ROHDAT_2_0	O	STS_MODE = 1: STS-48 receive channel 2 TOH data (LSB). STS_MODE = 0: Receive STS-1 channel 49—96 TOH data (LSB).
AN24	ROHDAT_2_1	O	STS_MODE = 1: STS-48 receive channel 2 TOH data (MSB). STS_MODE = 0: Receive STS-1 channel 49—96 TOH data (MSB).
AP24	ROHFP_2	O	STS_MODE = 1: STS-48 receive channel 2 TOH frame pulse. STS_MODE = 0: Receive STS-1 channel 49—96 TOH frame pulse.
AR24	ROH_CLK_2	O	STS_MODE = 1: STS-48 receive channel 2 TOH clock. STS_MODE = 0: Receive STS-1 channel 49—96 TOH clock.

1. I = input, O = output. All I/O not explicitly stated with a buffer type are 3.3 V TTL.

Pin Information (continued)

Table 10. Pin Descriptions—Transport Overhead Interface (continued)

Pin	Symbol	Type ¹	Name/Description
B26	TEXPOW_2	I	STS_MODE = 1: STS-48 transmit channel 2 express orderwire. STS_MODE = 0: Not used.
B25	TLCLOW_2	I	STS_MODE = 1: STS-48 transmit channel 2 local orderwire. STS_MODE = 0: Not used.
C26	TSUSER_2	I	STS_MODE = 1: STS-48 transmit channel 2 section user channel. STS_MODE = 0: Not used.
C25	TOW_CLK_2	O	STS_MODE = 1: STS-48 transmit channel 2 orderwire/user clock. STS_MODE = 0: Not used.
E26	TLDCC_2	I	STS_MODE = 1: STS-48 transmit channel 2 line DCC. STS_MODE = 0: Not used.
D25	TLD_CLK_2	O	STS_MODE = 1: STS-48 transmit channel 2 line DCC clock. STS_MODE = 0: Not used.
A27	TSDCC_2	I	STS_MODE = 1: STS-48 transmit channel 2 section DCC. STS_MODE = 0: Not used.
A26	TSD_CLK_2	O	STS_MODE = 1: STS-48 transmit channel 2 section DCC clock. STS_MODE = 0: Not used.
B27	TOHDAT_2_0	I	STS_MODE = 1: STS-48 transmit channel 2 TOH data (LSB). STS_MODE = 0: Transmit STS-1 channel 49—96 TOH data (LSB).
C27	TOHDAT_2_1	I	STS_MODE = 1: STS-48 transmit channel 2 TOH data (MSB). STS_MODE = 0: Transmit STS-1 channel 49—96 TOH data (MSB).
D27	TOHEN_2	I	STS_MODE = 1: STS-48 transmit channel 2 TOH insert enable. STS_MODE = 0: Transmit STS-1 channel 49—96 TOH insert enable.
C28	TOHFP_2	O	STS_MODE = 1: STS-48 transmit channel 2 TOH frame pulse. STS_MODE = 0: Transmit STS-1 channel 49—96 TOH frame pulse.
B28	TOH_CLK_2	O	STS_MODE = 1: STS-48 transmit channel 2 TOH clock. STS_MODE = 0: Transmit STS-1 channel 49—96 TOH clock.
AL22	REXPOW_3	O	STS_MODE = 1: STS-48 receive channel 3 express orderwire. STS_MODE = 0: Not used.
AM22	RLCLOW_3	O	STS_MODE = 1: STS-48 receive channel 3 local orderwire. STS_MODE = 0: Not used.
AN20	RSUSER_3	O	STS_MODE = 1: STS-48 receive channel 3 section user channel. STS_MODE = 0: Not used.
AP21	ROW_CLK_3	O	STS_MODE = 1: STS-48 receive channel 3 orderwire/user clock. STS_MODE = 0: Not used.
AN22	RLDCC_3	O	STS_MODE = 1: STS-48 receive channel 3 line DCC. STS_MODE = 0: Not used.
AP22	RLD_CLK_3	O	STS_MODE = 1: STS-48 receive channel 3 line DCC clock. STS_MODE = 0: Not used.

1. I = input, O = output. All I/O not explicitly stated with a buffer type are 3.3 V TTL.

Pin Information (continued)

Table 10. Pin Descriptions—Transport Overhead Interface (continued)

Pin	Symbol	Type ¹	Name/Description
AR21	RSDCC_3	O	STS_MODE = 1: STS-48 receive channel 3 section DCC. STS_MODE = 0: Not used.
AM20	RSD_CLK_3	O	STS_MODE = 1: STS-48 receive channel 3 section DCC clock. STS_MODE = 0: Not used.
AR22	ROHDAT_3_0	O	STS_MODE = 1: STS-48 receive channel 3 TOH data (LSB). STS_MODE = 0: Receive STS-1 channels 97—144 TOH data (LSB).
AL21	ROHDAT_3_1	O	STS_MODE = 1: STS-48 receive channel 3 TOH data (MSB). STS_MODE = 0: Receive STS-1 channels 97—144 TOH data (MSB).
AM21	ROHFP_3	O	STS_MODE = 1: STS-48 receive channel 3 TOH frame pulse. STS_MODE = 0: Receive STS-1 channels 97—144 TOH frame pulse.
AN21	ROH_CLK_3	O	STS_MODE = 1: STS-48 receive channel 3 TOH clock. STS_MODE = 0: Receive STS-1 channels 97—144 TOH clock.
E22	TEXPOW_3	I	STS_MODE = 1: STS-48 transmit channel 3 express orderwire. STS_MODE = 0: Not used.
C22	TLLOW_3	I	STS_MODE = 1: STS-48 transmit channel 3 local orderwire. STS_MODE = 0: Not used.
D22	TSUSER_3	I	STS_MODE = 1: STS-48 transmit channel 3 section user channel. STS_MODE = 0: Not used.
B23	TOW_CLK_3	O	STS_MODE = 1: STS-48 transmit channel 3 orderwire/user clock. STS_MODE = 0: Not used.
E23	LDCC_3	I	STS_MODE = 1: STS-48 transmit channel 3 line DCC. STS_MODE = 0: Not used.
C23	LD_CLK_3	O	STS_MODE = 1: STS-48 transmit channel 3 line DCC clock. STS_MODE = 0: Not used.
A24	TSDCC_3	I	STS_MODE = 1: STS-48 transmit channel 3 section DCC. STS_MODE = 0: Not used.
D23	TSD_CLK_3	O	STS_MODE = 1: STS-48 transmit channel 3 section DCC clock. STS_MODE = 0: Not used.
B24	TOHDAT_3_0	I	STS_MODE = 1: STS-48 transmit channel 3 TOH data (LSB). STS_MODE = 0: Transmit STS-1 channels 97—144 TOH data (LSB).
C24	TOHDAT_3_1	I	STS_MODE = 1: STS-48 transmit channel 3 TOH data (MSB). STS_MODE = 0: Transmit STS-1 channels 97—144 TOH data (MSB).
D24	TOHEN_3	I	STS_MODE = 1: STS-48 transmit channel 3 TOH insert enable. STS_MODE = 0: Transmit STS-1 channels 97—144 TOH insert enable.
A25	TOHFP_3	O	STS_MODE = 1: STS-48 transmit channel 3 TOH frame pulse. STS_MODE = 0: Transmit STS-1 channels 97—144 TOH frame pulse.

1. I = input, O = output. All I/O not explicitly stated with a buffer type 3.3 V TTL.

Pin Information (continued)

Table 10. Pin Descriptions—Transport Overhead Interface (continued)

Pin	Symbol	Type ¹	Name/Description
E24	TOH_CLK_3	O	STS_MODE = 1: STS-48 transmit channel 3 TOH clock. STS_MODE = 0: Transmit STS-1 channels 97—144 TOH clock.
AP20	REXPOW_4	O	STS_MODE = 1: STS-48 receive channel 4 express orderwire. STS_MODE = 0: Not used.
AL19	RLCLOW_4	O	STS_MODE = 1: STS-48 receive channel 4 local orderwire. STS_MODE = 0: Not used.
AL17	RSUSER_4	O	STS_MODE = 1: STS-48 receive channel 4 section user channel. STS_MODE = 0: Not used.
AP18	ROW_CLK_4	O	STS_MODE = 1: STS-48 receive channel 4 orderwire/user clock. STS_MODE = 0: Not used.
AM19	RLDCC_4	O	STS_MODE = 1: STS-48 receive channel 4 line DCC. STS_MODE = 0: Not used.
AN19	RLD_CLK_4	O	STS_MODE = 1: STS-48 receive channel 4 line DCC clock. STS_MODE = 0: Not used.
AR17	RSDCC_4	O	STS_MODE = 1: STS-48 receive channel 4 section DCC. STS_MODE = 0: Not used.
AN17	RSD_CLK_4	O	STS_MODE = 1: STS-48 receive channel 4 section DCC clock. STS_MODE = 0: Not used.
AP19	ROHDAT_4_0	O	STS_MODE = 1: STS-48 receive channel 4 TOH data (LSB). STS_MODE = 0: Receive STS-1 channels 145—192 TOH data (LSB).
AN18	ROHDAT_4_1	O	STS_MODE = 1: STS-48 receive channel 4 TOH data (MSB). STS_MODE = 0: Receive STS-1 channels 145—192 TOH data (MSB).
AL18	ROHFP_4	O	STS_MODE = 1: STS-48 receive channel 4 TOH frame pulse. STS_MODE = 0: Receive STS-1 channels 145—192 TOH frame pulse.
AM18	ROH_CLK_4	O	STS_MODE = 1: STS-48 receive channel 4 TOH clock. STS_MODE = 0: Receive STS-1 channels 145—192 TOH clock.
D19	TEXPOW_4	I	STS_MODE = 1: STS-48 transmit channel 4 express orderwire. STS_MODE = 0: Not used.
E19	TLCLOW_4	I	STS_MODE = 1: STS-48 transmit channel 4 local orderwire. STS_MODE = 0: Not used.
B19	TSUSER_4	I	STS_MODE = 1: STS-48 transmit channel 4 section user channel. STS_MODE = 0: Not used.
D20	TOW_CLK_4	O	STS_MODE = 1: STS-48 transmit channel 4 orderwire/user clock. STS_MODE = 0: Not used.
B20	TLDCC_4	I	STS_MODE = 1: STS-48 transmit channel 4 line DCC. STS_MODE = 0: Not used.
A21	TLD_CLK_4	O	STS_MODE = 1: STS-48 transmit channel 4 line DCC clock. STS_MODE = 0: Not used.

1. I = input, O = output. All I/O not explicitly stated with a buffer type 3.3 V TTL.

Pin Information (continued)

Table 10. Pin Descriptions—Transport Overhead Interface (continued)

Pin	Symbol	Type ¹	Name/Description
C20	TSDCC_4	I	STS_MODE = 1: STS-48 transmit channel 4 section DCC. STS_MODE = 0: Not used.
B21	TSD_CLK_4	O	STS_MODE = 1: STS-48 transmit channel 4 section DCC clock. STS_MODE = 0: Not used.
C21	TOHDAT_4_0	I	STS_MODE = 1: STS-48 transmit channel 4 TOH data (LSB). STS_MODE = 0: Transmit STS-1 channels 145—192 TOH data (LSB).
E21	TOHDAT_4_1	I	STS_MODE = 1: STS-48 transmit channel 4 TOH data (MSB). STS_MODE = 0: Transmit STS-1 channels 145—192 TOH data (MSB).
D21	TOHEN_4	I	STS_MODE = 1: STS-48 transmit channel 4 TOH insert enable. STS_MODE = 0: Transmit STS-1 channels 145—192 TOH insert enable.
B22	TOHFP_4	O	STS_MODE = 1: STS-48 transmit channel 4 TOH frame pulse. STS_MODE = 0: Transmit STS-1 channels 145—192 TOH frame pulse.
A22	TOH_CLK_4	O	STS_MODE = 1: STS-48 transmit channel 4 TOH clock. STS_MODE = 0: Transmit STS-1 channels 145—192 TOH clock.

1. I = input, O = output. All I/O not explicitly stated with a buffer type are 3.3 V TTL.

Pin Information (continued)

Table 11. Pin Descriptions—Microprocessor Interface

Pin	Symbol	Type ¹	Name/Description
C14	PCLK	I	Microprocessor Clock. This clock can operate at up to 78 MHz when the microprocessor interface is in asynchronous mode (MPMODE = 0). This clock can operate to a maximum of 40 MHz when the microprocessor interface is in synchronous mode (MPMODE = 1).
A14	CS_N	I	Chip Select (Active-Low). This signal must be low during register access.
E15	TS_N (AS_N)	I	Transfer Start or Address Strobe (Active-Low). Transfer start (TS_N) when MPMODE = 1 (synchronous). Address strobe (AS_N) when MPMODE = 0 (asynchronous).
D15	DS_N	I	Data Strobe (Active-Low). This signal, when used in the asynchronous mode (MPMODE = 0), indicates that the data is valid for MPU writes.
B14	RW_N	I	Read/Write. This signal is used to indicate a read or write operation. 1 = Read. 0 = Write.
B13	TA_N	O	Data Transfer Acknowledge (Active-Low). This signal goes low to acknowledge the completion of a data transfer cycle.
C13	TEA_N	O	Transfer Error Acknowledge (Active-Low). This signal goes low to indicate an internal error related to the data transfer cycle. This is used only when the microprocessor interface is in synchronous mode (MPMODE = 1).
D13	INT_N	O	Interrupt (Active-Low). This signal goes low when the device generates an unmasked interrupt. The interrupt signal is cleared when the unmasked raw alarm that generated the interrupt is cleared.
C19	ADDRESS_15	I	Address Bus [15:0]. This bus is used to address registers. ADDRESS_15 is the MSB, ADDRESS_0 is the LSB.
A19	ADDRESS_14	I	
B18	ADDRESS_13	I	
D18	ADDRESS_12	I	
E18	ADDRESS_11	I	
C18	ADDRESS_10	I	
B17	ADDRESS_9	I	
C17	ADDRESS_8	I	
D17	ADDRESS_7	I	
E17	ADDRESS_6	I	
B16	ADDRESS_5	I	
C16	ADDRESS_4	I	
D16	ADDRESS_3	I	
A15	ADDRESS_2	I	
B15	ADDRESS_1	I	
C15	ADDRESS_0	I	

1. I/O = bidirectional pin, I = input, O = output. All I/O not explicitly stated with a buffer type are 5 V tolerant, 3.3 V TTL. They will tolerate 5 V at their inputs or outputs.

Pin Information (continued)

Table 11. Pin Descriptions—Microprocessor Interface (continued)

Pin	Symbol	Type ¹	Name/Description
A9	DATA_15	I/O	Data Bus [15:0]. This bus is a bidirectional data bus for writing and reading software registers. DATA_15 is the MSB, DATA_0 is the LSB.
E10	DATA_14	I/O	
D10	DATA_13	I/O	
C10	DATA_12	I/O	
B10	DATA_11	I/O	
A10	DATA_10	I/O	
D11	DATA_9	I/O	
C11	DATA_8	I/O	
B11	DATA_7	I/O	
A11	DATA_6	I/O	
E12	DATA_5	I/O	
D12	DATA_4	I/O	
C12	DATA_3	I/O	
B12	DATA_2	I/O	
A12	DATA_1	I/O	
E13	DATA_0	I/O	
C9	PARITY_0	I/O	Data Bus Parity—Lower Byte. Odd parity for lower byte [7:0], when MPMODE = 1 (synchronous). Unused when MPMODE = 0 (asynchronous); may be left unconnected if not used.
B9	PARITY_1	I/O	Data Bus Parity—Upper Byte. Odd parity for upper byte [15:8], when MPMODE = 1 (synchronous). Unused when MPMODE = 0 (asynchronous); may be left unconnected if not used.

1. I/O = bidirectional pin, I = input, O = output. All I/O not explicitly stated with a buffer type are 5 V tolerant, 3.3 V TTL. They will tolerate 5 V at their inputs or outputs.

Table 12. Pin Descriptions—JTAG Interface

Pin	Symbol	Type ¹	Name/Description
AM29	TCK	I ^d	Test Clock. This signal provides timing for test operations.
AN30	TMS	I ^d	Test Mode Select. Controls test operations. TMS is sampled on the rising edge of TCK.
AL29	TDI	I ^d	Test Data In. TDI is sampled on the rising edge of TCK.
AM30	TDO	O	Test Data Out. This output is updated on the falling edge of TCK. The TDO output is 3-stated except when scanning out test data.
AP30	TRST_N	I ^u	Test Reset (Active-Low). This signal provides an asynchronous reset for the TAP. This input should be tied low (to Vss) for normal device operation. If TRST_N is high, a TCK must be present to ensure that the correct test mode is clocked in on the TMS input.

1. O = output, I^d = input with internal pull-down resistor, I^u = input with internal pull-up resistor. The value of all internal pull-up/pull-down resistors is 50 kΩ. All I/O not explicitly stated with a buffer type are 5 V tolerant, 3.3 V TTL. They will tolerate 5 V at their inputs or outputs.

Pin Information (continued)

Table 13. Pin Descriptions—PLL References

Pin	Symbol	Type ¹	Name/Description
G2	REXT_ADD	I	External PLL Bypass Resistor for Add Interface. Should be externally connected through a 100 kΩ resistor to analog ground (VssA).
V3	REXT_DRP1	I	External PLL Bypass Resistor for Drop Interface STS-48 #1. Should be externally connected through a 100 kΩ resistor to analog ground (VssA).
AA5	REXT_DRP2	I	External PLL Bypass Resistor for Drop Interface STS-48 #2. Should be externally connected through a 100 kΩ resistor to analog ground (VssA).
AD5	REXT_DRP3	I	External PLL Bypass Resistor for Drop Interface STS-48 #3. Should be externally connected through a 100 kΩ resistor to analog ground (VssA).
AJ3	REXT_DRP4	I	External PLL Bypass Resistor for Drop Interface STS-48 #4. Should be externally connected through a 100 kΩ resistor to analog ground (VssA).

1. I = input. All inputs in Table 13 are 3.3 V TTL.

Table 14. Pin Descriptions—Power and Ground

Pin	Symbol	Type ¹	Name/Description
A1, A2, A17, A18, A34, A35, B1, B2, B34, B35, C3, C33, E11, E25, L5, L31, U35, V1, V35, W1, AE5, AE31, AL11, AL25, AN3, AN33, AP1, AP2, AP34, AP35, AR1, AR2, AR18, AR19, AR34, AR35	VDD	P	3.3 V Positive Supply Voltage.
A5, A6, A30, A31, D4, D32, E1, E5, E16, E20, E31, E35, F1, F35, T5, T31, Y5, Y31, AK1, AK35, AL1, AL5, AL16, AL20, AL31, AL35, AM4, AM32, AR5, AR6, AR30, AR31	VDD2	P	2.5 V Positive Supply Voltage.

1. P = power, G = ground.

Pin Information (continued)

Table 14. Pin Descriptions—Power and Ground (continued)

Pin	Symbol	Type ¹	Name/Description
A3, A4, A7, A8, A13, A16, A20, A23, A28, A29, A32, A33, B3, B4, B32, B33, C1, C2, C4, C32, C34, C35, D1, D2, D3, D33, D34, D35, G1, G35, H1, H35, N1, N35, T1, T35, Y1, Y35, AC1, AC35, AH1, AH35, AJ1, AJ35, AM1, AM2, AM3, AM33, AM34, AM35, AN1, AN2, AN4, AN32, AN34, AN35, AP3, AP4, AP32, AP33, AR3, AR4, AR7, AR8, AR13, AR16, AR20, AR23, AR28, AR29, AR32, AR33	Vss	G	Digital Ground.
J4, T2, Y4, AD2, AH3	VDDA	P	<p>Analog Positive Supply Voltage for PLL Circuits. 3.3 Vdc supply for PLL circuitry. Each should be connected in such a way that EMI is decoupled between VDDAs, and to or from VDD. The maximum analog PLL power is 350 mW for the device.</p> <ul style="list-style-type: none"> ■ J4 is the power supply for the add interface PLL. ■ T2, Y4, AD2, and AH3 are the power supplies for the drop interface PLLs.
J5, T3, Y3, AD1, AH2	Vssa	G	<p>Analog Ground for PLL Circuits. Ground for the PLL circuitry. These should be connected to Vss in a manner appropriate to minimize EMI between Vssa pins, and between Vss and Vssa.</p> <ul style="list-style-type: none"> ■ J5 is the analog ground for the add interface PLL. ■ T3, Y3, AD1, and AH2 are the analog grounds for the drop interface PLLs.

1. P = power, G = ground.

Pin Information (continued)

Table 14. Pin Descriptions—Power and Ground (continued)

Pin	Symbol	Type ¹	Name/Description
AP6, AL7, AN16, AM16	PULLUP	—	Manufacturing Test. These pins must be individually pulled up to VDD2 through 47 kΩ resistors for normal operation.
AM5, AN5, AP5, AL6, AM6, AN6, AM7, AN7, AP7, AL10, AM10, AN10, AP10, AR10, AN28, AM28, AL28, AP29	PULLDN	—	Manufacturing Test. These pins must be individually pulled down to Vss through 47 kΩ resistors for normal operation.
AL8, AL9, AM8, AM9, AN8, AN9, AP8, AP9, AN29, AR9, D26 ² , E27 ² , G3 ² , H4 ² , J1 ² , K3 ² , K31 ² , L3 ² , M33 ² , N2 ² , N5 ² , P4 ² , R3 ² , T4 ² , T32 ² , U2 ² , U3 ² , U31 ² , Y2 ² , AB1 ² , AC2 ² , AC5 ² , AF1 ² , AG1 ² , AH34 ² , AJ2 ² , AK4 ²	NC	—	No Connect. Do not connect to these pins.

1. P = power, G = ground.

2. No connect (NC) pins indicated with a footnote (2) are unused. There is no connection between the pin and the die.

Table 15. Pin Summary

Pin Type	Pin Direction	Count
LVDS	Input	76
	Output	96
	Reference	27
TTL	Input	81
	Output	93
	Bidirectional	20
NC		37
Other (Manufacturing Test)		20
Power		73
Ground		77
Total		600

Functional Description

Receive STS-192 Line Interface

The receive STS-192 line interface is configured to accept either a single 16-bit wide serial STS-192 stream at 622.08 MHz or four 4-bit wide serial STS-48 streams at 622.08 MHz, and convert them to four STS-48 streams. The conversion process is essentially the same for both input formats, except that for STS-48 data, each function is divided into four independent blocks running on separate clocks, while the STS-192 data is processed in one block and must be passed through a time-slot interchange (TSI) block after the conversion process to demultiplex its four constituent STS-48 channels.

Regardless of which line format is being used, each input serial stream is first byte and frame aligned by passing it through a bit rotator to align it. The frame alignment used by the bit rotator is determined by a framer circuit which monitors the nonaligned word. The data from the bit rotator is then passed to a BIP-8 parity calculator before being optionally descrambled.

The descrambled data is then either passed directly to one of the STS-48 processing modules when in STS-48 mode, or first passed to a TSI when in STS-192 mode. This TSI reorders the STS-1 slots within the STS-192 to appear as four STS-48 signals, as required by the STS-48 processing modules.

In STS-192 mode, all 16 data streams are clocked on the positive edge of R_CLK_1. In STS-48 mode, the four data streams associated with each STS-48 are clocked in on the positive edge of a corresponding clock, R_CLK_n.

Loss-of-Signal (LOS) Detector

Before the data is optionally descrambled, it is monitored for loss-of-signal (LOS). In STS-192 mode, there is a single LOS detector. In STS-48 mode, there is a separate LOS detector on each STS-48 input. On powerup, an LOS defect is declared if all zeros data is received continuously for 13.8 μ s. This time threshold is provisionable through the loss-of-signal (LOS) threshold register for each channel, and can be set to any value from 0 μ s (i.e., LOS detection disabled) to 105 μ s, with a resolution of 102.88 ns (64 times the period of the 622.08 MHz clock).

The LOS defect is subsequently cleared when two successive valid framing patterns are received with no period of all zeros exceeding the time threshold. Detection of an LOS defect is indicated by a latched alarm status bit, a persistence bit, and a one second PM bit being set in the corresponding LTE receive channel *n* registers. In addition, alarm indication signal (AIS) will be inserted by the framer block in all 48 or 192 STS-1 channels affected.

If an optical transponder is connected to the receive line interface, the most appropriate method to declare LOS is by monitoring the power level monitor of the received signal from the transponder. In some transponders, the amplifier gain is high enough to cause the LVDS receive data lines to move above zero, even when there is no optical input. Should this occur, the TSOT0410G4 might not indicate an LOS defect. This is not a deficiency of the devices, but is a characteristic of the methods of detecting LOS.

If an optical transponder is used, the LOS detector of the TSOT0410G4 monitors the connection from the transponder to the receive line interface. The LOS detector in the TSOT0410G4 is appropriate for monitoring LOS in an electrical SONET or SDH system.

Functional Description (continued)

Note: Register summary tables occur throughout the Functional Description section on page 47, and describe the first occurrence of registers that are used for a particular function. Refer to the register map (Table 71 on page 97) for details on other occurrences of similar registers.

Table 16. LOS Detector Register Summary

Function	Register Name (First Occurrence)	Register Bits	Qty. ¹	1st Addr ² (hex)	Page ³
LOS Detect Time	LTE Receive Channel 1 Loss-of-Signal (LOS) Threshold (R/W)	LTE_RX_n_LOS_THRESHOLD1[9:0]	4	1402	123
Latched LOS Alarm	LTE Receive Channel 1 Service-Affecting Interrupt Alarm (W1C)	LOS	4	1405	124
LOS Persistency	LTE Receive Channel 1 Service-Affecting Persistency Alarm (RO)	LOS_PER	4	1407	124
LOS One Second PM	LTE Receive Channel 1 Performance Monitoring (RO)	LOS_PM	4	140B	127

1. Qty. refers to the number of registers that are similar to the one shown in the table. There may be more registers to control different channels, or several registers of similar type used for a particular function.

2. 1st Addr refers to the address (in hex) of the first occurrence of this type of register.

3. Page refers to the relevant page number in this document.

Framer (A1 and A2)

In STS-192 mode, when in frame, the framer outputs byte-aligned and frame-aligned data. In STS-48 mode, framing is performed on four independent channels. Frame timing, parity generation, and AIS insertion are also performed.

Enhanced framing, where every other A1 and A2 byte is inverted to better maintain the dc balance on the optical line, is also supported in STS-192 mode.

$A1\overline{A1}A1\overline{A1} \dots A1\overline{A1} = F609F609 \dots F609$.

$A2A2A2A2 \dots A2A2 = 28D728D7 \dots 28D7$.

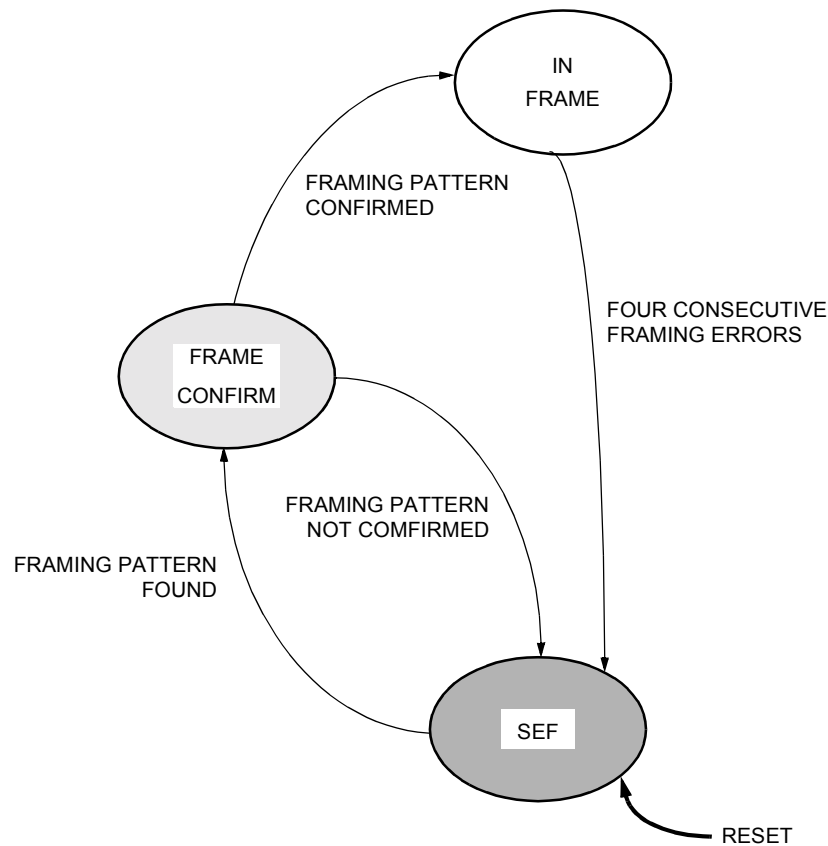
The STS-192 framer is described below. The STS-48 framer is similar. Enhanced framing is not used when in STS-48 mode (it is not part of the SONET/SDH specifications). Bit 1 of registers 0x1C00, 0x1D00, 0x1E00, and 0x1F00 should be set to normal mode when the TSOT0410G4 is operating in STS-48 mode.

Framer FSM. The framer FSM is responsible for determining the severely errored framing (SEF) and loss-of-framing (LOF) SONET framing alarms for each channel. The framer FSM is shown in Figure 4 on page 49.

The FSM comes out of reset in the SEF state with the SEF and LOF alarms active. The framing pattern used is the 16-bit word consisting of the last A1 byte, the first A2 byte, plus two additional A1 bytes. The first occurrence of the framing pattern transfers the FSM to the frame confirm state. Frame timing is also synchronized. Another framing pattern match coincident with expected frame timing transfers the state to in frame (i.e., it takes two consecutive valid framing patterns to frame to an incoming signal). Outside the SEF and frame confirm states, the SEF alarm output is inactive. As shown in the FSM, when in frame, it requires four consecutive framing errors to be transferred back to the SEF state.

- The LOF alarm is asserted if SEF persists for 24 frames (3 ms).
- The LOF alarm is terminated eight frames (1 ms) after the SEF alarm is terminated (i.e., eight frames after the FSM enters the in-frame state), provided the SEF state is not re-entered (as per SONET objectives).

Functional Description (continued)



5-8401(F).a

Figure 4. Framer FSM

The framing pattern is a subset of the A1A2 STS-N pattern. This design uses the 16-bit A1A2 boundary as the framing pattern which evaluates to an average SEF defect occurrence time of 31.79 minutes, assuming a Poisson bit error rate (BER) of 10^{-3} . This is greater than the minimum average SONET requirement of 6 minutes.

The SEF alarm is reported by a latched register bit in the LTE receive nonservice-affecting alarm register for the respective channel. The LOF alarm is reported by a latched register bit in the LTE receive service-affecting alarm register for the respective channel. In addition, a persistency bit for LOF exists in the LTE receive service-affecting persistency register. Detection of LOF and SEF defects are also indicated by the LTE receive last second PM register.

On powerup, detection of an LOF defect causes AIS to be inserted in all affected STS-1 channels by the framer. During AIS insertion, transport overhead (TOH) processing is disabled. This AIS insertion can be disabled using the LOF AIS disable control register bit for each channel, or replaced by insertion upon SEF detection using the SEF AIS disable control bit. Another control bit is the enhanced framing mode. These control bits are part of the LTE receive provisioning register for the respective channel. The framer is also responsible for sourcing parity with the framed channels. Parity errors can be forced using the chip-level maintenance register.

Functional Description (continued)

Table 17. Framer Register Summary

Function	Register Name (First Occurrence)	Register Bits	Qty.	1st Addr (hex)	Page
Enhanced Framing	LTE Receive Channel 1 Provisioning (R/W)	ENH_FRMG_CTL_1	4	1400	122
AIS Insertion on SEF, LOF	LTE Receive Channel 1 Provisioning (R/W)	SEF_AIS_DIS_1 LOF_AIS_DIS_1	4	1400	122
LOF Latched Alarm	LTE Receive Channel 1 Service-Affecting Interrupt Alarm (W1C)	LOF	4	1405	124
SEF Latched Alarm	LTE Receive Channel 1 Nonservice-Affecting Interrupt Alarm (W1C)	SEF	4	1408	125
LOF Persistency	LTE Receive Channel 1 Service-Affecting Persistency Alarm (RO)	LOF_PER	4	1407	124
LOF, SEF One Second PM	LTE Receive Channel 1 Performance Monitoring (RO)	LOF_PM SEF_PM	4	140B	127
Forcing Parity Errors	Chip-Level Maintenance (R/W)	FRC_PAR_ERR	1	0005	112

Descrambler

The data from the framer is descrambled using the SONET/SDH standard generator polynomial: $1 + x^6 + x^7$. The descrambling can be disabled through the DESCRM_DIS bit in the LTE receive channel provisioning register for each channel.

Table 18. Descrambler Register Summary

Function	Register Name (First Occurrence)	Register Bits	Qty.	1st Addr (hex)	Page
Descrambling Control	LTE Receive Channel 1 Provisioning (R/W)	DESCRM_DIS_1	4	1400	122

Time-Slot Interchanger (TSI)

For STS-192 data, the input stream must be demultiplexed to create four STS-48 data streams for further processing. The TSI reorders the data so that the STS-192 is divided into its four constituent STS-48 data streams.

Table 19 on page 51 shows the order of the bytes belonging to the individual STS-1s, or STS-1, components of an STS-Nc that comprise the STS-192 as it enters the TSI. Table 20 on page 51 shows the order of bytes after the TSI (STS-48 byte ordering). In the tables, the bytes arrive starting in the top left of the table, and then down each column. The STS-48 table should be interpreted as four simultaneous data streams, where the bytes are ordered starting with the top left of each channel, and then down each column.

If the TSOT0410G4 is in STS-48 mode, the data is received on all four channels and the TSI is bypassed.

Functional Description (continued)

Table 19. STS-192 Byte Ordering

Time (Top to Bottom, Then Left to Right) ⇒												STS-192 Number
1	49	97	145	2	50	98	146	3	51	99	147	1
4	52	100	148	5	53	101	149	6	54	102	150	
7	55	103	151	8	56	104	152	9	57	105	153	
10	58	106	154	11	59	107	155	12	60	108	156	
13	61	109	157	14	62	110	158	15	63	111	159	
16	64	112	160	17	65	113	161	18	66	114	162	
19	67	115	163	20	68	116	164	21	69	117	165	
22	70	118	166	23	71	119	167	24	72	120	168	
25	73	121	169	26	74	122	170	27	75	123	171	
28	76	124	172	29	77	125	173	30	78	126	174	
31	79	127	175	32	80	128	176	33	81	129	177	
34	82	130	178	35	83	131	179	36	84	132	180	
37	85	133	181	38	86	134	182	39	87	135	183	
40	88	136	184	41	89	137	185	42	90	138	186	
43	91	139	187	44	92	140	188	45	93	141	189	
46	94	142	190	47	95	143	191	48	96	144	192	

Table 20. STS-48 Byte Ordering

Time (Top to Bottom, Then Left to Right for Each STS-48 Channel) ⇒												STS-48 Number
1	13	25	37	2	14	26	38	3	15	27	39	1
4	16	28	40	5	17	29	41	6	18	30	42	
7	19	31	43	8	20	32	44	9	21	33	45	
10	22	34	46	11	23	35	47	12	24	36	48	
49	61	73	85	50	62	74	86	51	63	75	87	2
52	64	76	88	53	65	77	89	54	66	78	90	
55	67	79	91	56	68	80	92	57	69	81	93	
58	70	82	94	59	71	83	95	60	72	84	96	
97	109	121	133	98	110	122	134	99	111	123	135	3
100	112	124	136	101	113	125	137	102	114	126	138	
103	115	127	139	104	116	128	140	105	117	129	141	
106	118	130	142	107	119	131	143	108	120	132	144	
145	157	169	181	146	158	170	182	147	159	171	183	4
148	160	172	184	149	161	173	185	150	162	174	186	
151	163	175	187	152	164	176	188	153	165	177	189	
154	166	178	190	155	167	179	191	156	168	180	192	

Note: STS-12 byte ordering is shown in Table 29 on page 62.

Functional Description (continued)

Receive Transport Overhead (TOH) Processor

This block is responsible for terminating the transport overhead and is replicated four times. Each block accepts the frame and byte-aligned data for one STS-48 channel and extracts the transport section and line overhead. The extracted overhead is then either stored internally, or provided externally on a serial output, and may also be further processed for alarm or performance monitoring purposes.

In STS-48 mode, each channel is synchronized to a separate clock and carries complete transport overhead. In STS-192 mode, all channels are synchronized to the same clock and only the first STS-48 carries complete transport overhead, while the other channels only carry line BIP-8. The definition and associated storage or processing of each byte is detailed in the subsections that follow.

All processing of overhead bytes is inhibited while the following alarm defects are detected:

- LOS (if not disabled)
- LOF (if AIS insertion is enabled)
- SEF (if AIS insertion is enabled)
- Line AIS (only the line overhead bytes are inhibited)

Receive Overhead Serial Links

In addition to the individual storage or external availability of the overhead bytes described below, the full set of transport overhead bytes for each STS-48 channel (1296 bytes) are serialized and output on the ROHDAT_n_[1:0] pins. The bytes are sent, MSB first, with each pair of bits output on the positive edge of ROH_CLK_n (41.472 MHz). The location of the MSB of the first A1 byte is identified by the ROHFP_n output going high.

In STS-48 mode, each pair of ROHDAT_n_[1:0] pins transmits the transport overhead for an STS-48 channel. In STS-192 mode, the four pairs of ROHDAT_n_[1:0] pins transmit the entire STS-192 overhead (5184 bytes), where the ROHDAT1 pins transmit STS channels 1 through 48, and the ROHDAT2, ROHDAT3, and ROHDAT4 pins transmit STS channels 49 through 96, 97 through 144, and 145 through 192, respectively. The timing for this is described in the Receive Overhead Serial Link section on page 175.

Each interface determines its ROHFP by sampling the Rx frame using a metastable hand-off. Even in 10 Gbits/s mode, where the RXCLK and ROHCLK are the same, the different delays on the signals in each channel will create the potential for the metastable handlers to sample the channels, ± 1 clock cycles, of each other. This is unavoidable due to the possibility of the four channels being asynchronous. Any external logic that interfaces to ROHDAT should synchronize to each of the four channels independently using the individual ROHFP signals.

Internally, a memory is used for each channel to buffer the data and transfer it between the internal processing rate and the external data rate. This allows for the data to be transmitted in a nongapped manner. The operation of the memory is monitored using parity, and any errors are reported using the ROHDAT parity error alarm bit. This alarm bit is present in the corresponding LTE receive channel *n* nonservice affecting interrupt alarm register and is valid regardless of the mode (STS-48 or STS-192) in which the device is operating.

During AIS insertion due to LOS, LOF, or SEF (provisionable), 0xFF is constantly output for the overhead byte values.

Table 21. Receive Overhead Serial Links Register Summary

Function	Register Name (First Occurrence)	Register Bits	Qty.	1st Addr (hex)	Page
Parity Alarm	LTE Receive Channel 1 Nonservice-Affecting Interrupt Alarm (W1C)	RX_OH_MEM_PAR_ERR_1	4	1408	125

Functional Description (continued)

Section Trace (J0)

The section trace byte is present in the first STS-1 of the STS-48 or STS-192 only. Specified by the J0 message type control bit, the TOH processor supports extraction of either SONET 64-byte (ASCII, <CR><LF> terminated) or SDH 16-byte (E.164) section trace messages that are stored in internal memory. Processing of the received message then depends on the J0 message mode control bit. The content of the message is either monitored for a mismatch from a provisioned expected message or monitored for a sustained change (validation) in the received message.

If the J0 message mode control bit is set to the provisioned mode, then the incoming message is compared against the software programmed expected message. The expected message is stored in internal memory for each STS-48 channel. A mismatch is declared if a consistent received message differs from the expected message for ten consecutive messages. The mismatch clears when four out of five received messages match the expected message (fixed windowing is used for clearing). This mismatch state is reflected in the J0 message mismatch alarm bit.

When the J0 message mode control bit is set to the validated mode, the incoming message is monitored for a sustained change. A sustained change is detected when the received message differs from the last stable message for ten consecutive messages. The new message then becomes the stable message, is stored in internal memory, and the processor starts checking for a sustained change from this new stable message (i.e., there is no clearing criteria for a sustained change). The J0 new message alarm bit is set when a sustained change is detected.

Selection of the message type, SONET or SDH format, and the content monitoring mode (provisioned or validated), are provisionable on a per STS-48 channel basis through a corresponding LTE receive channel *n* maintenance register. The associated alarms for the two modes are reported in the LTE receive channel *n* nonservice-affecting interrupt alarm register.

The expected messages for all channels are provisioned through the microprocessor interface using the 64-byte J0 access message buffer. This message buffer is also used to read the contents of the expected, stable, or received messages for all channels. Accesses using the data buffer are paged according to direction (transmit and receive), STS-48 channel, and message type (expected/stable or received) through the use of the section trace access register. If the J0 message mode is set to the provisioned mode, the expected message is accessible. If the J0 message mode is set to the validated mode, then the stable message is accessible. Once the section trace access register is configured, the actual access is triggered by writing a 0x0001 value to the section trace access start register. The transfer from internal memory to/from the message buffer is performed on the next message boundary. Completion of the access is indicated by the access done flag being set in the section trace access status register.

Note: To insert J0 into the transmit stream, 0x0020 must be written register 0x1C01 (the enable insertion of provisioned J0 message register). See Table 137 on page 131 for detailed register information.

Internally, a memory is used to store the currently received section trace message as well as the stable or provisioned message. The operation of the memory is monitored using parity, and any errors are reported using the J0 parity error alarm bit.

Functional Description (continued)

Table 22. J0 Register Summary

Function	Register Name (First Occurrence)	Register Bits	Qty.	1st Addr (hex)	Page
Message Type Control	LTE Receive Channel 1 Maintenance (R/W)	J_MSG_TYPE_1	4	1401	123
Message Mode (Provisioned or Validated)	LTE Receive Channel 1 Maintenance (R/W)	J_MSG_MODE_1	4	1401	123
Message Mismatch Latched Alarm	LTE Receive Channel 1 Nonservice-Affecting Interrupt Alarm (W1C)	J_MSG_MISMATCH_INT _1	4	1408	125
New Message Latched Alarm	LTE Receive Channel 1 Nonservice-Affecting Interrupt Alarm (W1C)	J_NEW_MSG_INT_1	4	1408	125
J0 Access Message Buffer	J0 Access Message Buffers 1—32 (R/W)	LTE_J_ACCESS_ BUF_n[15:0]	32	1110	118
Message Buffer Access Control	Section Trace (J0) Access Maintenance (R/W)	All bits	1	1100	117
Message Buffer Access Start	J0 Access Message Start (WO)	LTE_J_ACCESS_MSG_ START	1	1102	118
Message Buffer Access Complete Flag	J0 Access Done (W1C)	J_ACCESS_DONE_ FLAG	1	1101	118
Buffer Parity Error Latched Alarm	LTE Receive Channel 1 Nonservice-Affecting Interrupt Alarm (W1C)	J_MEM_PARITY_ ERR_1S	4	1408	125

Section Growth (Z0)

No receive function has currently been defined for the section growth byte present in the remaining STS-1 locations of the STS-48 or STS-192 J0 byte.

Section BIP-8 (B1)

The section BIP-8 byte is located in the first STS-1 of the STS-48 or STS-192 only, and carries the even parity of the scrambled data in the previous STS-48 or STS-192 frame. In every frame, the received B1 value is extracted and compared to the calculated BIP-8 for the previous frame. Errors in the BIP-8 code are tabulated in an internal 16-bit counter based on either bit or block errors as provisioned for each channel through the B1 BIP mode control bit.

In bit mode (selected by default), each BIP-8 bit in error causes the counter to increment. If block error is selected, each BIP-8 code in error causes the counter to increment only once. Regardless of which mode is selected, the value in the counter is transferred to the section coding violation (CV-S) register on the positive edge of PM_CLK, at which point the counter is cleared. The counter will stop at the maximum value and will not roll over.

Section BIP-8 (B1) Errors Serial Access

The errors detected in section BIP-8 byte are located in the first STS-1 of the STS-48 or STS-192 and can optionally be extracted serially on the local the ROHDAT interface. See the Receive Overhead Serial Links section on page 52 for details on the ROHDAT interface.

A provisioning bit (B1_ERROR_MASK_EN (bit 7)) is provided in each LTE Rx channel provisioning register as a B1 error mask enable. When the B1_ERROR_MASK_EN bit is set, the B1 byte in ROHDAT is replaced with the B1 error mask from the previous frame. An error in the Rx B1 BIP-8 code will result in the corresponding bit in the error mask being set for one frame, with a one-frame delay due to retiming.

Functional Description (continued)

The ROHDAT interface B1 error mask extraction is enabled by provisioning the B1_ERROR_MASK_EN bit in the LTE Rx channel provisioning registers (0x1400, 0x1500, 0x1600, and 0x1700 respectively). (See Table 110 on page 122.) The appropriate bit definitions are shown in Table 23. The B1 error mask extract feature is always supported on individual STS-48 channels and will require all four channels to be provisioned in STS-192 mode.

Table 23. B1 Register Summary

Function	Register Name (First Occurrence)	Register Bits	Qty.	1st Addr (hex)	Page
B1 Error Bit Enable	LTE Receive Channel 1 Provisioning (R/W)	B1_ERROR_MASK_EN	4	1400	122
Bit Error/Block Error Control	LTE Receive Channel 1 Provisioning (R/W)	B1_BIP_MODE_1	4	1400	122
Last Second Coding Violations Count	LTE Receive Channel 1 CV-S Performance Monitoring (RO)	CV_S_REG_1	4	1410	128

Local Orderwire (E1)

The local orderwire byte is located in the first STS-1 of the STS-48 or STS-192 only, and provides a 64 kHz channel for voice communications between regenerators, hubs, and remote terminals. The byte is extracted from each frame, buffered, and then output serially, MSB first, on the RLCLOWn pin. During AIS insertion due to LOS, LOF, or SEF (provisionable), 0x7F is constantly output. The data is clocked out on the positive edge of ROWCKn.

The ROWCKn clock is divided down from the section data communications channel clock, RSDCKn (192 kHz/3), giving a frequency of 64 kHz and a duty cycle of 33%. In STS-48 mode, each of the four RLCLOW pins transmit the E1 byte for a channel. In STS-192 mode, only the RLCLOW1 pin transmits the E1 byte, while the other pins transmit a constant 0x7F serial stream.

Section User Channel (F1)

The section user channel byte is located in the first STS-1 of the STS-48 or STS-192 only, and provides a 64 kHz channel for use by the network provider. The byte is extracted in each frame, buffered, and output serially, MSB first, on the RSUSERn pin. During AIS insertion due to LOS, LOF, or SEF (provisionable), 0x7F is constantly output. The data is clocked out on the positive edge of ROWCKn.

In STS-48 mode, each of the four RSUSERn pins transmit the F1 byte for a channel. In STS-192 mode, only the RSUSER1 pin transmits the F1 byte, while the other pins transmit a constant 0x7F serial stream.

Section Data Communications Channel (D1, D2, and D3)

The section data communications channel bytes are located in the first STS-1 of the STS-48 or STS-192 only and are used as one 192 kHz message-based channel for operations, administration, and maintenance (OA&M) communication. The bytes are extracted from each frame, buffered, and output serially, MSB first, on the RSDCCn pin in the order that they are received. During AIS insertion due to LOS, LOF, or SEF (provisionable), 0xFF is constantly output. The data is clocked out on the positive edge of RSDCKn.

The RSDCKn clock is divided down from the line data communications channel clock, RLDCKn (576 kHz/3), giving a frequency of 192 kHz and a duty cycle of 33%. In STS-48 mode, each of the four RSDCC pins transmit the section data communication channel bytes for a channel. In STS-192 mode, only the RSDCC1 pin transmits these bytes, while the other pins are set high.

Functional Description (continued)

Line BIP-8 (B2)

The line BIP-8 is located in each STS-1 of the STS-48 or STS-192 and carries the even parity for the line overhead and SPE data within the previous STS-1 frame. The n line BIP-8 bytes in an STS- N are intended to provide a single error monitoring facility for the entire STS- N signal. Thus, each TOH processor block is used to check the 48 line BIP-8 codes, whether in STS-48 or STS-192 mode. Each BIP-8 bit found to be in error causes an internal 22-bit counter to increment.

The value in the counter is transferred to the line coding violation (CV-L) registers on the positive edge of PM_CLK, at which point the counter is cleared. The counter will stop at the maximum value and will not roll over. When in STS-192 mode, a read of the STS-48 channel 1 CV-L register returns the 24-bit sum of the four constituent STS-48 channel CV-L counts. However, reading channels 2—4 returns the CV-L count for the corresponding STS-48.

In addition to the CV-L counter, line BIP-8 errors are also tracked in 16-bit signal fail (SF) and signal degrade (SD) counters. These counters are used to detect SF and SD conditions for protection switching. The BER threshold for each defect is separately provisionable for each channel over a range of 1×10^{-N} values, where $N = 3$ to 5 for SF and $N = 5$ to 9 for SD.

The detection times and error limits used to detect and clear both defects are dependent on the provisioned BER threshold as shown in Table 24. The values shown in the table are the powerup defaults and are dependent on the STS mode selected (48 or 192). These values can be changed through the corresponding registers and are common to all channels.

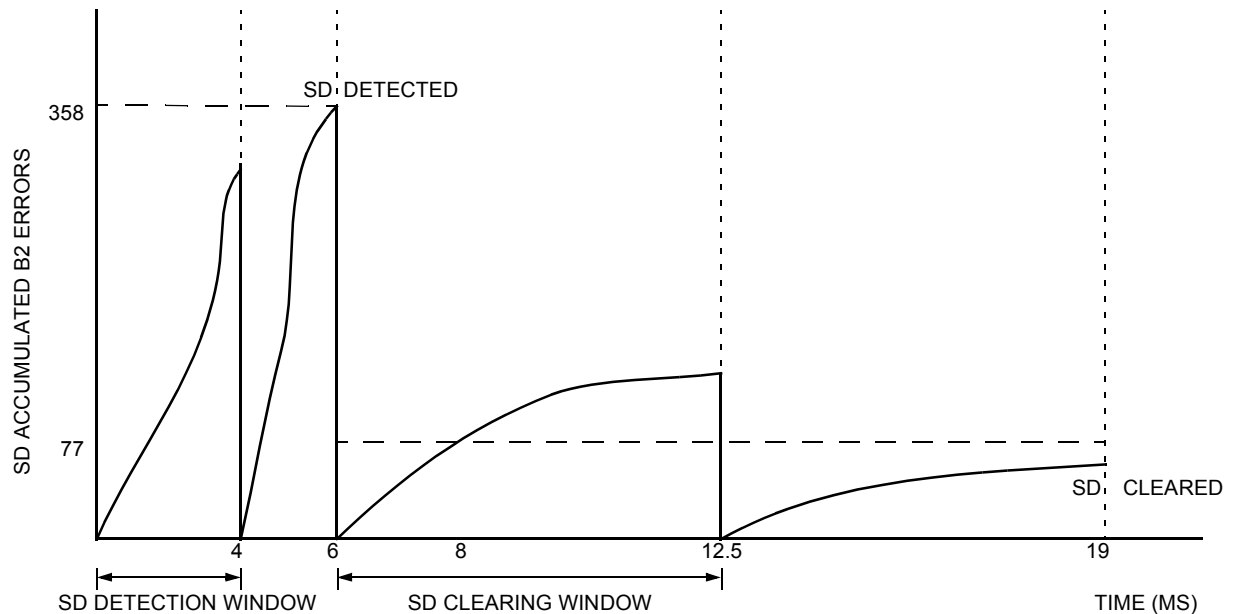
The clearing BER threshold for each defect is always 1/10th of the detection threshold. As can be seen in Table 24, the range of possible detect thresholds is 1×10^{-3} to 1×10^{-9} , which results in clear thresholds of 1×10^{-4} to 1×10^{-10} . For example, to detect SD at 1×10^{-5} BER in an STS-192, the detection time is 4 ms and the detect error limit is 358. The clearing would take place at 1×10^{-6} BER, with a clearing time of 6.5 ms and a clearing error limit of 77. Figure 5 on page 57 illustrates SD detection and clearing using the default values specified in Table 24.

SD thresholds of 1×10^{-10} to 1×10^{-15} are supported through software.

Table 24. BER Threshold Time and Error Limits for Line SD and SF Detection

BER Threshold	Detection Time		Detect Error Limit		Clear Error Limit	
	STS-48	STS-192	STS-48	STS-192	STS-48	STS-192
1×10^{-3}	4 ms	4 ms	4818	19453	—	—
1×10^{-4}	4 ms	4 ms	862	3543	957	3734
1×10^{-5}	4 ms	4 ms	81	358	114	423
1×10^{-6}	31 ms	6.5 ms	62	51	91	77
1×10^{-7}	312.5 ms	65 ms	62	51	91	77
1×10^{-8}	2600 ms	650 ms	51	51	77	77
1×10^{-9}	21 s	5250 ms	40	40	63	63
1×10^{-10}	170 s	41 s	—	—	52	51

Functional Description (continued)



5-8406(F)r.1

Figure 5. Example of STS-192 SD Detection (10^{-5} BER) and Clearing (10^{-6} BER)

In STS-192 mode, the thresholds are compared against the sum of the four STS-48 channel SF and SD counts. A detected SF or SD defect causes a corresponding maskable interrupt status bit to be set in the LTE receive channel *n* service-affecting alarm register.

The SD/SF BER control bits in the LTE receive channel *n* maintenance register select the bit error rate for a particular channel. These control bits then select the detection time, the detect error limit, and the clear error limits for each channel from the LTE receive common SD/SF registers. The detect error limit and the clear error limit registers contain 16-bit values, while the detection time registers use the lower 15 bits for a value and the upper bit for a time unit specifier. For the detection time register, the value contained in the lower 15 bits is either specified in 0.5 ms units (upper bit = 0) or in seconds (upper bit = 1). Note that the PM_CLK input to the device is used as the timing reference when the detection time is expressed in seconds.

A fixed windowing scheme is used for SD/SF detection. The window size is determined by the value in the detection time register for the specified bit error rate. An SD or SF alarm is declared immediately when the accumulated error count exceeds the value specified in the detect error limit register.

If this error limit is not reached by the end of the window, then the accumulated error count is reset to zero. When an SD or SF alarm is declared, the accumulated error count resets and clearing begins using the bit error rate threshold that is 1/10th of the specified value along with the corresponding detection time registers. Clearing of the SD or SF alarm only occurs at the end of the window when the accumulated error count is less than the value specified in the clear error limit register.

During AIS insertion due to LOS, LOF, SEF, or line AIS, processing of the B2 byte is inhibited and the internal SF/SD counters are reset back to zero. Because it takes five frames of line AIS before the actual line AIS alarm is declared, it is likely that the signal degrade alarm will also be triggered. Once AIS insertion is removed, processing of the B2 byte is delayed for two frames before it is enabled.

Functional Description (continued)

Table 25. B2 Register Summary

Function	Register Name (First Occurrence)	Register Bits	Qty.	1st Addr (hex)	Page
Last Second Coding Violations Count	LTE Receive Channel 1 CV-L Performance Monitoring (L) (RO)	CV_L_REG_1_L/ CV_L_REG_1_U	4	140E/ 140F	127
SD/SF Detection Time	Line Signal Degrade/Signal Fail Bit Error Rate Detection Time (1×10^{-3}) (R/W)	SD_SF_DETECT_ TIME_3	8	1300	119
SD/SF Detect Error Limit	Line Signal Degrade/Signal Fail Detect Error Limit (1×10^{-3}) (R/W)	SD_SF_ERR_ LIMIT_3	7	1310	120
SD/SF Clear Error Limit	Line Signal Degrade/Signal Fail Clear Error Limit (1×10^{-4}) (R/W)	SD_SF_CLR_ERR_ LIMIT_3	7	1320	121
SD/SF Threshold Selection	LTE Receive Channel 1 Maintenance (R/W)	SD_BER_1/ SF_BER_1	4	1401	123
SD/SF Latched Alarms	LTE Receive Channel 1 Service-Affecting Interrupt Alarm (W1C)	SD_ALARM_1/ SF_ALARM_1	4	1405	124

Line BIP-8 (B2) Errors Serial Access

The errors detected in the line BIP-8 (B2) byte for each STS-1 can optionally be extracted serially on the local orderwire (RLCLOWn), express orderwire (REXPOWN), and orderwire clock (OW_CLKn) pins of each STS-48. This extraction is enabled on a global basis (i.e., all channels) by provisioning the LTE Transmit—B2 Corrupt Frame Count (R/W) register (on page 128) with a value greater than 806310. The appropriate bit definitions are shown in Table 130 on page 128, register 1B02. The TOH transparency feature is always supported on individual STS-48 channels and will require all four channels to be provisioned in STS-192 mode. When enabled, the B2 errors detected in each STS-1 of an STS-48 are output serially on the REXPOWN pin as a byte containing a 1 in each bit position found in error. These error masks are clocked out on the positive edge of a 78 MHz clock that is provided on the OW_CLKn pin. Because this frequency is much higher than the bit rate of the B2 bytes, the 48 error masks on each REXPOWN pin are output in a burst fashion once per frame. The presence of this burst is indicated by a continuous logical high on the RLCLOWn pin. The data within the burst follows SONET STS-1 channel ordering, but with the 48 channels serialized in 4-byte chunks with the LSB (newest data) sent first. In other words, the STS-1 error masks for each STS-48 are sent LSB first in the following order: 10, 7, 4, 1; 22, 19, 16, 13; 34, 31, 28, 25; 46, 43, 40, 37; 11, 8, 5, 2; 23, 20, 17, 14; 35, 32, 29, 26; 47, 44, 41, 38; 12, 9, 6, 3; 24, 21, 18, 15; 36, 33, 30, 27; 48, 45, 42, 39.

APS Channel (K1 and K2)

The APS channels bytes are located in the first STS-1 of the STS-48 or STS-192 only and are used for automatic protection switching (APS) signaling to coordinate line level protection switching. In addition, the K2 byte is also used to carry line AIS (AIS-L) and line RDI (RDI-L) signals.

A new value in either byte is only validated after it has been received N times consecutively, where N is provisionable to 3 or 5 using the K1K2 validate select control bit. When a K1 or K2 byte is validated, the value is stored in the K byte status register and the K1K2 new byte alarm bit is set. These two alarms are only generated when the value of the new validated K1 or K2 byte is different from the value of the last validated byte. Validation of the K1 and K2 bytes, and the generation of the alarms, are not affected by the line AIS status.

Functional Description (continued)

The validated K1 and K2 bytes are further processed for the following defects:

- Protection switching byte. This defect occurs when either an inconsistent APS byte or an invalid code is detected. An inconsistent APS byte occurs when no N consecutive K1 bytes of the last 12 successive frames are identical, starting with the last frame containing a previously consistent byte. An invalid code occurs when the incoming K1 byte contains an unused code or a code irrelevant for the specific switching operation in three consecutive frames. An invalid code also occurs when the incoming K1 byte contains an invalid channel number in three consecutive frames. As invalid code detection requires information not readily available to hardware; it must be detected by software polling of the validated K1 byte value. An inconsistent APS byte defect is detected by hardware and will cause a latched alarm status bit to be set in the corresponding LTE receive channel *n* nonservice affecting interrupt alarm register. It is cleared when a K1 byte is received and validated. An inconsistent APS byte defect is neither detected nor terminated during AIS-L defect. Processing of the inconsistent APS byte defect is also inhibited when the validated K1 byte has a value of 0xFF and bits 6—8 of the validated K2 byte have a value of 111. This additional feature prevents a change in the inconsistent APS defect state just before line AIS is declared.
- Channel mismatch. This defect occurs when the channel numbers in the transmitted K1 byte (bits 5—8) and the validated received K2 byte (bits 1—4) are not identical. Detection of a channel mismatch defect causes a latched alarm status bit to be set in the corresponding LTE receive channel *n* nonservice-affecting interrupt alarm register. A channel mismatch defect is neither detected nor terminated during an AIS-L defect. Processing of the channel mismatch defect is also inhibited when the validated K2 byte has a value of 1111x111 binary. This additional feature prevents a change in the channel mismatch defect state just before line AIS is declared.

In addition, the currently received K2 byte is processed for the following defects:

- Line AIS (AIS-L). Declared when bits 6—8 of K2 contain 111 for five consecutive frames. Cleared when any other pattern is received for five consecutive frames. Detection of a line AIS defect is indicated by a latched alarm status bit, persistency bit, and one second PM bit being set in the registers for the affected channel.
- Line RDI (RDI-L). Declared when bits 6—8 of K2 contain 110 (binary) for five consecutive frames. Cleared when any other pattern is received for five consecutive frames. Detection of a line RDI defect is indicated by a latched alarm status bit, persistency bit, and one second PM bit being set in the registers for the affected channel.

Table 26. APS Channel (K1 and K2) Register Summary

Function	Register Name (First Occurrence)	Register Bits	Qty.	1st Addr (hex)	Page
K1K2 Validation Length (3 or 5)	LTE Receive Channel 1 Provisioning (R/W)	K_VALIDATE_LIMIT_SEL_1	4	1400	122
Validated K1K2 Storage	LTE Receive Channel 1 K Byte Status (RO)	RX_K1_VALIDATED_BYTE_1 RX_K2_VALIDATED_BYTE_1	4	1403	123
New Validated K1K2 Alarm	LTE Receive Channel 1 Nonservice-Affecting Interrupt Alarm (W1C)	RX_K1_NEW_BYTE_RAW_INT_1 RX_K2_NEW_BYTE_RAW_INT_1	4	1408	125
Inconsistent APS Alarm	LTE Receive Channel 1 Nonservice-Affecting Interrupt Alarm (W1C)	INCONSISTENT_APS_ALARM_1	4	1408	125
Channel Mismatch Alarm	LTE Receive Channel 1 Nonservice-Affecting Interrupt Alarm (W1C)	CHANNEL_MISMATCH_ALARM_1	4	1408	125
AIS-L Latched Alarm	LTE Receive Channel 1 Service-Affecting Interrupt Alarm (W1C)	RX_LINE_AIS_ALARM_1	4	1405	124
AIS-L Persistency	LTE Receive Channel 1 Service-Affecting Persistency Alarm (RO)	AISL_PER	4	1407	124

Functional Description (continued)

Table 26. APS Channel (K1 and K2) Register Summary (continued)

Function	Register Name (First Occurrence)	Register Bits	Qty.	1st Addr (hex)	Page
Last Second AIS-L PM	LTE Receive Channel 1 Performance Monitoring (RO)	RX_LINE_AIS_PM_1	4	140B	127
RDI-L Latched Alarm	LTE Receive Channel 1 Nonservice-Affecting Interrupt Alarm (W1C)	RX_LINE_RDI_ALARM_1	4	1408	125
RDI-L Persistency	LTE Receive Channel 1 Nonservice-Affecting Persistency Alarm (RO)	RX_LINE_RDI_PER_1	4	140A	127
Last Second RDI-L PM	LTE Receive Channel 1 Performance Monitoring (RO)	RX_LINE_RDI_PM_1	4	140B	127

Line Data Communication Channel (D4—D12)

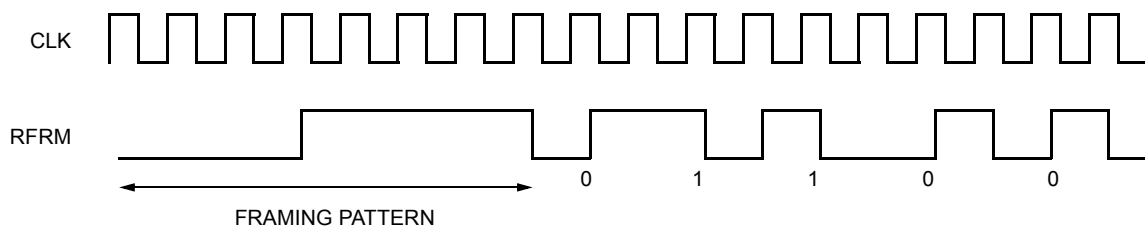
The line data communication channel bytes are located in the first STS-1 of the STS-48 or STS-192 only, and are used as one 576 kHz message-based channel for operations, administration, and maintenance communication (OA&M). The bytes are extracted from each frame, buffered, and are output serially, MSB first, on the RLDCC_n pin. During AIS insertion due to LOS, LOF, or SEF (provisionable), 0xFF is constantly output. The data is clocked out on the positive edge of RLD_CLK_n. The RLD_CLK_n clock is divided down from the internal data clock (622.08 MHz/1080), giving a frequency of 576 kHz and a duty cycle of roughly 50%.

In STS-48 mode, each of the four RLDCC pins transmit the line data communication channel bytes for that channel. In STS-192 mode, only the RLDCC_1 pin transmits these bytes, while the other pins are set high.

Synchronization Status (S1)

The synchronization status byte is located in the first STS-1 of the STS-48 or STS-192 only, and is used to convey the synchronization status of a network element. The byte is extracted from each frame. A new value is only validated and stored in the S1 byte after it has been received eight consecutive times. Detection of a new validated byte is indicated by the latched S1 new byte alarm bit. The alarm is only generated when the value of the new validated byte is different from the value of the last validated byte.

The validated synchronization status byte is also transmitted on the RFRMn pin for each channel when the RFRM output enable control bit is set high. The byte is serialized MSB first as a repeating 77.76 MHz Manchester encoded* 16-bit code that is interrupted once per frame by the frame sync pattern 00001111. While the data rate of the signal is 77.76 MHz, the output pin is driven with 622 MHz low-voltage differential drivers, synchronous to the corresponding R_CLKO_n clock. When the RFRM output enable control bit is set low (the default value), an 8 kHz clock is transmitted on the RFRMn pin.



5-8402(F)

Figure 6. Timing Diagram for RFRM

* A logic 0 is encoded as an upward transition at the bit center; a logic 1 is encoded as a downward transition at the bit center. Each Manchester encoded bit requires two clock cycles. The frame sync pattern is not Manchester encoded, and therefore each bit only requires one clock cycle.

Functional Description (continued)

During AIS insertion due to LOS, LOF, SEF, or line AIS, a constant high signal is transmitted on the RFRM_n pin, regardless of the RFRM output enable control bit.

In STS-48 mode, each of the four RFRM_n pins operates according to the functionality specified above. In STS-192 mode, only the RFRM₁ pin transmits the validated synchronization status byte or the 8 kHz clock.

Table 27. Synchronization Status (S1) Register Summary

Function	Register Name (First Occurrence)	Register Bits	Qty.	1st Addr (hex)	Page
New Validated S1 Latched Alarm	LTE Receive Channel 1 Nonservice-Affecting Interrupt Alarm (W1C)	RX_S1_NEW_BYTE_RAW_INT_1	4	1408	125
RFRM Output Enable Control Bit	LTE Receive Channel 1 Provisioning (R/W)	RX_FRM_EN_1	4	1400	122

STS-192 Line Remote Error Indication (M1)

The line remote error indication (REI-L) byte is located in the third STS-1 of the STS-48 or STS-192 only (in order of appearance in the STS-192 signal), and is used to convey to the far end the number of errors detected using the line BIP-8 bytes (truncated at 255). The byte is extracted from each frame and the value added to an internal 21-bit counter. The value in the counter is transferred to the REI-L registers on the positive edge of the PM_CLK input, at which point the counter is cleared. The counter will stop at the maximum value and will not roll over.

Table 28. Line REI (M1) Register Summary

Function	Register Name (First Occurrence)	Register Bits	Qty.	1st Addr (hex)	Page
Last Second REI-L Count	LTE Receive Channel 1 REI-L Performance Monitoring (U) (RO)	REI_L_REG_1_U/ REI_L_REG_1_L	4/ 4	140D, 140C	127/ 127

Express Orderwire (E2)

The express orderwire byte is located in the first STS-1 of the STS-48 or STS-192 only, and provides a 64 kHz channel for voice communications between line entities. The byte is extracted from each frame, buffered, and then output serially, MSB first, on the REXPOW_n pin. During AIS insertion due to LOS, LOF, SEF (provisionable), or line AIS, 0x7F is constantly output. The data is clocked out on the positive edge of ROW_CLK_n.

In STS-48 mode, each of the four REXPOW pins transmit the E2 byte for a channel. In STS-192 mode, only the REXPOW₁ pin transmits the E2 byte while the other pins transmit a constant 0x7F serial stream.

Receive STS Path Processor

This block is replicated four times. Each block accepts the data for one STS-48 channel and terminates the SONET/SDH path layer overhead, without terminating the full path layer (i.e., demapping the payload). It provides pointer interpretation, path overhead processing, and drop interface alignment (pointer generation) for any mix of valid STS payloads from 48 channels of STS-1 to one channel of STS-48c, or part of an STS-192c channel. The exact mix of payloads is determined automatically by hardware by examining the pointer bytes. The received payloads can be optionally compared to a software provisioned map using the software concatenation map registers in the microprocessor interface. Concatenated payloads must follow the basic position requirement specified in GR-256-CORE that concatenated payloads start on an STS-3 boundary (STS-1 payloads may start anywhere). Note that the terminology used is from SONET, although SDH is also supported.

Functional Description (continued)

The pointer interpretation, path overhead processing, and drop interface alignment functions are actually grouped on an STS-12 level. Thus, each path processor block contains four instances of each of these functions along with a TSI module to convert the input data into four STS-12 channels. Of the path overhead processing functions, however, path trace monitoring is supported on any single STS-1 in each STS-48.

1:4 Demultiplex TSI

In order to demultiplex the STS-48 data stream into four valid STS-12 data streams, the bytes in the STS-48 data must be reordered. Table 20 on page 51 shows the STS-1 ordering at the input to the four demultiplexers. Table 29 shows the STS-1 ordering after the demultiplexers.

Table 29. STS-12 Byte Ordering

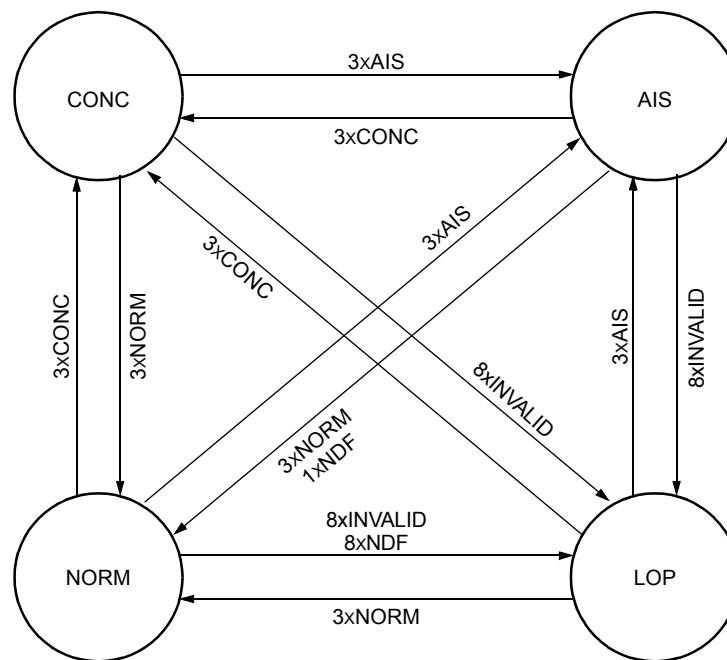
Time (Left to Right for Each STS-12 Channel) ⇒												STS-12 Number
1	4	7	10	2	5	8	11	3	6	9	12	1
13	16	19	22	14	17	20	23	15	18	21	24	2
25	28	31	34	26	29	32	35	27	30	33	36	3
37	40	43	46	38	41	44	47	39	42	45	48	4
49	52	55	58	50	53	56	59	51	54	57	60	5
61	64	67	70	62	65	68	71	63	66	69	72	6
73	76	79	82	74	77	80	83	75	78	81	84	7
85	88	91	94	86	89	92	95	87	90	93	96	8
97	100	103	106	98	101	104	107	99	102	105	108	9
109	112	115	118	110	113	116	119	111	114	117	120	10
121	124	127	130	122	125	128	131	123	126	129	132	11
133	136	139	142	134	137	140	143	135	138	141	144	12
145	148	151	154	146	149	152	155	147	150	153	156	13
157	160	163	166	158	161	164	167	159	162	165	168	14
169	172	175	178	170	173	176	179	171	174	177	180	15
181	184	187	190	182	185	188	191	183	186	189	192	16

Receive Pointer Processor

The STS pointer processor is used for phase absorption and frequency synchronization of SONET payload from one clock domain (the receive or line timing) to another (the drop interface timing). This is accomplished by three basic functions: pointer interpreter, elastic store, and pointer generator. The pointer interpreter extracts the SONET synchronous payload envelope (SPE) from the incoming data by interpreting the H1 and H2 pointer bytes of the line overhead. The SPE is then written to the elastic store. The pointer generator reads the SPE from the elastic store and regenerates the H1 and H2 pointer bytes. Since the pointer processor does not terminate the path, intermediate performance monitoring is performed (i.e., the path overhead is not modified).

Pointer Interpreter Functions. The STS pointer interpreter interprets the H1 and H2 bytes for each incoming STS-1. The interpreter has four states: loss of pointer (LOP), alarm indication signal (AIS), normal (NORM), and concatenation indication (CONC). The state diagram is shown in Figure 7 on page 63.

Functional Description (continued)



5-8400(F)r.1

Figure 7. Pointer Interpreter State Machine

Incoming pointers are categorized into one or more of the following categories:

1. Normal pointer.
2. New data flag (NDF) pointer.
3. Concatenation indicator.
4. AIS pointer.
5. Invalid pointer.

Consecutive (and identical, in the case of normal) pointers in each category are counted and used to determine state transitions, as shown in Figure 7. When changing states, NORM, CONC, and AIS always take precedence over LOP (NORM, CONC, and AIS being mutually exclusive) if conditions indicate that two different transitions are possible.

In NORM state, increments and decrements can be evaluated in either SONET or SDH modes on a per-STS-12 basis. The provisioning is done with the INT_SONET_SDH bit in the STS-12 pointer processor provisioning register, using the following rules:

- In SONET mode, the 8 of 10 rule is used, where eight of the ten I and D bits must be correct for the pointer to be considered an increment or decrement. Register 0x3000 bit 4 should be set to 1 for this mode.
- In SDH mode, the 3 of 5 rule is used, where three of the five I bits and three of the five D bits must be correct for the pointer to be considered an increment or decrement. Register 0x3000 bit 4 should be set to 0 for this mode.

Also in NORM state, three identical normal pointers with an offset different from the currently validated offset, or a single NDF pointer with a valid offset will cause the new offset to become the validated offset. The SPE will then be extracted at the new offset.

Functional Description (continued)

Classification of invalid pointers depends on the state. In NORM state, any pointer that is not one of the following is considered invalid:

- Normal NDF with the offset equal to the currently validated offset.
- NDF set with a valid offset.
- AIS pointer (all ones).
- An increment or decrement where all ten I and D bits are correct.

In AIS state, any pointer that is not an AIS pointer is considered invalid. In CONC state, any pointer that is not a concatenation indicator or an AIS pointer is considered invalid.

The pointer interpreter provides the following information:

- AIS-P and LOP-P defect indications on a per-STS-1 basis: these are used to create the LOP-P and AIS-P alarms in the STS-1 channel path alarms register, whose persistency is shown in the AIS_P_PERS and LOP_P_PERS bits of the STS-1 path alarm persistency register, and the AIS_P_PM and LOP_P_PM alarms in the path overhead last second bin register.
- A per-STS-1 indication of CONC state (RECD_CONC_MAP).

Table 30. Pointer Interpreter Register Summary

Function	Register Name (First Occurrence)	Register Bits	Qty.	1st Addr (hex)	Page
SONET/SDH Increment/ Decrement Evaluation Rules	STS-12 Pointer Processor Provisioning, STS-1 #1 to STS-1 #12 (R/W)	INT_SONET_SDH	16	3000	145
Received Concatenation Map	Received Concatenation Map STS-1 #1 to STS-1 #12 (RO)	RECD_CONC_MAP	16	440F	163
AIS-P Latched Alarm	STS-1 #1 Alarm Interrupt Status (W1C)	AIS_P	192	3013	147
AIS-P Persistency	STS-1 #1 Alarm Persistency (RO)	AIS_P_PERS	192	3015	148
Last Second AIS-P PM	STS-1 #1 PM Last Second Indicators (RO)	AIS	192	3016	148
LOP-P Latched Alarm	STS-1 #1 Alarm Interrupt Status (W1C)	LOP_P	192	3013	147
LOP-P Persistency	STS-1 #1 Alarm Persistency (RO)	LOP_P_PERS	192	3015	148
Last Second LOP-P PM	STS-1 #1 PM Last Second Indicators (RO)	LOP	192	3016	148

Elastic Store Functions. The elastic store provides a 20-byte deep buffer for each STS-1 channel. The receive SPE bytes for each STS-1 are written into the store along with an indication of SPE phase. The bytes are then read out of the store using drop interface timing, under control of the pointer generator. If the receive and drop timing is synchronous, the elastic store will remain half filled with the write and read pointers 180 degrees (10 bytes) apart. Any difference in the rates, or pointer adjustments on the receive side, will cause the store to fill or empty. A phase comparator in the elastic store monitors the fill level of the store and generates a pointer adjustment in the pointer generator whenever the level crosses a minimum or maximum threshold. These thresholds are symmetrical around the half-fill point in the store and are selected to provide 5 bytes of uncertainty for the transport overhead, a 3-byte window for pointer adjustments, and 2 bytes of dead band. Thus, the elastic store will cause a pointer adjustment in the pointer generator when the path timing of the incoming STS-1 has drifted more than an average of ± 2 bytes from start-up conditions.

Functional Description (continued)

The integrity of the elastic store is constantly monitored for overflow/underflow conditions. If either of these conditions is detected, the read and write pointers are reset and the ES_OVRUN bit in the corresponding STS-1 channel path alarms register is set.

Table 31. Elastic Store Register Summary

Function	Register Name (First Occurrence)	Register Bits	Qty.	1st Addr (hex)	Page
Elastic Store Overrun Alarm	STS-1 #1 Alarm Interrupt Status (W1C)	ES_OVRUN	192	3013	147

Pointer Generator Functions. The pointer generator monitors the elastic store and produces a new pointer to align the read data to the frame phase of the drop interface. The base value of the pointer is determined by the offset between the phase of the SPE in the read data and the drop frame indication (DFRM). This value is then modified by the following conditions:

- An increment or decrement operation is performed whenever the elastic store indicates the phase difference between the read and write pointers exceeds a minimum or maximum threshold. No increment or decrement operation will be performed for three frames following any pointer change operation.
- A new pointer value is sent along with an NDF for one frame whenever the SPE phase suddenly changes position.
- A new pointer value is sent along with an NDF for one frame whenever an elastic store overflow or underflow occurs, causing the read and write pointers to be reset.
- An all ones pointer value is sent whenever the pointer interpreter indicates the channel is in LOP or AIS state, or when AIS insertion is enabled for the channel through the microprocessor interface. If the channel is the head of a concatenated payload, all STS-1 channels associated with the payload will also have AIS inserted. A new pointer value is sent along with an NDF for one frame following the termination of the all ones.
- An all ones pointer value is sent within 125 μ s of the interpreter receiving an all ones pointer (as per SONET objective O3-99).
- Bits 5 and 6 of H1 (the SS-bits in SDH) pass through from the pointer interpreter, except during AIS-P, when they are set to 11.

The output of the pointer generator is the SPE data and the H1, H2, and H3 bytes for each STS-1 processed. All other bytes in the SONET frames are defined by the receive payload drop interface.

Pointer Generator Bypass Function. The pointer processor has the ability to bypass the pointer generator for use in applications where the line timing is passed on (i.e., through timing, in an OC-192 to OC-12 deMUX). This is achieved by pulling up the DRPBYP pin to VDD. When the pointer generator is bypassed, the output data is taken from the pointer interpreter instead of from the output of the pointer generator. In this case, receive timing will be used by the payload drop interface.

Table 32. Pointer Generator Bypass Register Summary

Function	Register Name (First Occurrence)	Register Bits	Qty.	1st Addr (hex)	Page
DRPBYP Pin Readback Bit	Chip Status (RO)	DRPBYP	1	0006	112

Functional Description (continued)

Receive TOH Transparency. A passthrough capability using software provisioning for the TOH on the line interface to/from the TOH on the equipment interface is provisioned for the receive direction when the device setup STS-192 mode. In this case, receive timing will be used by the payload drop interface. The receive direction has the option for full TOH transparency of just line overhead transparency with section overhead used for the normal proprietary drop I/F OH. This feature is enabled in software by setting the appropriate bits in the LTE transmit channel 1—4 provisioning (R/W) registers (0x1C00, 0x1D00, 0x1E00, and 0x1F00, respectively). TOH transparency feature is always supported on individual STS-48 channels and will require all four channels to be provisioned in STS-192 mode. When this feature is enabled, both the transmit and receive sections will be provisioned to the same mode (i.e., the function cannot be set up differently in transmit and receive directions). A full description is found in the TOH Transparency section on page 85.

This feature is available on a per STS-48 level. When TOH transparency is enabled, the PP will be bypassed on a per STS-48 level. See the Receive Pointer Processor section on page 62 for more information on how this mode affects the device.

AIS Insertion Functions. The pointer interpreter decides when to insert AIS-P on output data. The conditions under which AIS-P is inserted are summarized in Table 33. The conditions are provisioned on a per-STS-12 basis in the STS-N pointer processor control (provisioning) register with the AUTO_AIS_DIS bit.

Table 33. AIS-P Insertion Conditions

Condition	AUTO_AIS_DIS Bit Value	Output Data
Interpreter AIS-P	0	AIS-P ¹
	1	Flow-Through
Interpreter LOP-P	0	AIS-P ¹
	1	Flow-Through
Software AIS Insert Register	NA	AIS-P ¹
Receive (line) Clock Lost	NA	AIS-P ¹
First STS-1 in STS-48/STS-192 Stream Receives a Valid Concatenation Indicator	NA	AIS-P ¹

1. AIS-P affects H1, H2, H3, and all SPE bytes.

The flow-through data, as indicated in the table, will be different based on whether the pointer generator is being bypassed—specifically, the H1, H2, and H3 bytes will be different. If the pointer generator is not bypassed, the H1, H2, and H3 bytes will be generated by the pointer generator and will be normal pointers with the last known offset. In pointer generator bypass mode, the H1, H2, and H3 bytes will be the same as those received by the pointer interpreter, and any downstream equipment will see the same defects as the pointer interpreter.

Note: It is not recommended to set the AUTO_AIS_DIS bit unless in pointer generator bypass mode. This feature is intended to be used only in the pointer generator bypass mode.

Concatenated STS-1s will follow the AIS insertion of the STS-1 at the head of the concatenation. Changes to concatenated STS-1s will take effect during the pointer bytes (H1, H2, and H3). Thus, when using software AIS insert on the first STS-1 in the concatenation, it will immediately begin sending AIS-P data and the rest of the concatenation will begin sending AIS-P data after the next pointer (as seen in the pointer interpreter). In addition, AIS-P can be inserted on any STS-1 within a concatenation individually by writing the appropriate bit in the software AIS insert register.

Functional Description (continued)

Table 34. Path AIS Insertion Register Summary

Function	Register Name (First Occurrence)	Register Bits	Qty.	1st Addr (hex)	Page
Disabling of AIS-P Insertion on AIS-P and LOP-P Defects	STS-12 Pointer Processor Provisioning, STS-1 #1 to STS-1 #12 (R/W)	AUTO_AIS_DIS	16	3000	145
Software AIS-P Insertion Control	STS-12 Pointer Processor Maintenance, STS-1 #1 to STS-1 #12 (R/W)	PP_CH_SW_AIS_INS_n	16	3001	145

Concatenation. Each STS-1 position has its own state machine. When an STS-1 enters the CONC state, indicating receipt of validated concatenation indicators, it begins following all pointer operations indicated by the first STS-1 in the concatenation. Information is passed between STS-12 pointer processing blocks to facilitate concatenations up to STS-192c. This allows the TSOT0410G4 to automatically adjust to incoming concatenated payloads.

An unsupported concatenation alarm and a concatenation mismatch alarm are created to indicate status of the received concatenated payloads. The unsupported concatenation alarm is asserted when the received concatenation map from the pointer interpreter contains concatenations that cross an STS-3 boundary, but do not start at an STS-3 boundary, because the pointer interpreter and pointer generator cannot process such concatenations correctly.

The concatenation mismatch alarm is generated if an STS-1's concatenation state does not match the provisioned expect state for that STS-1 and the comparison is enabled. The expect values are provisioned in the software concatenation map registers and the comparisons are enabled (on an STS-1 basis) in the software concatenation mask registers.

The unsupported concatenation alarms and concatenation mismatch alarms are both reported on an STS-12 basis. In order to find the offending STS-1(s), the corresponding received concatenation map register(s) must be read and examined. The unsupported concatenation map alarm will be reported in the STS-12 that contains the first STS-1 of the unsupported concatenation.

In the received concatenation map and the software concatenation map, the first STS-1 in a concatenation is flagged with 0 and all other STS-1s in the concatenation are flagged with 1s. In the registers, the first STS-1 of the STS-12 is in the LSB and the STS-1s are in SONET order. Since only 12 STS-1s are reported in each register, the four most significant bits are ignored. For example, if a read of a received concatenation map register returns 0x0FB6 (binary xxxx 1111 1011 0110), this means that there is an STS-3c starting at the first STS-1 of that particular STS-12, and an STS-3c starting at position 4, and an STS-6c (or larger) starting at position 7. To determine if the last concatenation is larger than STS-6c, the concatenation map for the next STS-12 must be read.

In order to check the software concatenation map against the received concatenation map, every STS-1 in the concatenation (including the first) should have the compare enabled with the appropriate compare enable bit.

Functional Description (continued)

Table 35. Concatenation Register Summary

Function	Register Name (First Occurrence)	Register Bits	Qty.	1st Addr (hex)	Page
Concatenation Mismatch Alarm	STS-48 Channel Path Alarms 1 (W1C)	CONC_MAP_MMCH_1	4	4413	164
Unsupported Concatenation Alarm	STS-48 Channel Path Alarms 1 (W1C)	UNSUPP_CONC_MAP_1	4	4413	164
Received Concatenation Map	Received Concatenation Map STS-1 #1 to STS-1 #12 (RO)	RECD_CONC_MAP	16	440F	163
Software Provisioned Expected Concatenation Map	S/W Concatenation Map STS-1 #1 to STS-1 #12 (R/W)	SW_CONC_MAP	16	4406	161
Provisioned Concatenation Map Compare Enable	S/W Concatenation Mask STS-1 #1 to STS-1 #12 (R/W)	SW_CONC_MASK	16	440B	162

Pointer Justification (Increment and Decrement) Binning. For performance monitoring purposes, there is a provision to accumulate last second pointer justifications for one STS-1 in each STS-12 pointer processor. On each positive edge of the PM_CLK input, the last second counts of received and generated increments and decrements are transferred to the appropriate registers.

The STS-1 within the STS-12 that will be monitored is provisioned by setting the INT_INC_BIN bits to the SONET STS-1 number desired in the STS-12 pointer processor control (provisioning) register. Programming this register to an invalid value will stop accumulation of justification information, but will not clear any justifications already counted.

All of the justification counters will saturate at a value of 2000 (decimal). This is the maximum number of justifications that can be performed in one second.

Table 36. Pointer Justification Binning Register Summary

Function	Register Name (First Occurrence)	Register Bits	Qty.	1st Addr (hex)	Page
Selection of STS-1 within STS-12 to Monitor	STS-12 Pointer Processor Provisioning, STS-1 #1 to STS-1 #12 (R/W)	INT_INC_BIN	16	3000	145
Last Second Increments Received	STS-12 Pointer Interpreter PM, Last Second Increments, STS-1 #1 to STS-1 #12 (RO)	PP_CH_INT_INC_PM	16	3002	145
Last Second Decrements Received	STS-12 Pointer Interpreter PM, Last Second Decrements, STS-1 #1 to STS-1 #12 (RO)	PP_CH_INT_DEC_PM	16	3003	146
Last Second Increments Generated	STS-12 Pointer Generator PM, Last Second Increments, STS-1 #1 to STS-1 #12 (RO)	PP_CH_GEN_INC_PM	16	3004	146
Last Second Decrements Generated	STS-12 Pointer Generator PM, Last Second Decrements, STS-1 #1 to STS-1 #12 (RO)	PP_CH_GEN_DEC_PM	16	3005	146

Functional Description (continued)

Receive Path Overhead (POH) Processor

This block accepts the payload mapping information, status, and timing from the receive pointer interpreter, and extracts the path overhead from up to 12 STS channels. The extracted overhead is then stored internally and may be further processed for alarm or performance monitoring purposes. While an STS channel is in AIS or LOP status, all path overhead processing for the channel is inhibited. The definition and associated storage or processing of each byte is detailed as follows.

Path Trace (J1). The path trace (J1) byte is the first POH byte of each unconcatenated STS-1 and carries a repeating message. Path trace messages are 64-bytes long (ASCII, <CR><LF> terminated) in SONET and 16 bytes long (E.164) in SDH systems. The POH processor supports extraction of one path trace message per STS-48. There are four path trace extraction message buffers. In STS-192 mode, there are four path trace extraction message buffers—one for each of the STS-48 streams contained within the STS-192.

The content of the message is either monitored for a mismatch from a provisioned expected message or monitored for a sustained change (validation) in the received message. If the message mode control bit is set to the provisioned mode, then the incoming message is compared against the software programmed expected message. The expected message is stored in internal memory for each STS-48 channel. A mismatch is declared if the received message differs from this expected message for ten consecutive messages. The mismatch clears when four out of five received messages match the expected message (fixed windowing is used for clearing). If the message mode control bit is set to the validated mode, the incoming message is monitored for a sustained change. A sustained change is detected when the received message differs from the last stable message for ten consecutive messages. The new message then becomes the stable message, is stored in internal memory, and the processor starts checking for a sustained change from this new stable message (i.e., there is no clearing criteria for a sustained change). The message mismatch state or the new (sustained) message state are reflected by maskable latched alarm bits in the STS-48 channel path alarms register.

For path trace processing, provisioning of the selected STS-1 within the STS-48, SDH, or SONET message type, and validated or provisioned message mode is done using the STS-48 channel path trace control register.

The expected messages for the four STS-48 channels are provisioned through the microprocessor interface using the path trace access control and 64-byte message buffer registers. This message buffer is also used to read the contents of the expected/stable or received messages from the internal message memories for all channels. The STS-48 channel and message type (expected/stable or received), and the access type (read/write) are specified using the path trace access control register. Once this register is configured, the actual access is triggered by writing a 0x0001 value to the path trace access start register. The transfer from internal memory to the message buffer is performed on the next message boundary. Completion of the access is indicated by the path trace access complete status register.

Internally, for each STS-48 channel, a memory is used to store the currently received path trace message as well as the stable or provisioned message. The operation of the memory is monitored using parity, and any errors are reported using the J1 parity error alarm bit.

Functional Description (continued)

Table 37. J1 Register Summary

Function	Register Name (First Occurrence)	Register Bits	Qty.	1st Addr (hex)	Page
Message Type Select	STS-48 Channel Path Trace Control (R/W)	TYPE_SEL	4	4406	161
Message Mode (Provisioned or Validated)	STS-48 Channel Path Trace Control (R/W)	MODE_SEL	4	4406	161
Message mismatch Latched Alarm	STS-48 Channel Path Alarms 1 (W1C)	J1_MSG_MMCH	4	4413	164
New Message Latched Alarm	STS-48 Channel Path Alarms 1 (W1C)	J1_NEW_MSG	4	4413	164
J1 Access Message Buffer	Path Trace Buffer Word #1—Word #32	J1_UP_BUFFER	32	4110	154
Message Buffer Access Control	Path Trace Access Control (R/W)	All Bits	1	4100	154
Message Buffer Access Start	Path Trace Access Start	J1_AXS_START	1	4102	154
Message Buffer Access Complete Flag	Path Trace Access Complete Status (W1C)	J1_AXS_DONE	1	4101	154
Buffer Parity Error Latched Alarm	STS-48 Channel Path Alarms 1 (W1C)	J1_BUF_PAR_ERR	4	4413	164

Path BIP-8 (B3). The path BIP-8 byte carries the even parity of the data in the previous STS SPE frame (783 bytes for STS-1, $M \times 783$ for STS-Mc). During every frame, the received B3 value is extracted and compared to the calculated BIP-8 for the previous frame. Detected errors are accumulated in an internal 16-bit counter based on either bit or block errors, as provisioned, per-channel. If bit error mode is enabled for the channel, each BIP-8 bit found to be in error causes the counter to increment. If block error mode is enabled for the channel, the counter only increments by one, regardless of the number of BIP-8 bits in error, provided that there are one or more bits in error. The control bit for counting bit or block errors is in the per STS-1 path overhead provisioning register. The value of the internal counter is transferred to the per STS-1 last second CV-P (path coding violation) count register on the positive edge of the PM clock input, at which point the counter is cleared. The counter will stop at the maximum value and will not roll over.

In addition to the CV-P counter, path BIP-8 errors are also tracked in a signal fail (SF) counter. Individual STS-1s have a 9-bit counter. Concatenated payloads have a 14-bit counter. This counter is used to detect SF defects for protection switching. An SF defect is detected when the error count reaches a selected threshold within a fixed window of time (typically representing a BER of 10^{-N} , where $N = 3$ to 5), where the error count is cleared at the end of the time window. The defect is then cleared when the error count within a full time window is less than a threshold, where both the window and threshold represent a BER that is 1/10th the detection BER.

The time windows and thresholds used are provisionable on a per-channel basis from eight pairs of common registers. Each pair of common registers represents the detection and clearing values for a particular payload type (i.e., STS-1, STS-3c, etc.) and BER threshold. Each register includes 2 bits to select one of four common-time windows and either 9 or 14 bits to select an error threshold. Two of the pairs of registers are reserved for STS-1 payloads and only support 9-bit thresholds, while the remaining six pairs support STS-Nc payloads. While a channel does not have an SF defect, the detection register of the pair defines the error threshold and time window.

When a channel detects an SF defect, it switches to the clearing register to define the error threshold and time window. The four common-time windows each support a 16-bit value that represents the time window in 0.5 ms units.

Functional Description (continued)

Note that the time windows are continually cycling. Thus, the clearing time window for an STS-1 that has declared SF does not necessarily start at the exact time that SF is declared. The same can be said for the detect time windows. Also, when a new value is programmed into a time window register, it does not take effect until the end of the current window.

Essentially, the eight pairs of threshold registers are intended to be used in groups of two, with each group representing two BER thresholds for a particular payload size. Thus, this facility supports separate working and protection channel SF defect BER thresholds for four payload sizes. This concept is demonstrated in Table 38, which shows the default powerup detection and clearing time windows and error limits for the common threshold registers, along with the payload sizes and BER thresholds they correspond to. Table 39 shows the default powerup values for the four common-time windows.

Detection of an SF defect for a channel is indicated by the SIG_FAIL bit in the appropriate STS-1 channel path alarms register and causes a code to be sent in the E1 and F1 overhead bytes for that channel on the drop interface. SD defect detection is not supported in hardware; however, a control bit is provided (SD_INSERT in the path overhead maintenance STS-1 register) for each channel to force an SD defect code to be sent in the E1 and F1 overhead bytes for that channel on the drop interface.

Table 38. BER Threshold Time Window and Error Limits for Path SF Detection

Payload Size ¹	Register Set	BER Threshold	Detection Window	Detection Error Limit	Clearing Window	Clearing Error Limit
STS-1	0	1×10^{-4}	1	207	2	275
	1	1×10^{-5}	2	222	3	277
STS-3c	2	1×10^{-4}	1	563	2	779
	3	1×10^{-5}	2	690	3	795
STS-6c	4	1×10^{-4}	1	931	2	1496
	5	1×10^{-5}	2	1374	3	1560
STS-12c	6	1×10^{-4}	1	1309	2	2824
	7	1×10^{-5}	2	2658	3	3068

1. Measurements for STS-48c and STS-192c are not realistic. Refer to SONET/SDH specifications for details.

Table 39. Time Window Sizes for Path SF Detection

Time Window	Length (in ms)	Register Value
0	5	10
1	50	100
2	500	1000
3	5000	10000

To set up an SF threshold, select one of the signal fail window size registers for the detect window and write the appropriate value to it. Select another signal fail window size register for the clear window (if different from the detect window) and write the appropriate value to it. Next, select a threshold register set (0—7) and write the detect threshold into the corresponding signal fail detect threshold register, using the two most significant bits of the register to choose the detect time window as chosen earlier. Then, write the clear threshold into the corresponding signal fail clear threshold register, using the two most significant bits to indicate the clear window as chosen earlier. Finally, for each STS-1 that is to use the new threshold, set the SF_THRESH_SEL bits in the path overhead maintenance STS-1 register to the number of the register set that has just been set up.

Functional Description (continued)

As soon as SF is declared, the counters immediately switch to the clearing window, so it is only at the end of the current running clear time window that path BIP-8 errors begin to be considered for the clearing of SF. This ensures that an entire clearing window is used for clearing SF.

Any STS-1 that does not belong to a concatenation has only a 9-bit counter. Thus, if a 14-bit clear threshold that is greater than 511 is used for such an STS-1, any SF defect is cleared at the end of the current clear time window, since the clear threshold can never be reached.

To disable SF detection, a window of the smallest possible size (0.5 ms) can be set up and used with a detect threshold of more than 32, since a maximum of 32 B3 errors can be detected in 0.5 ms.

Table 40. B3 Register Summary

Function	Register Name (First Occurrence)	Register Bits	Qty.	1st Addr (hex)	Page
Bit or Block Error Counting Control	STS-1 #1 Path Overhead Provisioning (R/W)	CNT_BLK_ERRS	192	3010	146
Last Second CV-P	STS-1 #1 Last Second CV-P Count (RO)	PM_STS1_CVP_CNT	192	3017	148
Signal Degrade E1/F1 Code Insertion Control	STS-1 #1 Path Overhead Maintenance (R/W)	SD_INSERT	192	3011	146
Signal Fail Register Set Selection Control	STS-1 #1 Path Overhead Maintenance (R/W)	SF_THRESH_SEL	192	3011	146
Signal Fail Detection Threshold and Window Select	STS-1 Signal Fail Detect Threshold, Window Size Select 0 (R/W)	SF_STS1_DET_THRESH_n	8	4002	150
Signal Fail Clear Threshold and Window Select	STS-1 Signal Fail Clear Threshold, Window Size Select 0 (R/W)	SF_STS1_CLR_THRESH_n	8	4003	150
Signal Fail Window Size Control	Signal Fail Window Size 0 (R/W)	SF_WIN_SIZE_0	4	4012	153
Signal Fail Latched Alarm	STS-1 #1 Alarm Interrupt Status (W1C)	SIG_FAIL	192	3013	147

Functional Description (continued)

Path Signal Label (C2). The path signal label byte is used to indicate either the type of payload carried in the STS SPE or the status of the payload. See Table 41 for label assignments.

Table 41. STS Path Signal Label Assignments

Code (Hex)	Content of the STS SPE	Code (Hex)	Content of the STS SPE
00	Unequipped	12	Asynchronous mapping for DS4NA
01	Equipped—nonspecific payload	13	Mapping for ATM
02	VT-structured STS-1 SPE	14	Mapping for DQDB
03	Locked VT mode	15	Asynchronous mapping for FDDI
04	Asynchronous mapping DS3	16	Mapping for HDLC-PPP (proposed)
E1	VT-structured STS-1 SPE with 1 VTx payload defect (STS-1 w/1 VTx PD)	EF	STS-1 with 15 VTx PDs
E2	STS-1 with 2 VTx PDs	F0	STS-1 with 16 VTx PDs
E3	STS-1 with 3 VTx PDs	F1	STS-1 with 17 VTx PDs
E4	STS-1 with 4 VTx PDs	F2	STS-1 with 18 VTx PDs
E5	STS-1 with 5 VTx PDs	F3	STS-1 with 19 VTx PDs
E6	STS-1 with 6 VTx PDs	F4	STS-1 with 20 VTx PDs
E7	STS-1 with 7 VTx PDs	F5	STS-1 with 21 VTx PDs
E8	STS-1 with 8 VTx PDs	F6	STS-1 with 22 VTx PDs
E9	STS-1 with 9 VTx PDs	F7	STS-1 with 23 VTx PDs
EA	STS-1 with 10 VTx PDs	F8	STS-1 with 24 VTx PDs
EB	STS-1 with 11 VTx PDs	F9	STS-1 with 25 VTx PDs
EC	STS-1 with 12 VTx PDs	FA	STS-1 with 26 VTx PDs
ED	STS-1 with 13 VTx PDs	FB	STS-1 with 27 VTx PDs
EE	STS-1 with 14 VTx PDs	FC	VT-structured STS-1 SPE with 28 VT1.5 payload defects, or a nonstructured STS-1 or STS-Nc SPE with a payload defect

Of the 256 possible values, only the codes 0x01 to 0x04 and 0x12 to 0x15 are currently defined to identify payload types, while the codes 0xE1 to 0xFC are defined to indicate payload defects (see Table 41). The valid payload specific codes are, by default, 0x02 to 0xE0, 0xFD, and 0xFE. The codes 0xE1 to 0xFC are used for indicating defects in the payload. The code 0xFF is a special reserved code due to its appearance in an STS AIS and is treated as a do not care during any defect detection or clearing.

The C2 byte is extracted each frame and can be accessed from the per STS-1 path C2, RDI status register. The extracted C2 byte is also validated for five consecutive frames. If the locally provisioned value, configured in the per STS-1 path overhead provisioning registers, is any equipped value (i.e., not 0x00), the validated signal label is processed for the following listed defects.

Functional Description (continued)

- **Payload Label Mismatch (PLM)**—Detected if the validated signal label is a valid payload-specific code and does not match the provisioned expected signal label code in the per STS-1 path overhead provisioning register. Cleared if the extracted signal label, validated for five consecutive frames, matches the locally provisioned value, the equipped nonspecific code (0x01), the unequipped code (0x00), or a valid PDI code. If the locally provisioned value is the equipped nonspecific code, then it matches any equipped code (including PDI). Detection of a PLM defect is indicated by a maskable latched alarm bit in the per STS-1 channel path alarms register. The PLM alarm is also followed by a persistency register bit in the per STS-1 path alarm persistency register. Detection of a PLM defect causes a PLM-specific code to be sent in the E1 and F1 overhead bytes for that STS-channel on the drop interface.
- **Path Unequipped (UNEQ)**—Detected if the validated signal label matches the unequipped code (0x00). Cleared if the extracted signal label does not match the unequipped code for five consecutive frames. Detection of an UNEQ defect is indicated by a maskable latched alarm bit in the per STS-1 channel path alarms register and by a PM status bit in the per STS-1 path overhead last second bin register. The UNEQ alarm is also represented by a persistency register bit in the per STS-1 path alarm persistency register. Detection of an UNEQ defect causes a UNEQ-specific code to be sent in the E1 and F1 overhead bytes for that STS-channel on the drop interface; see the STS-12 Overhead Insertion and Scrambling section on page 77.
- **Payload Defect Indication (PDI)**—Detected if the validated signal label matches a valid PDI code. Codes 0xE1 to 0xFC are valid if the locally provisioned payload is VT-structured (0x02 or 0x03) or equipped nonspecific (0x01). Only 0xFC is a valid PDI code for other payload types which are not VT-structured. Cleared if the extracted signal label does not match a valid PDI code for five consecutive frames. PDI detection can be disabled by a control bit in the per STS-1 path overhead provisioning register. Detection of a PDI defect causes the PDI code to be sent in the E1 and F1 overhead bytes for that STS-channel on the drop interface; see the STS-12 Overhead Insertion and Scrambling section on page 77.

The scenarios presented by different expected and received (validated) signal label codes are presented in Table 42.

Table 42. Path Signal Label (C2) Alarm Scenarios

All C2 Code Values are in Hex		Extracted C2 Byte (Validated Five Consecutive Frames)						
		00 [Unequipped]	01 [Equipped Nonsp]	02, 03 [VT-Structured]	04—E0, FD, FE	E1—FB [VT PDI]	FC [PDI]	FF [AIS]
Provisioned C2 Byte	00	No Alarms						
	01	UNEQ-P	MATCH	MATCH	MATCH	PDI-P ¹	PDI-P ¹	No Change
	02, 03	UNEQ-P	MATCH	MATCH ² / PLM-P ³	PLM-P	PDI-P ¹	PDI-P ¹	No Change
	04—E0, FD, FE	UNEQ-P	MATCH	PLM-P	MATCH ² / PLM-P ³	PLM-P ¹	PDI-P ¹	No Change
	E1—FB	Invalid Provisioning						
	FC							
	FF							

1. If PDI-P detection is provisioned.

2. If extracted, validated C2 code = provisioned C2 code.

3. If extracted, validated C2 code ≠ provisioned C2 code.

Functional Description (continued)

Table 43. C2 Register Summary

Function	Register Name (First Occurrence)	Register Bits	Qty.	1st Addr (hex)	Page
Extracted C2 Byte	STS-1 #1 Path Overhead Status (RO)	RCV_C2_BYTE	192	3012	147
Provisioned (Expected) C2 Value	STS-1 #1 Path Overhead Provisioning (R/W)	PROV_STS1_EXP_C2	192	3010	146
PLM Latched Alarm	STS-1 #1 Alarm Interrupt Status (W1C)	PLM_P	192	3013	147
PLM Persistency	STS-1 #1 Alarm Persistency (RO)	PLM_P_PERS	192	3015	148
UNEQ Latched Alarm	STS-1 #1 Alarm Interrupt Status (W1C)	UNEQ_P	192	3013	147
UNEQ Persistency	STS-1 #1 Alarm Persistency (RO)	UNEQ_P_PERS	192	3015	148
Last Second UNEQ PM	STS-1 #1 PM Last Second Indicators (RO)	UNEQ	192	3016	148
PDI Detection Disable	STS-1 #1 Path Overhead Provisioning (R/W)	PDI_EN	192	3010	146

Path Status (G1). The path status byte is used to convey the path termination status and performance back to the originating STS PTE. This allows the performance of the full-duplex path to be monitored from any single point along the path. Bits 1 to 4 are used as a remote error indication (formerly far-end block error, or FEBE), while bits 5—7 are used as a remote defect indication. The G1 byte is extracted from each frame and processed for the following functions:

- Remote error indication (REI-P). Indicates the count of bit errors detected at the far-end STS PTE using the path BIP-8. The error count is a binary number from 0 to 8 (values above eight are invalid and are interpreted as zero) and is accumulated in an internal 16-bit counter based on either bit or block errors as provisioned per channel through the microprocessor interface. If bit error mode is enabled for the channel, the counter is incremented by the actual error count. If block error mode is enabled for the channel the counter is only incremented by one, when the error count is between 1 and 8, regardless of the actual value. The control bit for counting bit or block errors is in the per STS-1 path overhead provisioning register. The value in the counter accumulates until it is transferred to the per STS-1 last second REI-P count registers at the positive edge of the PM_CLK input, at which point the counter is cleared. The counter will stop at the maximum value and will not roll over.
- Remote defect indication (RDI-P). Indicates the detection of a defect at the far-end STS PTE. Initially, RDI-P was defined as a 1-bit value in bit 5, but has since been expanded to a 3-bit enhanced value (ERDI-P). Table 44 on page 76 shows the valid codes and interpretation for both the 1-bit and enhanced RDI schemes. As can be seen, bits 6 and 7 are always set to opposite values for ERDI while they are set to the same value for 1-bit RDI. The POH uses this fact to determine which RDI scheme is being used on a per STS basis. An RDI-P defect is then detected if a valid defect code for one of the RDI schemes is received for ten consecutive frames. The RDI-P defect is cleared when the no defects code for that scheme is received for ten consecutive frames. Any validated RDI-P defect is indicated by a maskable latched alarm bit in the per STS-1 channel path alarms register. Any validated 3-bit RDI code extracted is stored in the per STS-1 path C2, RDI status register. The RDI alarm is also followed by a persistency register bit in the per STS-1 path alarm persistency register. In addition, there are 4 PM status bits to report decoded RDI in the per STS-1 path overhead last second bin register, which are updated at the positive edge of the PM_CLK input.

Functional Description (continued)

Table 44. RDI-P Codes and Interpretation

G1[5:7]	Priority of Enhanced RDI-P Codes	Trigger	Interpretation
0xx ¹	Not Applicable	No Defects	No RDI-P Defect
1xx ¹	Not Applicable	AIS-P, LOP-P	1-bit RDI-P Defect
001 ²	4	No Defects	No ERDI-P Defects
010 ²	3	PLM-P, LCD-P	ERDI-P Payload Defect
101 ²	1	AIS-P, LOP-P	ERDI-P Server Defect
110 ²	2	UNEQ-P, TIM-P	ERDI-P Connectivity Defect

1. These codes are transmitted by STS PTE that do not support enhanced RDI-P. If enhanced RDI-P is not supported, G1 bits 6 and 7 must be set to the same value, and should be set to 00.
2. These codes are transmitted by STS PTE that support enhanced RDI-P.

Table 45. G1 Register Summary

Function	Register Name (First Occurrence)	Register Bits	Qty.	1st Addr (hex)	Page
Bit/Block Error Counting Selection	STS-1 #1 Path Overhead Provisioning (R/W)	CNT_BLK_ERRS	192	3010	146
Last Second REI-P Count	STS-1 #1 Last Second REI-P Count (RO)	PM_STS1_REIP_CNT	192	3018	148
RDI-P Latched Alarm	STS-1 #1 Alarm Interrupt Status (W1C)	RDI_P	192	3013	147
Validated 3-bit RDI-P Code	STS-1 #1 Path Overhead Status (RO)	RCV_RDI_CODE	192	3012	147
RDI-P Persistency	STS-1 #1 Alarm Persistency (RO)	RDI_P_PERS	192	3015	148
Last Second RDI-P PM	STS-1 #1 PM Last Second Indicators (RO)	RDI_ONE_BIT ERDI_PYLD ERDI_CONN ERDI_SRVR	192	3016	148

Receive Payload Drop Interface

This block is replicated four times. Each block accepts four STS-12 data streams from the path processor and converts them to four 1-bit wide STS-12 serial streams at 622 MHz. The data is formatted as an STS-12 signal; however, most of the transport overhead bytes are either unused or are used for proprietary purposes.

Framing, BIP-8 parity, and alarm status are inserted into the TOH bytes of each STS-12, and then the data is optionally scrambled.

Each STS-12 data stream is output as a 1-bit wide 622 MHz serial stream. The four 1-bit wide serial STS-12 data streams are output along with a single 1-bit wide control output that carries timing information for all four of the data outputs.

Functional Description (continued)

STS-12 Overhead Insertion and Scrambling

The payload drop interface uses several of the TOH bytes to pass information to the payload device. All unused bytes have all zeros inserted in them. After the overhead bytes are inserted, all bytes in the STS-12, except the framing bytes, are scrambled with the SONET standard $1 + x^6 + x^7$ algorithm, unless scrambling is disabled (for all STS-12 links) through the scrambling disable bit in the receive drop STS-48 channel *n* provisioning register. The bytes used, and their functions, are described as follows:

- A1 and A2 positions: carry normal STS-12 framing.
- J0 position: inserted in the first STS-1 of each STS-12 only, and carries an 8-bit provisionable ID value for the STS-12. This value is specified in the J0 trace—STS-12 channel *n* register.
- B1 position: inserted in the first STS-1 of each STS-12 only, and carries a BIP-8 calculated for all of the bits in the previous frame. As per the section BIP definition in GR-253, the BIP-8 is calculated on the scrambled data and then inserted in B1 for the next frame, before the byte is scrambled. Errors can be inserted in the B1 bytes of all STS-12 links through the BIP-8 error insertion bit in the receive drop STS-48 channel *n* provisioning register.
- E1 and F1 positions: inserted in each STS-1 and carry path level alarms for that STS channel. Both bytes carry the same 6-bit value, which encodes the path alarm information, as shown in Table 46.

Table 46. Path Alarm Information Encoding

E1/F1 Value	Definition
00111111	Loss of pointer or path AIS.
11111111	Concatenation mismatch or software AIS insertion.
00111110	Unequipped signal label.
00111101	Signal fail (SF).
00111100— 00100001	PDI code 28 to PDI code 1.
00011111	Signal degrade (SD).
00011110	Payload label mismatch.
00000000	No alarms.

- D1, D2, and D3 positions: inserted in the first STS-1 of each STS-12 only and carry a 192 kHz data channel that is sourced by the RDDCCn (1 to 16) input, and is clocked on the positive edge of RDDCKn (1 to 4).
- K1 and K2 positions: inserted in both the first and second STS-1 of each STS-12. The first STS-1 carries the validated K bytes, while the second STS-1 carries the raw K bytes for the STS-48 or STS-192 that contained the STS-1 channel. The K bytes are extracted in the receive TOH processing block. See the APS Channel (K1 and K2) section on page 58.
- E2 position: inserted in the first STS-1 of each STS-12 only, and carries line level alarms for the STS-48 or STS-192 that contained the STS-12 channel. The bit assignments for the E2 byte are shown in Table 47 on page 78.

Functional Description (continued)

Table 47. Line Alarm Information Encoding

E2 Value	Definition
00111	Loss of Signal
00110	Loss of Frame
00101	Line AIS
00100	Signal Fail (SF)
00011	Signal Degrade (SD)
00000000	No Alarms

Table 48. Drop Interface Overhead and Scrambling Register Summary

Function	Register Name (First Occurrence)	Register Bits	Qty.	1st Addr (hex)	Page
Scrambling Disable Control	Receive Drop STS-48 Channel Provisioning Register 1 (R/W)	SCRM_DISABLE	4	2400	137
Section Trace (J0) ID Value	J0 Trace—STS-12 Channel 1 (R/W)	J0_BYTE_n	16	2401	137
B1 Error Insertion	Receive Drop STS-48 Channel Provisioning Register 1 (R/W)	B1_ERROR_INS	4	2400	137

Drop Interface Output Format

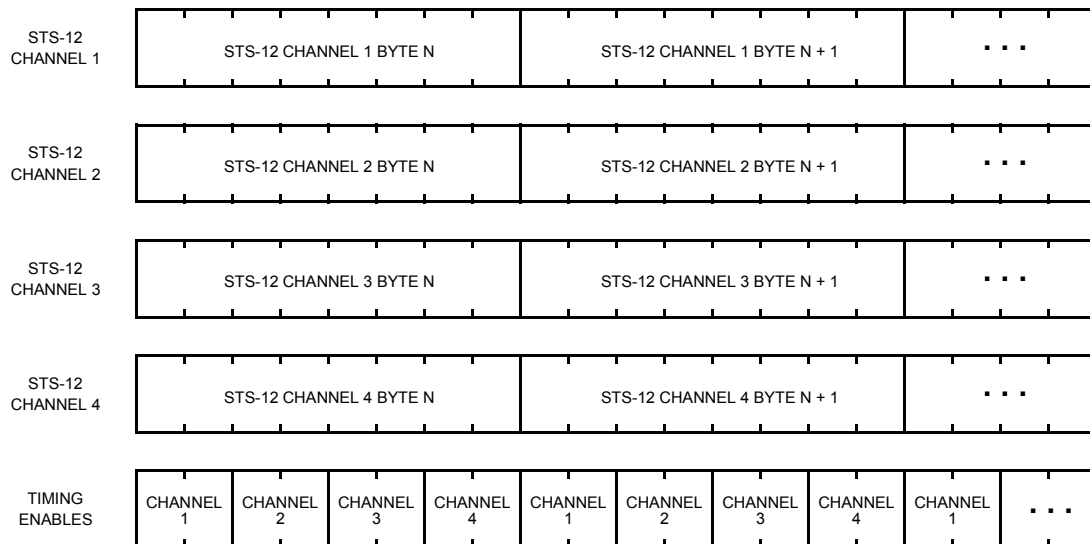
Drop Data and Drop Clock. Each STS-12 data stream is output as a 1-bit wide 622 MHz serial stream. The 622 MHz clock is internally generated with a PLL whose reference is the 77.76 MHz D_CLK input (or the R_CLKn that corresponds to the STS-48 in which the STS-12 belongs, if drop alignment is bypassed).

DCTL Outputs. In addition to the four STS-12 data streams, a 1-bit wide control signal (DCTL_[1—4]) that supplies timing enables for the data streams is output. These timing enables are encoded using a 2-bit vector for each byte of each STS-12. Thus, there is one byte of timing control for each byte of data from the four STS-12 streams. This byte of timing control is then scrambled using the standard $1 + x^6 + x^7$ algorithm, passed to a high-speed multiplexer module, and output at 622 MHz synchronized to the STS-12 data as shown in Figure 8 on page 79. The encoding of the timing enable bits is shown in Table 49 on page 79.

The DCTL_[1—4] outputs may be used by other devices that terminate the SPE path, such as external data engines. By using the DCTL codes, the SPE can be extracted from the output data without the need for another pointer interpreter inside the path terminator. The path overhead and payload can be separated as well. These outputs may be left unconnected if not used.

DFRM. The frame alignment is determined by the DFRM input, which is synchronous to the D_CLK input, and is determined from the rising edge of the DFRM if it remains high for at least four D_CLK edges. Therefore, DFRM can be an 8 kHz clock or frame pulse meeting the minimum requirement of being high for four D_CLK edges. The beginning of the first A1 byte on each of the STS-12 outputs occurs approximately nine D_CLK cycles after the rising edge of DFRM.

Functional Description (continued)



5-8407(F)r.1

Figure 8. STS-12 Data Outputs and Timing

Table 49. Timing Enable Bit Definitions

Timing Enable Bits	Definition
00	TOH bytes
01	SPE bytes
10	POH bytes
11	J1 byte

All control bytes follow this format, except the A1, A2, and B1 bytes in the section overhead. The A1 and A2 bytes carry the standard nonscrambled STS framing, while the B1 byte carries a BIP-8 calculated for all bytes in the previous frame after scrambling. If any STS-1 channel has AIS inserted in it by the path processor, the timing enables for that channel will always indicate a nominal SPE (i.e., no stuffs) with POH in column 4 and no J1 byte.

Data Path Parity

The receive payload drop interface terminates the internal data path including 1 bit of parity that is added to every byte of STS-48/STS-192 data through the device. This parity bit is compared to the calculated parity of the data path, and parity errors are reported in the corresponding bit in the receive drop STS-48 channel nonservice-affecting alarm register.

Table 50. Receive Data Path Parity Register Summary

Function	Register Name (First Occurrence)	Register Bits	Qty.	1st Addr (hex)	Page
Data Path Parity Latched Alarm	Receive Drop STS-48 Channel Nonservice-Affecting Alarm (W1C)	RX_DATA_PAR_ERR_n	4	2405	138

Functional Description (continued)

Regenerator Loopback (STS-192 Mode Only)

This feature is software provisioned to set up a regenerator loopback mode that loops back receive data and overhead towards the transmit line interface. When this feature is enabled, the transmit clock is derived from the receive clock at the 622 MHz level external to the device. The add interface buffers align the data between the receive and transmit clock domains. The TFRM signal is replaced by receive frame timing using the new add interface self sync option to transfer from the receive to the transmit clock domains.

The option is enabled in software by setting the appropriate bit, REGEN_LOOPBACK, in the LTE transmit channel 1—4 provisioning (R/W) registers (0x1C00, 0x1D00, 0x1E00, and 0x1F00, respectively). The appropriate bit definitions are shown in Table 52. This mode will only function correctly when the device is in STS-192 mode. It will not work in STS-48 mode, since the four STS-48 streams need to be aligned through the transmit side. Four received STS-48 streams are unlikely to be aligned to the same clock and frame alignment.

The REGEN loopback control from channel 1 will enable this mode for all four STS-48 channels when in STS-192 mode. The appropriate per-STS-48 transmit line AIS insert control will be active during receive LOS, receive LOF, or R_CLK failure while in regenerator loopback.

Table 51. LTE Transmit Channel Registers—Regenerator Loopback Summary

Function	Register Name	Register Bits	Qty.	1st Addr (hex)	Page
Regenerator Loopback Enable	LTE Transmit Channel 1 Provisioning (R/W)	REGEN_LOOPBACK	4	1C00	130

Table 52. Regenerator Loopback Bit Definitions

Bit 8	Definition
0	Powerup default.
1	Regenerator loopback—drop data looped back to add side.

Transmit Payload Add Interface

This block is replicated four times. Each block accepts four 1-bit wide STS-12 serial streams at 622 MHz and converts them to STS-48 data. This conversion is performed in three stages.

In the first stage, each STS-12 has framing recovered, is optionally descrambled, and has certain TOH bytes processed.

In the second stage, each STS-12 is passed through a buffer to synchronize the data to the common transmit clock and frame.

Finally, in the third stage, the four STS-12 data streams are multiplexed into a single STS-48 data stream. This multiplexing is performed by a time-slot multiplex (TSM) module that reorders the bytes in the STS-12 data streams to provide a correctly ordered STS-48 data stream.

Functional Description (continued)

STS-12 Framing, Descrambling, and TOH Processing

As the transmit TOH processor overwrites all of the TOH bytes in all STS channels, the payload add interface uses several of these TOH bytes to receive information from the payload device. The bytes used, and their functions, are described as follows:

- A1 and A2 positions: carry normal STS-12 framing. The payload add interface recovers framing for each of the STS-12 data streams and uses it to frame and byte align the STS-12 data word. In addition to byte alignment, the frame timing is also used to descramble all bytes in each STS-12, except the framing, using the SONET standard $1 + x^6 + x^7$ algorithm (unless descrambling is disabled for all STS-12 links, through the transmit add STS-48 channel provisioning register). Once in-frame, an out-of-frame (OOF) defect is detected when two consecutive errored framing sequences are received. The detection of an OOF defect is indicated by a latched alarm status bit in the transmit add STS-48 channel n alarm register, and causes AIS to be inserted in all affected STS-1 channels.
- J0 position: present in the first STS-1 of each STS-12 only, and carries an 8-bit ID value for the STS-12. This value is extracted and stored in the J0 status register.
- B1 position: present in the first STS-1 of each STS-12 only, and carries a BIP-8 calculated for all bits in the previous frame. As per the section BIP definition in GR-253, the BIP-8 is calculated on the scrambled data, and then compared to the B1 in the next frame after the byte is descrambled. Any errors detected will cause the BIP-8 error latched alarm status bit to be set in the transmit add STS-48 channel alarm register. Detection of BIP errors is inhibited while the STS-12 is OOF, and for one frame following reframe.
- E1 and F1 positions: present in each STS-1 and carry path AIS insertion control for that STS channel. Both bytes carry the same value which encodes the path AIS insertion control as shown in Table 53. An AIS insertion request in either byte will cause AIS to be inserted in that channel and will set a read-only status bit in the AIS insert status register.

Table 53. Path AIS Insertion Encoding

E1/F1 Value	Definition
00111111	Path AIS Insertion
00000000	No Alarms

- D1, D2, and D3 positions: present in the first STS-1 of each STS-12 only, and carries a 192 kHz data channel that is serialized, and then output, on the TDDCC n (1 to 16) pin on the positive edge of TADCK. While the STS-12 is OOF, an HDLC abort (0x7F) is continually sent.
- K1 and K2 positions: present in both the first and second STS-1 of each STS-12. The first STS-1 carries validated K bytes, while the second STS-1 carries raw K bytes that can be optionally inserted in the TOH bytes of the STS-48 or STS-192, that contain that STS-12 channel as their first STS-12 of data. While the STS-12 is OOF, the K1 values inserted in the TOH bytes are inverted in each frame to cause a downstream APS failure, while the K2 values are held.
- E2 position: the transmit add interface does not process the E2 byte.

Functional Description (continued)

Table 54. Add Interface Overhead and Scrambling Register Summary

Function	Register Name (First Occurrence)	Register Bits	Qty.	1st Addr (hex)	Page
Descrambling Disable	Transmit Add STS-48 Channel Provisioning (R/W)	DESCRM_DISABLE	4	2C00	139
OOF Latched Alarm	Transmit Add STS-48 Channel Alarm (W1C)	OOF_1	4	2C09	142
Section Trace (J0) ID Value	J0 Status Register—1 (RO)	J0_BYTE—STS-12 Channel 1	16	2C01	139
B1 Error Latched Alarm	Transmit Add STS-48 Channel Alarm (W1C)	B1_ERROR_1	4	2C09	142
E1/F1 AIS Insertion Status	AIS Insert Status Register, STS-12 Channel #1 (RO)	AIS_INSERT_n	16	2C05	140
K1K2 Insertion Into Line TOH Control	LTE Transmit Channel 1 Maintenance (R/W)	TX_K_BYTES_SELECT_1	4	1C01	131

Transmit Synchronization Buffer

Each STS-12 data stream recovers its own clock and possesses a slightly different frame phase. The purpose of this buffer is to synchronize the STS-12 data to the common transmit clock and frame phase. Note, however, that it is only intended to compensate for a phase offset between the STS-12 data stream and the transmit timing. It will not compensate for a frequency offset. Any frequency offset will eventually cause a buffer overflow/underflow, which is indicated by a latched status bit in the transmit add STS-48 channel alarm register.

The buffer is also only intended to compensate for 75 ns of delay skew between the STS-12 data stream and the transmit frame phase. Any additional phase offset, which must be common to all STS-12 data streams, can be compensated using the transmit frame offset feature described in Add Interface Framing (A1 and A2).

Since the detection of a buffer overflow/underflow is asynchronous in nature, the transmit add STS-48 channel provisioning register contains a force add buffer overflow bit which allows testing of the add buffer overflow alarm bit.

Table 55. Transmit Synchronization Buffer Register Summary

Function	Register Name (First Occurrence)	Register Bits	Qty.	1st Addr (hex)	Page
Force Add Buffer Overflow Control	Transmit Add STS-48 Channel Provisioning (R/W)	FRC_ADD_BUFFER_OVRFLW	4	2C00	139
Buffer Overflow Latched Alarm	Transmit Add STS-48 Channel Alarm (W1C)	ADD_12_BUFFER_OVRFLW_1	4	2C09	142

Add Interface Framing (A1 and A2)

The STS framing bytes are present in all STS-1 time slots of the STS-48 or STS-192. When normal framing is selected, the A1 bytes are set to 0xF6, while the A2 bytes are set to 0x28. If enhanced framing is selected, using the framing mode control bit, the A1 and A2 bytes contain normal framing in odd STS-1 time slots and the inverse value in even STS-1 time slots. The add interface framer is a simplified SONET/SDH framer. It frames based on both the A1/A2 boundary and the repetitive nature of the boundary (that the A1/A2 boundary recurs every 810×12 bytes).

Functional Description (continued)

TFRM Framing Signal. The alignment of the generated frame is determined by the TFRM input signal and the value stored in the Tx frame offset register. The TFRM input provides a common frame reference for all add STS-12 data streams. The TFRM input is an 8 kHz signal and is sampled with the 622.08 MHz T_CLK. The frame position is at the rising edge of the TFRM signal when it has been low for at least 32 T_CLK clock periods and then stays high for at least 32 more (i.e., a 0000 1111 pattern). This transition should be present at approximately the average position of the start of the first A1 byte in all of the add interface STS-12 serial inputs.

If the TFRM is not aligned to the input data, the frame position can be delayed by the value in the Tx frame offset register, specified in multiples of 12.86 ns (eight 622.08 MHz clock cycles), which produces the transmit frame timing reference. A value of zero specifies no delay and the maximum value for this register is 9719. This range is equivalent to advancing the frame timing reference over an entire STS-12 period. This offset is required to align the transmit frame position with the frame position of the add STS-12 data streams as described in the Transmit Synchronization Buffer section on page 82.

If the TFRM rising edge should jitter with respect to the 622.08 MHz T_CLK, jitter on the TFRM input can be compensated for up to ± 16 T_CLK cycles from the starting position without affecting the generated frame position. This compensation is enabled with the TX_FRM_DEJITTER_EN bit in the LTE transmit provisioning register. If the TFRM input drifts more than ± 16 T_CLK cycles from its starting position, the transmit frame position is realigned to the next TFRM frame position (plus any offset added in the offset register), and a TX_FRM_RESYNC alarm is produced.

If the TFRM frame signal is not received at least once every eight frames (i.e., 1 kHz), TFRM synchronization loss is indicated in the TFRM LOF alarm bit. During TFRM synchronization loss, AIS-P is inserted as described in the STS Payload Pointer (H1 and H2) section on page 88. While frame synchronization, once established, could be continued by counting clock cycles, the requirement for the TFRM signal to be provided at least once every eight frames provides an important check on system function. The TFRM input is a required signal for the transmit side of the TSOT0410G4. Recovery of TFRM frame sync is described in the Synchronization Status (S1) section on page 91.

Add Interface Self-Sync Option. The TFRM input can be obtained from the add interface through a self-sync option to provide a common frame reference for all add STS-12 data streams as an alternate to the TFRM input. The transmit add synchronization enable option provides for the use of the frame timing from one of the add pseudo STS-12 links as the transmit frame sync instead of TFRM. This option provides the frame sync from the add clock domain to the T_CLK clock domain. The option is enabled with the ADD_TX_SYNC (bit 15) in the LTE transmit common provisioning register. When the self-sync option is enabled, the frame is sampled and then the add interface free-runs until either the feature is disabled and reenabled, or when the ADD12 (out of frame on used link) or T_CLK failure alarm is set and clears. Therefore, when changing the ADD12 link, the feature should be disabled and then reenabled after the channel is changed.

The add interface self-sync feature automatically resynchronizes when a buffer overflow/underflow is detected. This resyncing is inhibited if the selected ADD12 is out-of-frame. The resync function is implemented by resampling the selected ADD12 frame timing and using that to realign the buffer write pointer. The only limit to the resync property is that it only resamples the frame timing once after an overflow/underflow and there is no guarantee that the buffer is centered; i.e., if the clock drift continues after the overflow/underflow.

When the ADD_TX_SYNC bit in the LTE transmit common provisioning is set to 1, the frame pulse will be derived from the add interface input. Bit 0 through bit 3 in the LTE transmit common provisioning register then select which add channel (1—16) the TFRM will be obtained from. Bits 4—14 are unused in that case. See Table 128 on page 128.

The preferred method of provisioning the add interface self-sync option is to provision the ADD_TX_SYNC register with the selected channel first, and then in the next write, provision the ADD_TX_SYNC enable.

Note: The add-sync option should be disabled before the regenerator loopback option is enabled. Enabling regenerator loopback before the add sync option can cause transmit timing to corrupt overhead bytes.

Functional Description (continued)

Table 56. Frame Pulse Provisioning Bit Definitions

Bit 15 ADD_TX_SYNC	Bit 14 TX_FRM_DEJITTER_EN	Definition
0	0	Reset default.
1	0	Transmit add synchronization enabled.
0	1	TFRM dejitter circuit enable.

Table 57. Transmit Framing Register Summary

Function	Register Name (First Occurrence)	Register Bits	Qty.	1st Addr (hex)	Page
Enhanced Framing Mode Control	LTE Transmit Channel 1 Provisioning (R/W)	TX_FRAMING_MODE_1	4	1C00	130
Transmit Frame Offset Control	LTE Transmit—Frame Pulse Offset Count (R/W)	LTE_TX_FRM_OFFSET_COUNT	1	1B00	128
Transmit Frame Dejitte Control	LTE Transmit—Frame Pulse Offset Count (R/W)	TX_FRM_DEJITTER_EN	1	1B00	128
Transmit Frame Resyn- chronization Latched Alarm	LTE Transmit—Interrupt Alarm Register (W1C)	TX_FRM_RESYNC	1	1B05	129
TFRM Synchronization Loss Latched Alarm	LTE Transmit—Interrupt Alarm Register (W1C)	TX_FRM_LOF	1	1B05	129
Transmit Add Synchronization Enable	LTE Transmit—Frame Pulse Offset Count	ADD_TX_SYNC	1	1B00	128

4:1 Time-Slot Multiplex (TSM)

In order to multiplex the four STS-12 data streams into a valid STS-48 data stream, the bytes in the STS-12 data streams must be reordered. This reordering is needed due to the STS-N multiplexing rules, which require an STS-12 channel to be interleaved in 4-byte chunks.

Transmit Transport Overhead (TOH) Processor

This block is replicated four times. Each block accepts the data for one STS-48 channel from the transmit payload add interface, and inserts the transport section and line overhead. The inserted overhead is either sourced internally, or provided externally on serial inputs. If sourced internally, the overhead may be from registers in the micro-processor interface, or derived.

In STS-48 mode, each channel carries complete transport overhead. In STS-192 mode, only the first STS-48 channel carries complete transport overhead, while the other channels only carry framing (A1, A2), Z0, and line BIP-8. In addition, the line overhead bytes can all be overwritten with all ones (along with all of the payload SPE bytes) by enabling line AIS insertion in the memory map.

Functional Description (continued)

TOH Transparency

The TOH transparency option provides a passthrough capability for the TOH on the line interface to/from the TOH on the equipment interface. When this feature is enabled, both the transmit and receive sections will be provisioned to the same mode (i.e., the function cannot be set up differently in transmit and receive directions).

The transmit direction has the option for full TOH transparency or just line overhead (MSOH) transparency with section (RSOH) overhead insertion. The receive direction has the option for full TOH transparency or just line overhead transparency with section overhead used for the normal proprietary drop I/F OH.

This feature is available on a per STS-48 level by setting the TOH transparency enabled bit and the line TOH transparency only enabled bit of the LTE transmit channel provisioning register. When TOH transparency is appropriately provisioned, the pointer processor will be bypassed on a per STS-48 level. If enabled, AIS insertion due to an E1/F1 code in the add TOH will be disabled. Enforcing AIS-L from the transmit side does operate even using full transparency.

During full or line transparency, the only access to the OH bytes is through the TOHDAT interface. The microprocessor-based features that would modify the line or section overhead will not be available. If overhead bytes are inserted using the TOHDAT interface, a valid B1 must be inserted for full transparency and/or B2 for full or line transparency.

The option is enabled in software by setting the appropriate bits, TOH_TRANS_EN and LINE_TRANS_ONLY_EN, in the LTE transmit channel 1—4 provisioning registers (0x1C00, 0x1D00, 0x1E00, and 0x1F00, respectively). The appropriate bit definitions are shown in Table 58. TOH transparency feature is always supported on individual STS-48 channels and will require all four channels to be provisioned in STS-192 mode.

Table 58. LTE Transmit Channel Registers—TOH Transparency Summary

Function	Register Name (First Occurrence)	Register Bits	Qty.	1st Addr (hex)	Page
TOH Transparency Enabled	LTE Transmit Channel 1 Provisioning (R/W)	TOH_TRANS_EN	4	1C00	130
Line TOH Transparency Only Enabled	LTE Transmit Channel 1 Provisioning (R/W)	LINE_TRANS_ONLY_EN	4	1C00	130

Table 59. TOH Transparency Bit Definitions

Bit 7 LINE_TRANS_ONLY_EN	Bit 6 TOH_TRANS_EN	Definition
X	0	Section and Line Terminated (pointer processor state dependent on DRPBYP pin).
0	1	Full Section and Line Overhead Transparency (pointer processor is bypassed automatically).
1	1	Line Overhead Transparency Section Is Terminated (pointer processor is bypassed).

Note: X denotes either state.

Functional Description (continued)

Transmit Overhead Serial Links

In addition to the individual provisioning or external availability of the overhead bytes, the full set of transport overhead bytes for the STS-48 channel (1296 bytes) can be sourced serially using the TOHDAT_n_[1:0] pins. Insertion must be globally enabled in software, using the TOH data insert control bit, and then enabled on a per-byte basis by strobing the TOHEN_n pin high during the LSB of the byte to insert (the state of the TOHEN_n is ignored during the other bits). The bytes are received MSB first, with each pair of bits input on the positive edge of TOH_CLK_n (41.472 MHz). The location of the MSB bit of the first A1 byte is identified by the TOHFP_n output going high. For B1 and B2, the value received is actually used as an XOR corruption mask for the internally calculated values.

In STS-48 mode, the TOHDAT_n_[1:0] pins, along with the TOHEN_n pin, capture the transport overhead for that STS-48 channel. In STS-192 mode, the four pairs of TOHDAT_n_[1:0] pins, along with their respective TOHEN pins, capture the entire STS-192 overhead (5184 bytes), where the TOHDAT_1 pins capture STS channels 1 through 48, and the TOHDAT_2, TOHDAT_3, and TOHDAT_4 pins capture STS channels 49 through 96, 97 through 144, and 145 through 192, respectively. The timing for this is described in the Transmit Overhead Serial Link section on page 180.

Internally, a memory is used for each channel to buffer the data and transfer it between the external data rate and the internal data rate. The operation of the memory is monitored using parity and any errors are reported using the TOHDAT parity error alarm bit. This alarm bit is present in the LTE transmit channel *n* interrupt alarm register and is valid regardless of the mode (STS-48 or STS-192) in which the device is operating.

When enabled, the overhead serial link takes precedence over all other overhead sources, with the exception of software enabled line or path AIS insertion or path unequipped insertion.

Table 60. Transmit Overhead Serial Links Register Summary

Function	Register Name (First Occurrence)	Register Bits	Qty.	1st Addr (hex)	Page
Global TOH Data Insert Control	LTE Transmit Channel 1 Provisioning (R/W)	TX_TOH_DATA_INSERT_1	4	1C00	130
TOH Buffer Parity Error	LTE Transmit Channel 1 Interrupt Alarm (W1C)	TX_OH_MEM_PARITY_ERR_1	4	1C0C	133

Section Trace/Section Growth (J0/Z0)

The section trace byte is present in the first STS-1 of the STS-48 or STS-192 only. The TOH processor supports insertion of either SONET 64-byte (ASCII, <CR><LF> terminated) or SDH 16-byte (E.164) section trace messages. The message is stored in internal memory and should be repeated four times if a 16-byte SDH message is to be sent. The message is provisioned by software using the section trace access registers (see the Section Trace (J0) section on page 53 for details). After the message is provisioned, insertion of the message must be enabled through the J0 Msg insert control bit. If insertion is not enabled, the J0 byte is instead sent as 0x01 for STS-48 mode or 0xCC for STS-192 mode.

The section growth bytes present in the remaining STS-1 locations of the STS-48 or STS-192 are set to the fixed pattern 0xCC in STS-192 mode, or to an increasing binary count (2 to 48, corresponding to order of appearance) in STS-48 mode.

Internally, a memory is used to store four section trace messages, one for each channel. The operation of the memory is monitored using parity, and any errors are reported using the transmit J0 parity error alarm bit that is reported in the LTE transmit interrupt alarm register.

Functional Description (continued)

Table 61. Transmit Section Trace (J0) Register Summary

Function	Register Name (First Occurrence)	Register Bits	Qty.	1st Addr (hex)	Page
Section Trace Message Insert Enable Control	LTE Transmit Channel 1 Maintenance (R/W)	TX_J0_MSG_INSERT_EN_1	4	1C01	131
J0 Memory Parity Error	LTE Transmit—Interrupt Alarm Register (W1C)	TX_J0_MEM_PARITY_ERR	1	1B05	129

Section BIP-8 (B1)

The section BIP-8 byte is located in the first STS-1 of the STS-48 or STS-192 only, and carries the even parity of the scrambled data in the previous STS-192 frame. In every frame, the calculated BIP-8 for the previous frame is inserted in the B1 byte of the current frame prior to scrambling. The B1 value can be fully corrupted (by inverting all bits) on a per-channel basis, using the B1 corrupt enable control bit. The duration of the corruption is defined in frames per second, up to a maximum of 8000 frames between rising edges of PM_CLK. The B1 corrupt frame count register specifies this duration and is shared between the four channels.

Table 62. Transmit B1 Register Summary

Function	Register Name (First Occurrence)	Register Bits	Qty.	1st Addr (hex)	Page
B1 Corrupt Enable	LTE Transmit Channel 1 Provisioning (R/W)	B1_CORRUPT_EN_1	4	1C00	130
B1 Corrupt Duration Control	LTE Transmit—B1 Corrupt Frame Count (R/W)	LTE_TX_B1_NUM_CORRUPT_ FRAMES	1	1B01	128

Local Orderwire (E1)

The local orderwire byte is located in the first STS-1 of the STS-48 or STS-192 only, and provides a 64 kHz channel for voice communications between regenerators, hubs, and remote terminals. The byte is input MSB first, on the TLCLOW_n pin, and is inserted in each frame. The data is clocked in on the positive edge of TOW_CLK_n.

The TOWCKn clock is divided down from the section data communications channel clock, TSDCKn (192 kHz/3), giving a frequency of 64 kHz and a duty cycle of 33%.

In STS-48 mode, each of the four TLCLOW pins input the E1 byte for that channel. In STS-192 mode, only the TLCLOW_1 pin inputs the E1 byte, while the other pins are unused.

Section User Channel (F1)

The section user channel byte is located in the first STS-1 of the STS-48 or STS-192 only, and provides a 64 kHz channel for use by the network provider. The byte is input serially, MSB first, on the TSUSERn pin, and is inserted each frame. The data is clocked in on the positive edge of TOW_CLK_n.

In STS-48 mode, each of the four TSUSER pins input the F1 byte for that channel. In STS-192 mode, only the TSUSER_1 pin inputs the F1 byte, while the other pins are unused.

Functional Description (continued)

Section Data Communications Channel (D1, D2, and D3)

The section data communications channel bytes are located in the first STS-1 of the STS-48 or STS-192 only, and are used as one 192 kHz message-based channel for operations, administration, and maintenance communication. The bytes are input serially, MSB first, on the TSDCC_n pin, and are inserted in each frame. The data is clocked in on the positive edge of TSD_CLK_n.

The TSD_CLK_n clock is divided down from the line data communications channel clock, TLD_CLK_n (576 kHz/3), giving a frequency of 192 kHz and a duty cycle of 33%.

In STS-48 mode, each of the four TSDCC pins input the section data communication channel bytes for that channel. In STS-192 mode, only the TSDCC_1 pin inputs these bytes, while the other pins are unused.

STS Payload Pointer (H1 and H2)

The STS payload pointer bytes are normally set to the values received at the transmit payload add interface. These values are overwritten under the following conditions (in order of precedence from highest to lowest):

- Line AIS: enabled using the AIS-L insert control bit.
- Unequipped signal insertion: enabled on a per STS-1 channel basis using the UNEQ-P insert enable registers; overwrites the pointer bytes (H1, H2) for that channel with 0x60 0x00 or 0x68 0x00, based on SS_MODE (see the SS Bits section below) and the SPE bytes with all zeros.
- Software AIS insertion: enabled on a per STS-1 channel basis using the path AIS insert enable registers; overwrites the pointer bytes for that channel with 0xFF 0xFF (H1 H2) and the SPE bytes with all ones.
- TFRM loss of frame sync: overwrites the pointer bytes in all STS-1 channels with 0xFF 0xFF (H1 H2) and all SPE bytes with all ones (AIS-P).
- TOHDAT insertion: enabled on a per STS-48 channel basis using the TOH data insert control bit; overwrites the pointer bytes with the data serially received on the TOHDAT_n_[1:0] pins if the TOHEN_n pin is high for H1 and H2.

The pointer bytes are also automatically overwritten with all ones in the transmit payload add interface under the following conditions:

- In all STS channels of an STS-12 due to an OOF on that STS-12 data input.
- For the affected STS channel due to a path AIS insert request received for that STS in the STS-12 overhead.

SS Bits. The SS bits in the STS payload pointer (H1 and H2) are provisioned using SS_MODE (bit 9) and TX_SS_OVERWRITE_EN (bit 10) in each LTE Tx channel provisioning register. The SS bit mode is set to 0 for SONET (00) or 1 for SDH (10) and defines the value of the SS bits for unequipped signal insertion. The SS bits mode also defines the value of the SS bits that are inserted in all of the outgoing H1 bytes for that OC-48 channel if the Tx SS bit overwrite feature is enabled. The SS bits are passed through untouched if the transmit SS bit overwrite feature is not enabled. The overwrite feature is disabled during AIS (line and path) insertion when TOHDAT insertion is enabled for that H1 byte or when the incoming H1 byte is 0xFF.

Functional Description (continued)

Table 63. Transmit STS Payload Pointer Register Summary

Function	Register Name (First Occurrence)	Register Bits	Qty.	1st Addr (hex)	Page
AIS-L Insert Control	LTE Transmit Channel 1 Maintenance (R/W)	TX_LINE_AIS_INSERT_1	4	1C01	131
UNEQ-P Insert Control	LTE Transmit Channel 1 Path Unequipped (UNEQ-P) Insert Enable #1 (R/W)	LTE_TX_1_UNEQ_P_EN_1	16	1C02	131
Software AIS-P Insert Control	LTE Transmit Channel 1 Path AIS (AIS-P) Insert Enable #1 (R/W)	LTE_TX_1_PATH_AIS_EN_1	16	1C06	132
TOH Data Insert Control	LTE Transmit Channel 1 Provisioning (R/W)	TX_TOH_DATA_INSERT_1	4	1C00	130
Transmit SS Bit Overwrite Enable Control	LTE Transmit Channel 1 Provisioning (R/W)	TX_SS_OVERWRITE_EN	4	1C00	130
SS Bit Mode for Unequipped Signal Insertion Control	LTE Transmit Channel 1 Provisioning (R/W)	SS_MODE	4	1C00	130

Line BIP-8 (B2)

The line BIP-8 is located in each STS-1 of the STS-48 or STS-192, and carries the even parity for the line overhead and SPE data in the previous STS-1 frame. Since the B2 byte is calculated for each STS-1, independent of the other STS-1s, the device mode (STS-48 or STS-192) does not affect the operation of this block. The B2 values in all STS-1s in an STS-48 channel can be fully corrupted (by inverting all bits) on a per-STS-48 basis using the B2 corrupt enable control bit. The duration of the corruption is defined in frames per second, up to a maximum of 8000 frames between rising edges of PM_CLK. The B2 corrupt frame count register specifies this duration and is shared between the four channels.

Table 64. Transmit B2 Register Summary

Function	Register Name (First Occurrence)	Register Bits	Qty.	1st Addr (hex)	Page
B2 Corrupt Enable	LTE Transmit Channel 1 Provisioning (R/W)	B2_CORRUPT_EN_1	4	1C00	130
B2 Corrupt Duration Control	LTE Transmit—B2 Cor- rupt Frame Count (R/W)	LTE_TX_B2_NUM_CORRUPT _FRAMES	1	1B02	128

Functional Description (continued)

APS Channel (K1 and K2)

The APS channel bytes are located in the first STS-1 of the STS-48 or STS-192 only, and are used for automatic protection switching (APS) signaling to coordinate line level protection switching. In addition, the K2 byte is also used to carry line AIS and line RDI signals. Both bytes are inserted during each frame, normally using either values stored in the K byte register, or using the raw or validated values received at the transmit payload add interface. The K byte select bits in the LTE transmit channel *n* maintenance register determine which source to use. This is outlined in Table 65.

In addition, the value of bits 6—8 in K2 can optionally be automatically overwritten by 110 (RDI-L) when AIS-L, LOS, SEF, or LOF (SEF and LOF only if AIS insertion is enabled) are detected for the receive STS-48 or STS-192. This insertion is controlled by the RDI-L select bit in the LTE transmit channel *n* maintenance register. When RDI-L is triggered, it will be inserted for a minimum of 20 consecutive frames, regardless of the length of the receive defect.

Table 65. K Byte Select Control Bits

K Byte Select Value (Binary)	Source for K1K2 Insertion
00	LTE transmit channel 1 K1K2 byte insert values register.
01	Raw K1K2 byte from the transmit payload add interface.
10	Validated K1K2 byte from the transmit payload add interface.
11	Invalid. Do not program this value.

Table 66. Transmit APS Channel (K1K2) Register Summary

Function	Register Name (First Occurrence)	Register Bits	Qty.	1st Addr (hex)	Page
K1K2 Source Control	LTE Transmit Channel 1 Maintenance (R/W)	TX_K_BYTES_SELECT_1	4	1C01	131
K1K2 Software Insert Value	LTE Transmit Channel 1 K1K2 Byte Insert Values (R/W)	TX_K1_SW_BYTE_1 TX_K2_SW_BYTE_1	4	1C0A	132
RDI-L Insert Control	LTE Transmit Channel 1 Maintenance (R/W)	RDI_L_SELECT_1	4	1C01	131

Line Data Communication Channel (D4—D12)

The line data communications channel bytes are located in the first STS-1 of the STS-48 or STS-192 only, and are used as one 576 kHz message-based channel for operations, administration, and maintenance communication (OA&M). The bytes are input serially, MSB first, on the TLDCCN pin, and are inserted in each frame. The data is clocked in on the positive edge of TLDCKn.

The TLDCKn clock is divided down from the internal data clock (77.76 MHz/135), giving a frequency of 576 kHz and a duty cycle of roughly 50%.

In STS-48 mode, each of the four TLDCCN pins input the line data communication channel bytes for that channel. In STS-192 mode, only the TLDCCN1 pin is used to input these bytes, while the other pins are not used.

Functional Description (continued)

Synchronization Status (S1)

The synchronization status byte is located in the first STS-1 of the STS-48 or STS-192 only, and is used to convey the synchronization status of a network element. The byte is inserted in each frame using either a value provisioned in the S1 byte control register, or from a value received on the TFRM signal. The S1 byte insert control bit determines which of these two sources to use.

The data on TFRM is clocked in on the positive edge of T_CLK, MSB first, as a repeating 77.76 MHz Manchester encoded 16-bit code that is interrupted once per frame by the frame sync pattern 00001111 (at 77.76 MHz). If the frame sync pattern is not received at least every eight frames (i.e., 1 kHz), a TFRM sync loss is indicated in the TFRM LOF alarm bit and the value 0x0F is used for S1 if insertion is enabled. During TFRM sync loss, AIS-P is inserted as described in the STS Payload Pointer (H1 and H2) section on page 88. The 8-bit (16 bits of Manchester) value received is then validated three times before being optionally inserted into the transport overhead as the S1 byte. This validated value is reflected in the TFRM S1 byte status register and if a value is not validated over the course of the frame, the TFRM S1 byte invalid alarm bit is set. This alarm bit, along with the TFRM LOF alarm bit, is found in the LTE transmit interrupt alarm register.

Table 67. Transmit Synchronization Status (S1) Register Summary

Function	Register Name (First Occurrence)	Register Bits	Qty.	1st Addr (hex)	Page
S1 Source Control	LTE Transmit Channel 1 Maintenance (R/W)	S1_BYTE_TX_FRM_INSERT_1	4	1C01	131
Provisioned S1 Byte	LTE Transmit Channel 1 S1 Byte Insert Value (R/W)	LTE_TX_1_S1_DATA_1	4	1C0B	132
TFRM S1 Validated Value	LTE Transmit—TFRM S1 Byte (RO)	LTE_TX_S1_BYTE_TX_FRM	1	1B04	129
TFRM S1 Byte Invalid Latched Alarm	LTE Transmit—Interrupt Alarm Register (W1C)	TX_FRM_S1_BYTE_INVALID	1	1B05	129

STS-192 Line Remote Error Indication (M1)

The line remote error indication (REI-L) byte is located in the third STS-1 of the STS-48 or STS-192 only (in order of appearance in the STS-192 signal), and is used to convey to the far end the number of errors detected in the receive direction using the line BIP-8 bytes. The byte is inserted each frame with a binary value indicating the number of line BIP-8 errors (truncated at 255) detected in the previous receive frame for the entire STS-48 or STS-192. The value of the byte can be fully corrupted (by setting all bits) on a per-channel basis using the M1 corrupt enable control bit. The duration of the corruption is defined in frames per second, up to a maximum of 8000 frames between rising edges of PM_CLK. The M1 corrupt frame count register specifies this duration and is shared between the four channels.

Table 68. Transmit M1 Register Summary

Function	Register Name (First Occurrence)	Register Bits	Qty.	1st Addr (hex)	Page
M1 Corrupt Enable	LTE Transmit Channel 1 Provisioning (R/W)	M1_CORRUPT_EN_1	4	1C00	130
M1 Corrupt Duration Control	LTE Transmit—M1 Corrupt Frame Count (R/W)	LTE_TX_M1_NUM_CORRUPT_FRAMES	1	1B03	129

Functional Description (continued)

Express Orderwire (E2)

The express orderwire byte is located in the first STS-1 of the STS-48 or STS-192 only, and provides a 64 kHz channel for voice communications between line entities. The byte is input serially, MSB first, on the TEXPOW_n pin and is inserted in each frame. The data is clocked in on the positive edge of TOW_CLK_n.

In STS-48 mode, each of the four TEXPOW pins input the E2 byte for that channel. In STS-192 mode, only the TEXPOW₁ pin captures the E2 byte, while the other pins are unused.

Transmit STS-192 Line Interface

This block is hardware configured to accept four STS-48 streams and convert them to either a single 16-bit wide serial STS-192 stream at 622.08 MHz or four 4-bit wide serial STS-48 streams at 622.08 MHz. The conversion process is essentially the same for both output formats, except that for STS-192 mode, the four STS-48 channels must be passed through a time-slot multiplex (TSM) block first to multiplex them into a STS-192 data stream. The resulting STS-192, or each of the STS-48 streams, is then optionally scrambled, has section BIP-8 calculated for it, and is multiplexed up to a 622 MHz signal.

Time-Slot Multiplexer (TSM)

In STS-192 mode, the bytes in the four STS-48 channels need to be combined and reordered to create an STS-192 data stream. This is performed by the time-slot multiplexer (TSM).

Table 20 on page 51 shows the input ordering to the TSM and Table 19 on page 51 shows the output ordering of the TSM.

Scrambler

The data stream is normally scrambled using the standard generator polynomial $1 + x^6 + x^7$. The scrambling can be disabled by the corresponding transmit scrambler disable bit of the LTE transmit channel *n* provisioning register.

Table 69. Transmit Line Scrambler Register Summary

Function	Register Name (First Occurrence)	Register Bits	Qty.	1st Addr (hex)	Page
Scrambler Disable Control	LTE Transmit Channel 1 Provisioning (R/W)	SCRM_DIS_1	4	1C00	130

Data Path Parity

The transmit line interface terminates the internal data path, including one bit of parity that is added for every byte of STS-48/STS-192 data through the device. This parity bit is compared to the calculated parity of the data path and parity errors are reported using the corresponding bit in the LTE transmit channel *n* interrupt alarm register.

Table 70. Transmit Data Path Parity Register Summary

Function	Register Name (First Occurrence)	Register Bits	Qty.	1st Addr (hex)	Page
Data Path Parity Error Latched Alarm	LTE Transmit Channel 1 Interrupt Alarm (W1C)	TX_DATA_PAR_ERR_1	4	1C0C	133

Microprocessor Interface

Architecture

The TSOT0410G4 microprocessor interface architecture is configured for glueless interface to two specific microprocessors, the *Motorola*® MPC860 and MC68360; however, other processors may also be utilized. Bus transfers using the MC68360 are asynchronous, while the MPC860 transfers are synchronous to the processor clock.

There is a difference in definition of MSB and LSB of data, address, and parity pins between the TSOT0410G4 and some microprocessors, such as the *Motorola* MPC860. For example, the TSOT0410G4 provides Parity_1 and Parity_0. Parity_1 is the odd parity for the data bus MSB, and parity_0 is the odd parity for the data bus LSB. The MPC860 DP0 calculates across the data bus MSB, and DP1 across the data bus LSB.

The microprocessor interface operates at the frequency of the microprocessor clock (PCLK) input in synchronous mode. The state of the MPMODE input signal determines whether bus transfers are synchronous or asynchronous with respect to PCLK.

The TSOT0410G4 has separate 16-bit wide address and data buses. The microprocessor interface generates an external processor bus error if an internal data acknowledgement is not received in a predetermined period of time or on parity errors.

Persistency alarm registers are used in conjunction with interrupt alarm registers to indicate whether alarms are persistent.

Transfer Error Acknowledge (TEA_N)

The TSOT0410G4 contains a bus time-out counter. When this counter saturates, a bus error is generated to the external processor through the transfer error acknowledge (TEA_N) signal. This feature must be considered with respect to the external processor's ability to generate its own internal bus time-out. TEA_N will be asserted if an internal data acknowledgement is not received within 32 PCLK periods of the start of the access. This interval is used since all valid internal accesses to the device will be completed in significantly less than 32 PCLK periods.

TEA_N is also asserted if the calculated parity value does not match the parity generated by the external microprocessor on a data transfer.

Interrupt Structure

The interrupt structure of the TSOT0410G4 is designed to minimize the effort for software/firmware to isolate the interrupt source. The interrupt structure is comprised of different registers depending on the consolidation level. At the lowest level (source level) there are two registers. The first is an alarm register (AR). An alarm register is typically of the write 1 clear (W1C) type. The second is an interrupt mask (IM) register of the read/write (RW) type.

An alarm register latches a raw status alarm. This latched alarm may contribute to an interrupt if its corresponding interrupt mask bit is disabled. Individual latched alarms are consolidated into an interrupt status register (ISR). If any of the latched alarms that are consolidated into a bit of an ISR are set and unmasked, the ISR bit is set. The ISR bit may contribute to an interrupt if its corresponding interrupt mask bit is disabled. ISRs may be consolidated into higher-level ISR in a similar fashion until all alarms are consolidated into the chip-level ISR. The alarm register that causes an interrupt can be determined by traversing the tree of ISRs, starting at the chip-level ISR, until the source alarm is found.

The interrupt requests can be selectively disabled on a per-function (per-bit) basis. The interrupt mask register serves this function. A bit position set to 1 indicates that the status flag in the corresponding bit position will not contribute to the generation of an interrupt when it is set (status itself is not affected by the interrupt mask). All interrupts are disabled on RST_N assertion.

Microprocessor Interface (continued)

Parity Bits

There are two parity bits associated with the microprocessor interface. They are only active when the microprocessor interface is in synchronous mode (MPMODE = 1). PARITY_1 is the odd parity bit for the most significant 8 bits of the data bus (DATA_15 through DATA_8), and PARITY_0 is the odd parity bit for the least significant 8 bits of the data bus (DATA_7 through DATA_0).

The parity bits may be ignored when the interface is operating in synchronous mode (MPMODE = 1); however, TEA_N must then be ignored on a write cycle. A TEA_N will never be asserted on a synchronous read cycle since the interface is presenting the parity on the output pins for the microprocessor interface to check. The parity bit pins may be left unconnected if not used.

The parity bits are not used by the microprocessor interface when in asynchronous mode (MPMODE = 0), and can be unconnected.

Clock Domains

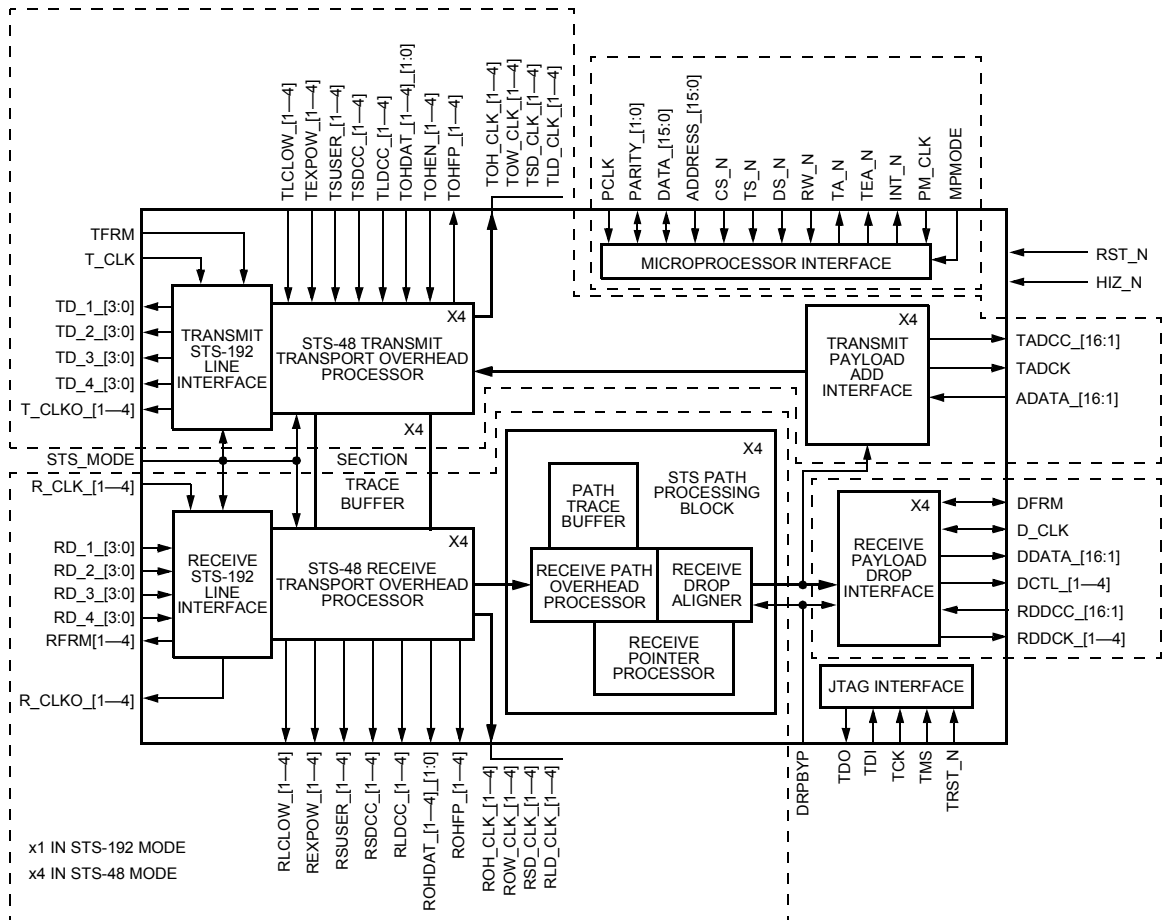
There are seven primary clock domains in the TSOT0410G4. Each has a separate clock source, related to the function of the domain. The microprocessor interface is a distinct clock domain and PCLK is its input clock. It contains the device-level registers. The clock domains are shown in Figure 9 on page 95.

In the event that any domain loses its primary clock source, the microprocessor interface will not be able to access registers related to those regions until the clock is restored. The domain's clock is necessary internally to transfer data between that region of the device and the microprocessor interface.

The receive line interface contains four clock domains, each clocked by R_CLK_[1—4], although they are all clocked by R_CLK_1 in STS-192 mode. The receive payload drop interface is a separate clock domain and is clocked by D_CLK. The separation between the receive domains is the receive drop aligner block. The transmit side of the device is an entire clock domain, with T_CLK as its input clock.

The TSOT0410G device monitors RX_CLK_n, TX_CLK, and DRP_CLK to effectively detect loss of R_CLK_n, T_CLK, and D_CLK. Each clock is monitored by the same logic. P_CLK is divided by eight to produce a test signal that is less than 1/8th the clocks being monitored. This test signal is sampled using each of the monitored clocks, and then the sample is XORed with the test signal to generate a difference signal. This difference signal is then sampled by P_CLK at the end of each half cycle of the test clock. If the monitored clock is still active, the difference signal should be low by the end of the half cycle and the fail flag will stay low. If the monitored clock fails, the difference signal will be high during one of the half cycles of test signal, causing the fail alarm to strobe high. The status of RX_CLK_n, TX_CLK, and DRP_CLK are monitored using the clock loss alarm/PM clock detection register, address 0x7 (see Table 79 on page 113).

Microprocessor Interface (continued)



5-7982(F).b

Note: See text for description of the timing domains.

Figure 9. TSOT0410G4 Timing Domains

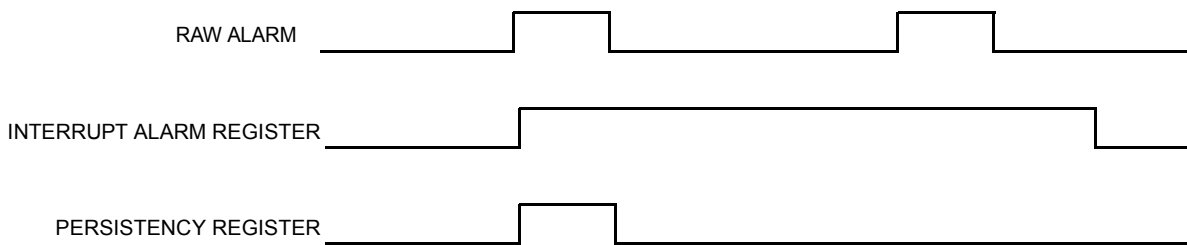
Microprocessor Interface (continued)

Persistency Registers

An alarm is persistent if it has been asserted continuously (i.e., the alarm has not been negated from the time it was asserted to the time it was read by software). An alarm is not persistent if it is negated one or more times from the point at which it was asserted to the point at which it was read by software.

The persistency register monitors the state of an alarm point, and indicates to software whether the alarm is persistent. The following timing diagram indicates the operation of the persistency register relative to the raw status alarm, and its corresponding interrupt alarm register. It also describes the software interaction with respect to its attempt to clear the alarm, and its interpretation.

At the rising edge of the raw alarm point, the corresponding interrupt alarm and persistency alarm register are set. The falling edge of the raw alarm causes the persistency alarm register to be reset (cleared). Any subsequent assertion of the raw alarm does not cause the persistency alarm register to be asserted. It remains reset until the interrupt alarm register is cleared (after the raw alarm is negated, and the interrupt alarm register is cleared). Once the interrupt alarm register is cleared, its corresponding persistency alarm register reset is released. The persistency register is now able to be set on the next assertion of the raw alarm point.



5-8408(F)

Figure 10. Persistency Register Operation

Register Description

A summary of the available register addresses is provided in Table 71, beginning on page 97. Where two reset values exist, the first refers to STS-48 mode and the second refers to STS-192 mode.

Software Reset

The software reset (writing 0xEAEA to register 0xFF) resets most registers of the TSOT, with the exception of the device level registers: addresses 0x0 through 0x8. This is by design, since there is a design constraint in resetting the register that causes the reset. If necessary after a software reset, reconfigure 0x0 through 0x8. These registers do return to default values after a hardware reset.

Note: The PLLs are not reset by a software reset. Although unlikely, should the need to reset the PLLs arise, a hardware reset should be asserted (RST_N).

Microprocessor Interface (continued)

Table 71. Register Summary

Address (Hex)	Name	Bits	Reset
0	Chip Level Interrupt Status Register	7:0	0x0
1	Chip Level Interrupt Status Mask Register	7:0	0x0
2	Chip ID Register	15:0	0x1515
3	Chip Vintage Register	15:0	0x1
4	Scratch Pad Register	15:0	0x0
5	Chip Level Maintenance Register	0:0	0x0
6	Chip Status Register	2:0	—
7	Clock Loss Alarm Register	6:0	0x0
8	Clock Loss Alarm Mask Register	6:0	0x0
9—FE	Not Used	—	—
FF	Software Chip Reset Register	15:0	0x0
100—FFF	Not Used	—	—
1000	LTE Interrupt Status Register	13:0	0x0
1001	LTE Interrupt Status Mask Register	13:0	0x0
1100	Section Trace (J0) Access Maintenance Register	4:0	0x0
1101	J0 Access Done Register	0	0x0
1102	J0 Access Message Start	0	0x0
1110	J0 Access Message Buffer, Word 1	15:0	0x0
1111	J0 Access Message Buffer, Word 2	15:0	0x0
1112	J0 Access Message Buffer, Word 3	15:0	0x0
1113	J0 Access Message Buffer, Word 4	15:0	0x0
1114	J0 Access Message Buffer, Word 5	15:0	0x0
1115	J0 Access Message Buffer, Word 6	15:0	0x0
1116	J0 Access Message Buffer, Word 7	15:0	0x0
1117	J0 Access Message Buffer, Word 8	15:0	0x0
1118	J0 Access Message Buffer, Word 9	15:0	0x0
1119	J0 Access Message Buffer, Word 10	15:0	0x0
111A	J0 Access Message Buffer, Word 11	15:0	0x0
111B	J0 Access Message Buffer, Word 12	15:0	0x0
111C	J0 Access Message Buffer, Word 13	15:0	0x0
111D	J0 Access Message Buffer, Word 14	15:0	0x0
111E	J0 Access Message Buffer, Word 15	15:0	0x0
111F	J0 Access Message Buffer, Word 16	15:0	0x0
1120	J0 Access Message Buffer, Word 17	15:0	0x0
1121	J0 Access Message Buffer, Word 18	15:0	0x0
1122	J0 Access Message Buffer, Word 19	15:0	0x0
1123	J0 Access Message Buffer, Word 20	15:0	0x0
1124	J0 Access Message Buffer, Word 21	15:0	0x0
1125	J0 Access Message Buffer, Word 22	15:0	0x0
1126	J0 Access Message Buffer, Word 23	15:0	0x0
1127	J0 Access Message Buffer, Word 24	15:0	0x0

Microprocessor Interface (continued)

Table 71. Register Summary (continued)

Address (Hex)	Name	Bits	Reset
1128	J0 Access Message Buffer, Word 25	15:0	0x0
1129	J0 Access Message Buffer, Word 26	15:0	0x0
112A	J0 Access Message Buffer, Word 27	15:0	0x0
112B	J0 Access Message Buffer, Word 28	15:0	0x0
112C	J0 Access Message Buffer, Word 29	15:0	0x0
112D	J0 Access Message Buffer, Word 30	15:0	0x0
112E	J0 Access Message Buffer, Word 31	15:0	0x0
112F	J0 Access Message Buffer, Word 32	15:0	0x0
1130— 12FF	Not Used	—	—
1300	Line Signal Degrade/Signal Fail Bit Error Rate Detection Time (1×10^{-3})	15:0	0x8/0x8
1301	Line Signal Degrade/Signal Fail Bit Error Rate Detection Time (1×10^{-4})	15:0	0x8/0x8
1302	Line Signal Degrade/Signal Fail Bit Error Rate Detection Time (1×10^{-5})	15:0	0x8/0x8
1303	Line Signal Degrade/Signal Fail Bit Error Rate Detection Time (1×10^{-6})	15:0	0x3E/0xD
1304	Line Signal Degrade/Signal Fail Bit Error Rate Detection Time (1×10^{-7})	15:0	0x271/0x82
1305	Line Signal Degrade/Signal Fail Bit Error Rate Detection Time (1×10^{-8})	15:0	0x1450/ 0x514
1306	Line Signal Degrade/Signal Fail Bit Error Rate Detection Time (1×10^{-9})	15:0	0x8015/ 0x2904
1307	Line Signal Degrade/Signal Fail Bit Error Rate Detection Time (1×10^{-10})	15:0	0x80AA/ 0x8029
1308— 1309	Not Used	—	—
1310	Line Signal Degrade/Signal Fail Detect Error Limit (1×10^{-3})	15:0	0x12D2/ 0x4BFD
1311	Line Signal Degrade/Signal Fail Detect Error Limit (1×10^{-4})	15:0	0x35E/ 0xDD7
1312	Line Signal Degrade/Signal Fail Detect Error Limit (1×10^{-5})	15:0	0x51/0x166
1313	Line Signal Degrade/Signal Fail Detect Error Limit (1×10^{-6})	15:0	0x3E/0x33
1314	Line Signal Degrade/Signal Fail Detect Error Limit (1×10^{-7})	15:0	0x3E/0x33
1315	Line Signal Degrade/Signal Fail Detect Error Limit (1×10^{-8})	15:0	0x33/0x33
1316	Line Signal Degrade/Signal Fail Detect Error Limit (1×10^{-9})	15:0	0x28/0x28
1317— 1319	Not Used	—	—
1320	Line Signal Degrade/Signal Fail Clear Error Limit (1×10^{-4})	15:0	0x3BD/ 0xE96
1321	Line Signal Degrade/Signal Fail Clear Error Limit (1×10^{-5})	15:0	0x72/0x1A7
1322	Line Signal Degrade/Signal Fail Clear Error Limit (1×10^{-6})	15:0	0x5B/0x4D
1323	Line Signal Degrade/Signal Fail Clear Error Limit (1×10^{-7})	15:0	0x5B/0x4D
1324	Line Signal Degrade/Signal Fail Clear Error Limit (1×10^{-8})	15:0	0x4D/0x4D
1325	Line Signal Degrade/Signal Fail Clear Error Limit (1×10^{-9})	15:0	0x3F/0x3F
1326	Line Signal Degrade/Signal Fail Clear Error Limit (1×10^{-10})	15:0	0x34/0x33

Microprocessor Interface (continued)

Table 71. Register Summary (continued)

Address (Hex)	Name	Bits	Reset
1327— 13FF	Not Used	—	—
1400	LTE Receive Channel 1 Provisioning Register	6:0	0x2
1401	LTE Receive Channel 1 Maintenance Register	6:0	0x20
1402	LTE Receive Channel 1 Loss of Signal (LOS) Threshold	9:0	0x86
1403	LTE Receive Channel 1 K Byte Status Register	15:0	0x0
1404	LTE Receive Channel 1 S1 Byte Status Register	7:0	0x0
1405	LTE Receive Channel 1 Service-Affecting Interrupt Alarm Register	4:0	0x0
1406	LTE Receive Channel 1 Service-Affecting Interrupt Alarm Mask Register	4:0	0x0
1407	LTE Receive Channel 1 Service-Affecting Persistency Alarm Register	2:0	0x0
1408	LTE Receive Channel 1 Nonservice-Affecting Interrupt Alarm Register	10:0	0x0
1409	LTE Receive Channel 1 Nonservice-Affecting Interrupt Alarm Mask Register	10:0	0x0
140A	LTE Receive Channel 1 NSA Persistency Alarm Register	5:0	0x0
140B	LTE Receive Channel 1 Performance Monitoring Register	4:0	0x0
140C	LTE Receive Channel 1 REI-L Performance Monitoring Register (L)	15:0	0x0
140D	LTE Receive Channel 1 REI-L Performance Monitoring Register (U)	4:0	0x0
140E	LTE Receive Channel 1 CV-L Performance Monitoring Register (L)	15:0	0x0
140F	LTE Receive Channel 1 CV-L Performance Monitoring Register (U)	7:0	0x0
1410	LTE Receive Channel 1 CV-S Performance Monitoring Register	15:0	0x0
1411— 14FF	Not Used	—	—
1500	LTE Receive Channel 2 Provisioning Register	6:0	0x2
1501	LTE Receive Channel 2 Maintenance Register	6:0	0x20
1502	LTE Receive Channel 2 Loss of Signal (LOS) Threshold	9:0	0x86
1503	LTE Receive Channel 2 K Byte Status Register	15:0	0x0
1504	LTE Receive Channel 2 S1 Byte Status Register	7:0	0x0
1505	LTE Receive Channel 2 Service-Affecting Interrupt Alarm Register	4:0	0x0
1506	LTE Receive Channel 2 Service-Affecting Interrupt Alarm Mask Register	4:0	0x0
1507	LTE Receive Channel 2 Service-Affecting Persistency Alarm Register	2:0	0x0
1508	LTE Receive Channel 2 Nonservice-Affecting Interrupt Alarm Register	10:0	0x0
1509	LTE Receive Channel 2 Nonservice-Affecting Interrupt Alarm Mask Register	10:0	0x0
150A	LTE Receive Channel 2 NSA Persistency Alarm Register	5:0	0x0
150B	LTE Receive Channel 2 Performance Monitoring Register	4:0	0x0
150C	LTE Receive Channel 2 REI-L Performance Monitoring Register (L)	15:0	0x0
150D	LTE Receive Channel 2 REI-L Performance Monitoring Register (U)	4:0	0x0
150E	LTE Receive Channel 2 CV-L Performance Monitoring Register (L)	15:0	0x0
150F	LTE Receive Channel 2 CV-L Performance Monitoring Register (U)	7:0	0x0
1510	LTE Receive Channel 2 CV-S Performance Monitoring Register	15:0	0x0
1511— 15FF	Not Used	—	—
1600	LTE Receive Channel 3 Provisioning Register	6:0	0x2

Microprocessor Interface (continued)

Table 71. Register Summary (continued)

Address (Hex)	Name	Bits	Reset
1601	LTE Receive Channel 3 Maintenance Register	6:0	0x20
1602	LTE Receive Channel 3 Loss of Signal (LOS) Threshold	9:0	0x86
1603	LTE Receive Channel 3 K Byte Status Register	15:0	0x0
1604	LTE Receive Channel 3 S1 Byte Status Register	7:0	0x0
1605	LTE Receive Channel 3 Service-Affecting Interrupt Alarm Register	4:0	0x0
1606	LTE Receive Channel 3 Service-Affecting Interrupt Alarm Mask Register	4:0	0x0
1607	LTE Receive Channel 3 Service-Affecting Persistency Alarm Register	2:0	0x0
1608	LTE Receive Channel 3 Nonservice-Affecting Interrupt Alarm Register	10:0	0x0
1609	LTE Receive Channel 3 Nonservice-Affecting Interrupt Alarm Mask Register	10:0	0x0
160A	LTE Receive Channel 3 NSA Persistency Alarm Register	5:0	0x0
160B	LTE Receive Channel 3 Performance Monitoring Register	4:0	0x0
160C	LTE Receive Channel 3 REI-L Performance Monitoring Register (L)	15:0	0x0
160D	LTE Receive Channel 3 REI-L Performance Monitoring Register (U)	4:0	0x0
160E	LTE Receive Channel 3 CV-L Performance Monitoring Register (L)	15:0	0x0
160F	LTE Receive Channel 3 CV-L Performance Monitoring Register (U)	7:0	0x0
1610	LTE Receive Channel 3 CV-S Performance Monitoring Register	15:0	0x0
1611— 16FF	Not Used	—	—
1700	LTE Receive Channel 4 Provisioning Register	6:0	0x2
1701	LTE Receive Channel 4 Maintenance Register	6:0	0x20
1702	LTE Receive Channel 4 Loss of Signal (LOS) Threshold	9:0	0x86
1703	LTE Receive Channel 4 K Byte Status Register	15:0	0x0
1704	LTE Receive Channel 4 S1 Byte Status Register	7:0	0x0
1705	LTE Receive Channel 4 Service-Affecting Interrupt Alarm Register	4:0	0x0
1706	LTE Receive Channel 4 Service-Affecting Interrupt Alarm Mask Register	4:0	0x0
1707	LTE Receive Channel 4 Service-Affecting Persistency Alarm Register	2:0	0x0
1708	LTE Receive Channel 4 Nonservice-Affecting Interrupt Alarm Register	10:0	0x0
1709	LTE Receive Channel 4 Nonservice-Affecting Interrupt Alarm Mask Register	10:0	0x0
170A	LTE Receive Channel 4 NSA Persistency Alarm Register	5:0	0x0
170B	LTE Receive Channel 4 Performance Monitoring Register	4:0	0x0
170C	LTE Receive Channel 4 REI-L Performance Monitoring Register (L)	15:0	0x0
170D	LTE Receive Channel 4 REI-L Performance Monitoring Register (U)	4:0	0x0
170E	LTE Receive Channel 4 CV-L Performance Monitoring Register (L)	15:0	0x0
170F	LTE Receive Channel 4 CV-L Performance Monitoring Register (U)	7:0	0x0
1710	LTE Receive Channel 4 CV-S Performance Monitoring Register	15:0	0x0
1711— 1AFF	Not Used	—	—
1B00	LTE Transmit—Frame Pulse Offset Count	13:0	0x0
1B01	LTE Transmit—B1 Corrupt Frame Count	12:0	0x0
1B02	LTE Transmit—B2 Corrupt Frame Count	12:0	0x0
1B03	LTE Transmit—M1 Corrupt Frame Count	12:0	0x0

Microprocessor Interface (continued)

Table 71. Register Summary (continued)

Address (Hex)	Name	Bits	Reset
1B04	LTE Transmit—TFRM S1 Byte	7:0	0x0
1B05	LTE Transmit—Interrupt Alarm Register	2:0	0x0
1B06	LTE Transmit—Interrupt Alarm Mask Register	2:0	0x0
1B07— 1BFF	Not Used	—	—
1C00	LTE Transmit Channel 1 Provisioning Register	5:0	0x0
1C01	LTE Transmit Channel 1 Maintenance Register	5:0	0x0
1C02	LTE Transmit Channel 1 Path Unequipped (UNEQ-P) Insert Enable #1	11:0	0x0
1C03	LTE Transmit Channel 1 Path Unequipped (UNEQ-P) Insert Enable #2	11:0	0x0
1C04	LTE Transmit Channel 1 Path Unequipped (UNEQ-P) Insert Enable #3	11:0	0x0
1C05	LTE Transmit Channel 1 Path Unequipped (UNEQ-P) Insert Enable #4	11:0	0x0
1C06	LTE Transmit Channel 1 Path AIS (AIS-P) Insert Enable #1	11:0	0x0
1C07	LTE Transmit Channel 1 Path AIS (AIS-P) Insert Enable #2	11:0	0x0
1C08	LTE Transmit Channel 1 Path AIS (AIS-P) Insert Enable #3	11:0	0x0
1C09	LTE Transmit Channel 1 Path AIS (AIS-P) Insert Enable #4	11:0	0x0
1C0A	LTE Transmit Channel 1 K1K2 Byte Insert Values	15:0	0x0
1C0B	LTE Transmit Channel 1 S1 Byte Insert Value	7:0	0x0
1C0C	LTE Transmit Channel 1 Interrupt Alarm Register	1:0	0x0
1C0D	LTE Transmit Channel 1 Interrupt Alarm Mask Register	1:0	0x0
1C0E— 1CFF	Not Used	—	—
1D00	LTE Transmit Channel 2 Provisioning Register	5:0	0x0
1D01	LTE Transmit Channel 2 Maintenance Register	5:0	0x0
1D02	LTE Transmit Channel 2 Path Unequipped (UNEQ-P) Insert Enable #1	11:0	0x0
1D03	LTE Transmit Channel 2 Path Unequipped (UNEQ-P) Insert Enable #2	11:0	0x0
1D04	LTE Transmit Channel 2 Path Unequipped (UNEQ-P) Insert Enable #3	11:0	0x0
1D05	LTE Transmit Channel 2 Path Unequipped (UNEQ-P) Insert Enable #4	11:0	0x0
1D06	LTE Transmit Channel 2 Path AIS (AIS-P) Insert Enable #1	11:0	0x0
1D07	LTE Transmit Channel 2 Path AIS (AIS-P) Insert Enable #2	11:0	0x0
1D08	LTE Transmit Channel 2 Path AIS (AIS-P) Insert Enable #3	11:0	0x0
1D09	LTE Transmit Channel 2 Path AIS (AIS-P) Insert Enable #4	11:0	0x0
1D0A	LTE Transmit Channel 2 K1K2 Byte Insert Values	15:0	0x0
1D0B	LTE Transmit Channel 2 S1 Byte Insert Value	7:0	0x0
1D0C	LTE Transmit Channel 2 Interrupt Alarm Register	1:0	0x0
1D0D	LTE Transmit Channel 2 Interrupt Alarm Mask Register	1:0	0x0
1D0E— 1DFF	Not Used	—	—
1E00	LTE Transmit Channel 3 Provisioning Register	5:0	0x0
1E01	LTE Transmit Channel 3 Maintenance Register	5:0	0x0
1E02	LTE Transmit Channel 3 Path Unequipped (UNEQ-P) Insert Enable #1	11:0	0x0
1E03	LTE Transmit Channel 3 Path Unequipped (UNEQ-P) Insert Enable #2	11:0	0x0

Microprocessor Interface (continued)

Table 71. Register Summary (continued)

Address (Hex)	Name	Bits	Reset
1E04	LTE Transmit Channel 3 Path Unequipped (UNEQ-P) Insert Enable #3	11:0	0x0
1E05	LTE Transmit Channel 3 Path Unequipped (UNEQ-P) Insert Enable #4	11:0	0x0
1E06	LTE Transmit Channel 3 Path AIS (AIS-P) Insert Enable #1	11:0	0x0
1E07	LTE Transmit Channel 3 Path AIS (AIS-P) Insert Enable #2	11:0	0x0
1E08	LTE Transmit Channel 3 Path AIS (AIS-P) Insert Enable #3	11:0	0x0
1E09	LTE Transmit Channel 3 Path AIS (AIS-P) Insert Enable #4	11:0	0x0
1E0A	LTE Transmit Channel 3 K1K2 Byte Insert Values	15:0	0x0
1E0B	LTE Transmit Channel 3 S1 Byte Insert Value	7:0	0x0
1E0C	LTE Transmit Channel 3 Interrupt Alarm Register	1:0	0x0
1E0D	LTE Transmit Channel 3 Interrupt Alarm Mask Register	1:0	0x0
1E0E— 1EFF	Not Used	—	—
1F00	LTE Transmit Channel 4 Provisioning Register	5:0	0x0
1F01	LTE Transmit Channel 4 Maintenance Register	5:0	0x0
1F02	LTE Transmit Channel 4 Path Unequipped (UNEQ-P) Insert Enable #1	11:0	0x0
1F03	LTE Transmit Channel 4 Path Unequipped (UNEQ-P) Insert Enable #2	11:0	0x0
1F04	LTE Transmit Channel 4 Path Unequipped (UNEQ-P) Insert Enable #3	11:0	0x0
1F05	LTE Transmit Channel 4 Path Unequipped (UNEQ-P) Insert Enable #4	11:0	0x0
1F06	LTE Transmit Channel 4 Path AIS (AIS-P) Insert Enable #1	11:0	0x0
1F07	LTE Transmit Channel 4 Path AIS (AIS-P) Insert Enable #2	11:0	0x0
1F08	LTE Transmit Channel 4 Path AIS (AIS-P) Insert Enable #3	11:0	0x0
1F09	LTE Transmit Channel 4 Path AIS (AIS-P) Insert Enable #4	11:0	0x0
1F0A	LTE Transmit Channel 4 K1K2 Byte Insert Values	15:0	0x0
1F0B	LTE Transmit Channel 4 S1 Byte Insert Value	7:0	0x0
1F0C	LTE Transmit Channel 4 Interrupt Alarm Register	1:0	0x0
1F0D	LTE Transmit Channel 4 Interrupt Alarm Mask Register	1:0	0x0
1F0E— 1FFF	Not Used	—	—
2000	EQPT Interrupt Status Register	12:0	0x0
2001	EQPT Interrupt Mask Register	12:0	0x0
2002	Receive Drop Common Service-Affecting Alarm Register	0	0x0
2003	Receive Drop Common Service-Affecting Alarm Mask Register	0	0x0
2004— 23FF	Not Used	—	—
2400	Receive Drop STS-48 Channel Provisioning Register 1	1:0	0x0
2401	J0 Trace—STS-12 Channel 1	7:0	0x1
2402	J0 Trace—STS-12 Channel 2	7:0	0x2
2403	J0 Trace—STS-12 Channel 3	7:0	0x3
2404	J0 Trace—STS-12 Channel 4	7:0	0x4
2405	Receive Drop STS-48 Channel Nonservice-Affecting Alarm Register 1	4:0	0x0
2406	Receive Drop STS-48 Channel Nonservice-Affecting Alarm Mask Register 1	4:0	0x0

Microprocessor Interface (continued)

Table 71. Register Summary (continued)

Address (Hex)	Name	Bits	Reset
2407— 24FF	Not Used	—	—
2500	Receive Drop STS-48 Channel Provisioning Register 2	1:0	0x0
2501	J0 Trace—STS-12 Channel 5	7:0	0x5
2502	J0 Trace—STS-12 Channel 6	7:0	0x6
2503	J0 Trace—STS-12 Channel 7	7:0	0x7
2504	J0 Trace—STS-12 Channel 8	7:0	0x8
2505	Receive Drop STS-48 Channel Nonservice-Affecting Alarm Register 2	4:0	0x0
2506	Receive Drop STS-48 Channel Nonservice-Affecting Alarm Mask Register 2	4:0	0x0
2507— 25FF	Not Used	—	—
2600	Receive Drop STS-48 Channel Provisioning Register 3	1:0	0x0
2601	J0 Trace—STS-12 Channel 9	7:0	0x9
2602	J0 Trace—STS-12 Channel 10	7:0	0x10
2603	J0 Trace—STS-12 Channel 11	7:0	0x11
2604	J0 Trace—STS-12 Channel 12	7:0	0x12
2605	Receive Drop STS-48 Channel Nonservice-Affecting Alarm Register 3	4:0	0x0
2606	Receive Drop STS-48 Channel Nonservice-Affecting Alarm Mask Register 3	4:0	0x0
2607— 26FF	Not Used	—	—
2700	Receive Drop STS-48 Channel Provisioning Register 4	1:0	0x0
2701	J0 Trace—STS-12 Channel 13	7:0	0x13
2702	J0 Trace—STS-12 Channel 14	7:0	0x14
2703	J0 Trace—STS-12 Channel 15	7:0	0x15
2704	J0 Trace—STS-12 Channel 16	7:0	0x16
2705	Receive Drop STS-48 Channel Nonservice-Affecting Alarm Register 4	4:0	0x0
2706	Receive Drop STS-48 Channel Nonservice-Affecting Alarm Mask Register 4	4:0	0x0
2707— 27FF	Not Used	—	—
2C00	Transmit Add STS-48 Channel Provisioning Register #1	1:0	0x0
2C01	J0 Status Register—1, STS-48 #1	7:0	0x0
2C02	J0 Status Register—2, STS-48 #1	7:0	0x0
2C03	J0 Status Register—3, STS-48 #1	7:0	0x0
2C04	J0 Status Register—4, STS-48 #1	7:0	0x0
2C05	AIS Insert Status Register, STS-12 Channel #1, STS-48 #1	11:0	0x0
2C06	AIS Insert Status Register, STS-12 Channel #2, STS-48 #1	11:0	0x0
2C07	AIS Insert Status Register, STS-12 Channel #3, STS-48 #1	11:0	0x0
2C08	AIS Insert Status Register, STS-12 Channel #4, STS-48 #1	11:0	0x0
2C09	Transmit Add STS-48 Channel Alarm Register #1	14:0	0x0
2C0A	Transmit Add STS-48 Channel Alarm Mask Register #1	14:0	0x0

Microprocessor Interface (continued)

Table 71. Register Summary (continued)

Address (Hex)	Name	Bits	Reset
2C0B— 2CFF	Not Used	—	—
2D00	Transmit Add STS-48 Channel Provisioning Register #2	1:0	0x0
2D01	J0 Status Register—1, STS-48 #2	7:0	0x0
2D02	J0 Status Register—2, STS-48 #2	7:0	0x0
2D03	J0 Status Register—3, STS-48 #2	7:0	0x0
2D04	J0 Status Register—4, STS-48 #2	7:0	0x0
2D05	AIS Insert Status Register, STS-12 Channel #1, STS-48 #2	11:0	0x0
2D06	AIS Insert Status Register, STS-12 Channel #2, STS-48 #2	11:0	0x0
2D07	AIS Insert Status Register, STS-12 Channel #3, STS-48 #2	11:0	0x0
2D08	AIS Insert Status Register, STS-12 Channel #4, STS-48 #2	11:0	0x0
2D09	Transmit Add STS-48 Channel Alarm Register #2	14:0	0x0
2D0A	Transmit Add STS-48 Channel Alarm Mask Register #2	14:0	0x0
2D0B— 2DFF	Not Used	—	—
2E00	Transmit Add STS-48 Channel Provisioning Register #3	1:0	0x0
2E01	J0 Status Register—1, STS-48 #3	7:0	0x0
2E02	J0 Status Register—2, STS-48 #3	7:0	0x0
2E03	J0 Status Register—3, STS-48 #3	7:0	0x0
2E04	J0 Status Register—4, STS-48 #3	7:0	0x0
2E05	AIS Insert Status Register, STS-12 Channel #1, STS-48 #3	11:0	0x0
2E06	AIS Insert Status Register, STS-12 Channel #2, STS-48 #3	11:0	0x0
2E07	AIS Insert Status Register, STS-12 Channel #3, STS-48 #3	11:0	0x0
2E08	AIS Insert Status Register, STS-12 Channel #4, STS-48 #3	11:0	0x0
2E09	Transmit Add STS-48 Channel Alarm Register #3	14:0	0x0
2E0A	Transmit Add STS-48 Channel Alarm Mask Register #3	14:0	0x0
2E0B— 2EFF	Not Used	—	—
2F00	Transmit Add STS-48 Channel Provisioning Register #4	1:0	0x0
2F01	J0 Status Register—1, STS-48 #4	7:0	0x0
2F02	J0 Status Register—2, STS-48 #4	7:0	0x0
2F03	J0 Status Register—3, STS-48 #4	7:0	0x0
2F04	J0 Status Register—4, STS-48 #4	7:0	0x0
2F05	AIS Insert Status Register, STS-12 Channel #1, STS-48 #4	11:0	0x0
2F06	AIS Insert Status Register, STS-12 Channel #2, STS-48 #4	11:0	0x0
2F07	AIS Insert Status Register, STS-12 Channel #3, STS-48 #4	11:0	0x0
2F08	AIS Insert Status Register, STS-12 Channel #4, STS-48 #4	11:0	0x0
2F09	Transmit Add STS-48 Channel Alarm Register #4	14:0	0x0
2F0A	Transmit Add STS-48 Channel Alarm Mask Register #4	14:0	0x0
2F0B— 2FFF	Not Used	—	—

Microprocessor Interface (continued)

Table 71. Register Summary (continued)

Address (Hex)	Name	Bits	Reset
3000	STS-12 Pointer Processor Provisioning, STS-1 #1 to STS-1 #12	5:0	0x11
3001	STS-12 Pointer Processor Maintenance, STS-1 #1 to STS-1 #12	11:0	0x0
3002	STS-12 Pointer Interpreter PM, Last Second Increments, STS-1 #1 to STS-1 #12	10:0	0x0
3003	STS-12 Pointer Interpreter PM, Last Second Decrements, STS-1 #1 to STS-1 #12	10:0	0x0
3004	STS-12 Pointer Generator PM, Last Second Increments, STS-1 #1 to STS-1 #12	10:0	0x0
3005	STS-12 Pointer Generator PM, Last Second Decrements, STS-1 #1 to STS-1 #12	10:0	0x0
3006— 300F	Not Used	—	—
3010	STS-1 #1 Path Overhead Provisioning	15:0	0x0
3011	STS-1 #1 Path Overhead Maintenance	3:0	0x0
3012	STS-1 #1 Path Overhead Status	10:0	0x0
3013	STS-1 #1 Alarm Interrupt Status	6:0	0x0
3014	STS-1 #1 Alarm Interrupt Status Mask	6:0	0x0
3015	STS-1 #1 Alarm Persistency	4:0	0x0
3016	STS-1 #1 PM Last Second Indicators	6:0	0x0
3017	STS-1 #1 Last Second CV-P Count	15:0	0x0
3018	STS-1 #1 Last Second REI-P Count	15:0	0x0
3019	Not Used	—	—
3020	STS-1 #2 Path Overhead Provisioning	15:0	0x0
...	...		
3028	STS-1 #2 Last Second REI-P Count	15:0	0x0
...	...		
30C0	STS-1 #12 Path Overhead Provisioning	15:0	0x0
...	...		
30C8	STS-1 #12 Last Second REI-P Count	15:0	0x0
3100	STS-12 Pointer Processor Provisioning, STS-1 #13 to STS-1 #24	5:0	0x11
...	...		
31C8	STS-1 #24 Last Second REI-P Count	15:0	0x0
...	...		
3F00	STS-12 Pointer Processor Provisioning, STS-1 #181 to STS-1 #192	5:0	0x11
...	...		
3FC8	STS-1 #192 Last Second REI-P Count	15:0	0x0
3FC9— 3FFF	Not Used	—	—
4000	Path Overhead (POH) Interrupt Status Register	15:0	0x0
4001	Path Overhead (POH) Interrupt Status Mask Register	15:0	0x0
4002	Path STS-1 Signal Fail Detect Threshold, Window Size Select 0	15:0	0x40CF

Microprocessor Interface (continued)

Table 71. Register Summary (continued)

Address (Hex)	Name	Bits	Reset
4003	Path STS-1 Signal Fail Clear Threshold, Window Size Select 0	15:0	0x8113
4004	Path STS-1 Signal Fail Detect Threshold, Window Size Select 1	15:0	0x80DE
4005	Path STS-1 Signal Fail Clear Threshold, Window Size Select 1	15:0	0xC115
4006	Path STS-Nc Signal Fail Detect Threshold, Window Size Select 2	15:0	0x4233
4007	Path STS-Nc Signal Fail Clear Threshold, Window Size Select 2	15:0	0x830B
4008	Path STS-Nc Signal Fail Detect Threshold, Window Size Select 3	15:0	0x82B2
4009	Path STS-Nc Signal Fail Clear Threshold, Window Size Select 3	15:0	0xC31B
400A	Path STS-Nc Signal Fail Detect Threshold, Window Size Select 4	15:0	0x43A3
400B	Path STS-Nc Signal Fail Clear Threshold, Window Size Select 4	15:0	0x85D8
400C	Path STS-Nc Signal Fail Detect Threshold, Window Size Select 5	15:0	0x855E
400D	Path STS-Nc Signal Fail Clear Threshold, Window Size Select 5	15:0	0xC618
400E	Path STS-Nc Signal Fail Detect Threshold, Window Size Select 6	15:0	0x451D
400F	Path STS-Nc Signal Fail Clear Threshold, Window Size Select 6	15:0	0x8B08
4010	Path STS-Nc Signal Fail Detect Threshold, Window Size Select 7	15:0	0x8A62
4011	Path STS-Nc Signal Fail Clear Threshold, Window Size Select 7	15:0	0xCBFC
4012	Path Signal Fail Window Size	15:0	0xA
4013	Path Signal Fail Window Size	15:0	0x64
4014	Path Signal Fail Window Size	15:0	0x3E8
4015	Path Signal Fail Window Size	15:0	0x2710
4016— 46FF	Not Used	—	—
4100	Path Trace Access Control	3:0	0x0
4101	Path Trace Access Complete Status	0	0x0
4102	Path Trace Access Start	0	0x0
4110	Path Trace Buffer Word #1	15:0	0x0
4111	Path Trace Buffer Word #2	15:0	0x0
4112	Path Trace Buffer Word #3	15:0	0x0
4113	Path Trace Buffer Word #4	15:0	0x0
4114	Path Trace Buffer Word #5	15:0	0x0
4115	Path Trace Buffer Word #6	15:0	0x0
4116	Path Trace Buffer Word #7	15:0	0x0
4117	Path Trace Buffer Word #8	15:0	0x0
4118	Path Trace Buffer Word #9	15:0	0x0
4119	Path Trace Buffer Word #10	15:0	0x0
411A	Path Trace Buffer Word #11	15:0	0x0
411B	Path Trace Buffer Word #12	15:0	0x0
411C	Path Trace Buffer Word #13	15:0	0x0
411D	Path Trace Buffer Word #14	15:0	0x0
411E	Path Trace Buffer Word #15	15:0	0x0
411F	Path Trace Buffer Word #16	15:0	0x0
4120	Path Trace Buffer Word #17	15:0	0x0

Microprocessor Interface (continued)

Table 71. Register Summary (continued)

Address (Hex)	Name	Bits	Reset
4121	Path Trace Buffer Word #18	15:0	0x0
4122	Path Trace Buffer Word #19	15:0	0x0
4123	Path Trace Buffer Word #20	15:0	0x0
4124	Path Trace Buffer Word #21	15:0	0x0
4125	Path Trace Buffer Word #22	15:0	0x0
4126	Path Trace Buffer Word #23	15:0	0x0
4127	Path Trace Buffer Word #24	15:0	0x0
4128	Path Trace Buffer Word #25	15:0	0x0
4129	Path Trace Buffer Word #26	15:0	0x0
412A	Path Trace Buffer Word #27	15:0	0x0
412B	Path Trace Buffer Word #28	15:0	0x0
412C	Path Trace Buffer Word #29	15:0	0x0
412D	Path Trace Buffer Word #30	15:0	0x0
412E	Path Trace Buffer Word #31	15:0	0x0
412F	Path Trace Buffer Word #32	15:0	0x0
4130— 43FF	Not Used	—	—
4400	STS-1 Channel Interrupt Status, STS-1 #1 to STS-1 #16 (STS-48 #1)	15:0	0x0
4401	STS-1 Channel Interrupt Status Mask, STS-1 #1 to STS-1 #16 (STS-48 #1)	15:0	0x0
4402	STS-1 Channel Interrupt Status, STS-1 #17 to STS-1 #32 (STS-48 #1)	15:0	0x0
4403	STS-1 Channel Interrupt Status Mask, STS-1 #17 to STS-1 #32 (STS-48 #1)	15:0	0x0
4404	STS-1 Channel Interrupt Status, STS-1 #33 to STS-1 #48 (STS-48 #1)	15:0	0x0
4405	STS-1 Channel Interrupt Status Mask, STS-1 #33 to STS-1 #48 (STS-48 #1)	15:0	0x0
4406	STS-48 #1 Channel Path Trace Control	9:0	0x200
4407	S/W Concatenation Map STS-1 #1 to STS-1 #12 (STS-48 #1)	11:0	0x0
4408	S/W Concatenation Map STS-1 #13 to STS-1 #24 (STS-48 #1)	11:0	0x0
4409	S/W Concatenation Map STS-1 #25 to STS-1 #36 (STS-48 #1)	11:0	0x0
440A	S/W Concatenation Map STS-1 #37 to STS-1 #48 (STS-48 #1)	11:0	0x0
440B	S/W Concatenation Mask STS-1 #1 to STS-1 #12 (STS-48 #1)	11:0	0x0
440C	S/W Concatenation Mask STS-1 #13 to STS-1 #24 (STS-48 #1)	11:0	0x0
440D	S/W Concatenation Mask STS-1 #25 to STS-1 #36 (STS-48 #1)	11:0	0x0
440E	S/W Concatenation Mask STS-1 #37 to STS-1 #48 (STS-48 #1)	11:0	0x0
440F	Received Concatenation Map STS-1 #1 to STS-1 #12 (STS-48 #1)	11:0	0x0
4410	Received Concatenation Map STS-1 #13 to STS-1 #24 (STS-48 #1)	11:0	0x0
4411	Received Concatenation Map STS-1 #25 to STS-1 #36 (STS-48 #1)	11:0	0x0
4412	Received Concatenation Map STS-1 #37 to STS-1 #48 (STS-48 #1)	11:0	0x0
4413	STS-48 Channel 1, Path Interrupt Status	11:0	0x0
4414	STS-48 Channel 1, Path Interrupt Status Mask	11:0	0x0
4415— 44FF	Not Used	—	—

Microprocessor Interface (continued)

Table 71. Register Summary (continued)

Address (Hex)	Name	Bits	Reset
4500	STS-1 Channel Interrupt Status, STS-1 #49 to STS-1 #64 (STS-48 #2)	15:0	0x0
4501	STS-1 Channel Interrupt Status Mask, STS-1 #1 to STS-1 #16 (STS-48 #2)	15:0	0x0
4502	STS-1 Channel Interrupt Status, STS-1 #17 to STS-1 #32 (STS-48 #2)	15:0	0x0
4503	STS-1 Channel Interrupt Status Mask, STS-1 #17 to STS-1 #32 (STS-48 #2)	15:0	0x0
4504	STS-1 Channel Interrupt Status, STS-1 #33 to STS-1 #48 (STS-48 #2)	15:0	0x0
4505	STS-1 Channel Interrupt Status Mask, STS-1 #33 to STS-1 #48 (STS-48 #2)	15:0	0x0
4506	STS-48 #2 Channel Path Trace Control	9:0	0x200
4507	S/W Concatenation Map STS-1 #1 to STS-1 #12 (STS-48 #2)	11:0	0x0
4508	S/W Concatenation Map STS-1 #13 to STS-1 #24 (STS-48 #2)	11:0	0x0
4509	S/W Concatenation Map STS-1 #25 to STS-1 #36 (STS-48 #2)	11:0	0x0
450A	S/W Concatenation Map STS-1 #37 to STS-1 #48 (STS-48 #2)	11:0	0x0
450B	S/W Concatenation Mask STS-1 #1 to STS-1 #12 (STS-48 #2)	11:0	0x0
450C	S/W Concatenation Mask STS-1 #13 to STS-1 #24 (STS-48 #2)	11:0	0x0
450D	S/W Concatenation Mask STS-1 #25 to STS-1 #36 (STS-48 #2)	11:0	0x0
450E	S/W Concatenation Mask STS-1 #37 to STS-1 #48 (STS-48 #2)	11:0	0x0
450F	Received Concatenation Map STS-1 #1 to STS-1 #12 (STS-48 #2)	11:0	0x0
4510	Received Concatenation Map STS-1 #13 to STS-1 #24 (STS-48 #2)	11:0	0x0
4511	Received Concatenation Map STS-1 #25 to STS-1 #36 (STS-48 #2)	11:0	0x0
4512	Received Concatenation Map STS-1 #37 to STS-1 #48 (STS-48 #2)	11:0	0x0
4513	STS-48 Channel 2, Path Interrupt Status	11:0	0x0
4514	STS-48 Channel 2, Path Interrupt Status Mask	11:0	0x0
4515— 45FF	Not Used	—	—
4600	STS-1 Channel Interrupt Status, STS-1 #97 to STS-1 #112 (STS-48 #3)	15:0	0x0
4601	STS-1 Channel Interrupt Status Mask, STS-1 #1 to STS-1 #16 (STS-48 #3)	15:0	0x0
4602	STS-1 Channel Interrupt Status, STS-1 #17 to STS-1 #32 (STS-48 #3)	15:0	0x0
4603	STS-1 Channel Interrupt Status Mask, STS-1 #17 to STS-1 #32 (STS-48 #3)	15:0	0x0
4604	STS-1 Channel Interrupt Status, STS-1 #33 to STS-1 #48 (STS-48 #3)	15:0	0x0
4605	STS-1 Channel Interrupt Status Mask, STS-1 #33 to STS-1 #48 (STS-48 #3)	15:0	0x0
4606	STS-48 #3 Channel Path Trace Control	9:0	0x200
4607	S/W Concatenation Map STS-1 #1 to STS-1 #12 (STS-48 #3)	11:0	0x0
4608	S/W Concatenation Map STS-1 #13 to STS-1 #24 (STS-48 #3)	11:0	0x0
4609	S/W Concatenation Map STS-1 #25 to STS-1 #36 (STS-48 #3)	11:0	0x0
460A	S/W Concatenation Map STS-1 #37 to STS-1 #48 (STS-48 #3)	11:0	0x0
460B	S/W Concatenation Mask STS-1 #1 to STS-1 #12 (STS-48 #3)	11:0	0x0
460C	S/W Concatenation Mask STS-1 #13 to STS-1 #24 (STS-48 #3)	11:0	0x0
460D	S/W Concatenation Mask STS-1 #25 to STS-1 #36 (STS-48 #3)	11:0	0x0
460E	S/W Concatenation Mask STS-1 #37 to STS-1 #48 (STS-48 #3)	11:0	0x0
460F	Received Concatenation Map STS-1 #1 to STS-1 #12 (STS-48 #3)	11:0	0x0
4610	Received Concatenation Map STS-1 #13 to STS-1 #24 (STS-48 #3)	11:0	0x0
4611	Received Concatenation Map STS-1 #25 to STS-1 #36 (STS-48 #3)	11:0	0x0

Microprocessor Interface (continued)

Table 71. Register Summary (continued)

Address (Hex)	Name	Bits	Reset
4612	Received Concatenation Map STS-1 #37 to STS-1 #48 (STS-48 #3)	11:0	0x0
4613	STS-48 Channel 3, Path Interrupt Status	11:0	0x0
4614	STS-48 Channel 3, Path Interrupt Status Mask	11:0	0x0
4615— 46FF	Not Used	—	—
4700	STS-1 Channel Interrupt Status, STS-1 #145 to STS-1 #160 (STS-48 #4)	15:0	0x0
4701	STS-1 Channel Interrupt Status Mask, STS-1 #1 to STS-1 #16 (STS-48 #4)	15:0	0x0
4702	STS-1 Channel Interrupt Status, STS-1 #17 to STS-1 #32 (STS-48 #4)	15:0	0x0
4703	STS-1 Channel Interrupt Status Mask, STS-1 #17 to STS-1 #32 (STS-48 #4)	15:0	0x0
4704	STS-1 Channel Interrupt Status, STS-1 #33 to STS-1 #48 (STS-48 #4)	15:0	0x0
4705	STS-1 Channel Interrupt Status Mask, STS-1 #33 to STS-1 #48 (STS-48 #4)	15:0	0x0
4706	STS-48 #4 Channel Path Trace Control	9:0	0x200
4707	S/W Concatenation Map STS-1 #1 to STS-1 #12 (STS-48 #4)	11:0	0x0
4708	S/W Concatenation Map STS-1 #13 to STS-1 #24 (STS-48 #4)	11:0	0x0
4709	S/W Concatenation Map STS-1 #25 to STS-1 #36 (STS-48 #4)	11:0	0x0
470A	S/W Concatenation Map STS-1 #37 to STS-1 #48 (STS-48 #4)	11:0	0x0
470B	S/W Concatenation Mask STS-1 #1 to STS-1 #12 (STS-48 #4)	11:0	0x0
470C	S/W Concatenation Mask STS-1 #13 to STS-1 #24 (STS-48 #4)	11:0	0x0
470D	S/W Concatenation Mask STS-1 #25 to STS-1 #36 (STS-48 #4)	11:0	0x0
470E	S/W Concatenation Mask STS-1 #37 to STS-1 #48 (STS-48 #4)	11:0	0x0
470F	Received Concatenation Map STS-1 #1 to STS-1 #12 (STS-48 #4)	11:0	0x0
4710	Received Concatenation Map STS-1 #13 to STS-1 #24 (STS-48 #4)	11:0	0x0
4711	Received Concatenation Map STS-1 #25 to STS-1 #36 (STS-48 #4)	11:0	0x0
4712	Received Concatenation Map STS-1 #37 to STS-1 #48 (STS-48 #4)	11:0	0x0
4713	STS-48 Channel 4, Path Interrupt Status	11:0	0x0
4714	STS-48 Channel 4, Path Interrupt Status Mask	11:0	0x0

Microprocessor Interface (continued)

Device-Level Registers

This section gives a brief description of each register bit and its functionality. The abbreviations after each register indicate if the register is read only (RO), write one clear (W1C), read/write (R/W), or write only (WO).

W1C mode will clear bits to which a 1 is written. Bits written to 0 are not cleared.

Table 72. Interrupt Status (RO)

Address (Hex)	Bit	Name	Description	Reset
0	15:8	—	Unused.	0
	7	CHIP_EQPT_NSA	EQPT Nonservice-Affecting Alarms. Source—register 0x2000, bits 4—7, 9—12. See Table 150 on page 134.	0
	6	CHIP_EQPT_SA	EQPT Service-Affecting Alarms. Source—register 0x2000, bits 0—3, 8. See Table 150 on page 134.	0
	5	CHIP_POH_STS48	POH STS-48 Channel Alarms. Source—register 0x4000, bits 12—15. See Table 187 on page 149.	0
	4	CHIP_POH_STS1	POH STS-1 Channel Alarms. Source—register 0x4000, bits 0—11. See Table 187 on page 149.	0
	3	CHIP_LTE_NSA	LTE Nonservice-Affecting Alarms. Source—register 0x1000, bits 4—7, 9—13. See Table 82 on page 115.	0
	2	CHIP_LTE_SA	LTE Service-Affecting Alarms. Source—register 0x1000, bits 0—3, 8. See Table 82 on page 115.	0
	1	CHIP_PM_CLK	PMCLK Positive Edge Detected. Source—register 0x7, bit 6. See Table 79 on page 113.	0
	0	CHIP_CLK_LOSS	Clock Loss Alarms. Source—register 0x7, bits 0—5. See Table 79 on page 113.	0

Microprocessor Interface (continued)

Table 73. Interrupt Status Mask (R/W)

Address (Hex)	Bit	Name	Description	Reset
1	15:8	—	Unused. Program to zero.	0
	7	CHIP_EQPT_NSA_M	EQPT Nonservice-Affecting Alarms Interrupt Mask. 1 = Enable interrupt. 0 = Mask interrupt.	0
	6	CHIP_EQPT_SA_M	EQPT Service-Affecting Alarms Interrupt Mask. 1 = Enable interrupt. 0 = Mask interrupt.	0
	5	CHIP_POH_STS48_M	POH STS-48 Channel Alarms Interrupt Mask. 1 = Enable interrupt. 0 = Mask interrupt.	0
	4	CHIP_POH_STS1_M	POH STS-1 Channel Alarms Interrupt Mask. 1 = Enable interrupt. 0 = Mask interrupt.	0
	3	CHIP_LTE_NSA_M	LTE Nonservice-Affecting Alarms Interrupt Mask. 1 = Enable interrupt. 0 = Mask interrupt.	0
	2	CHIP_LTE_SA_M	LTE Service-Affecting Alarms Interrupt Mask. 1 = Enable interrupt. 0 = Mask interrupt.	0
	1	CHIP_PM_CLK_M	PMCLK Positive Edge Detected Interrupt Mask. 1 = Enable interrupt. 0 = Mask interrupt.	0
	0	CHIP_CLK_LOSS_M	Clock Loss Alarms Interrupt Mask. 1 = Enable interrupt. 0 = Mask interrupt.	0

Table 74. Chip ID (RO)

Address (Hex)	Bit	Name	Description	Reset
2	15:0	CHIP_ID	Chip Identification Code. Register always reads as 0x1515.	0x1515

Table 75. Chip Vintage (RO)

Address (Hex)	Bit	Name	Description	Reset
3	15:0	CHIP_VINTAGE	Chip Vintage Code. Register always reads as 0x0005.	0x1

Microprocessor Interface (continued)

Table 76. Scratch Pad, Clock Loss Alarm (R/W)

Address (Hex)	Bit	Name	Description	Reset
4	15:0	SCRATCH_PAD	Scratch Pad Register. Does not impact device operation.	0

Table 77. Chip-Level Maintenance (R/W)

Address (Hex)	Bit	Name	Description	Reset
5	15:1	—	Unused. Program to zero.	0
	0	FRC_PAR_ERR	Force Parity Error Alarms (all data paths and memories). 1 = Forces an internal parity error alarm. 0 = Normal operation.	0

Table 78. Chip Status (RO)

Address (Hex)	Bit	Name	Description	Reset
6	15:3	—	Unused.	0
	2	DRPBYP	State of DRPBYP Pin. 1 = Pointer generator is bypassed. 0 = Pointer generator is enabled.	Pin State
	1	STS_MODE	State of STS_MODE Pin. 1 = STS-48. 0 = STS-192.	Pin State
	0	CHIP_INT	Chip Interrupt Activity Status (i.e., inverted INT_N). 1 = Interrupt pin is asserted. 0 = No interrupt.	0

Microprocessor Interface (continued)

Table 79. Clock Loss Alarm/PM Clock Detection (W1C)

Address (Hex)	Bit	Name	Description	Reset
7	15:7	—	Unused. May write ones on clear (W1C) if desired.	0
	6	PM_CLK	PMCLK Strobe Positive Edge Detected (sampled by PCLK). 1 = PMCLK detected. 0 = PMCLK not detected.	0
	5	D_CLK_FAIL	Loss of Clock—D_CLK. 1 = Loss of clock. 0 = D_CLK detected.	0
	4	T_CLK_FAIL	Loss of Clock—T_CLK. 1 = Loss of clock. 0 = T_CLK detected.	0
	3	R_CLK_4_FAIL	Loss of Clock—R_CLK_4. 1 = Loss of clock. 0 = R_CLK_4 detected.	0
	2	R_CLK_3_FAIL	Loss of Clock—R_CLK_3. 1 = Loss of clock. 0 = R_CLK_3 detected.	0
	1	R_CLK_2_FAIL	Loss of Clock—R_CLK_2. 1 = Loss of clock. 0 = R_CLK_2 detected.	0
	0	R_CLK_1_FAIL	Loss of Clock—R_CLK_1. 1 = Loss of clock. 0 = R_CLK_1 detected.	0

Microprocessor Interface (continued)

Table 80. Clock Loss Alarm/PM Clock Detection Mask (R/W)

Address (Hex)	Bit	Name	Description	Reset
8	15:7	—	Unused. Program to zero.	0
	6	PM_CLK_M	PMCLK Strobe Positive Edge Detected (sampled by PCLK) Interrupt Mask. 1 = Enable interrupt. 0 = Mask interrupt.	0
	5	D_CLK_FAIL_M	Loss of Clock—D_CLK Interrupt Mask. 1 = Enable interrupt. 0 = Mask interrupt.	0
	4	T_CLK_FAIL_M	Loss of Clock—T_CLK Interrupt Mask. 1 = Enable interrupt. 0 = Mask interrupt.	0
	3	R_CLK_4_FAIL_M	Loss of Clock—R_CLK_4 Interrupt Mask. 1 = Enable interrupt. 0 = Mask interrupt.	0
	2	R_CLK_3_FAIL_M	Loss of Clock—R_CLK_3 Interrupt Mask. 1 = Enable interrupt. 0 = Mask interrupt.	0
	1	R_CLK_2_FAIL_M	Loss of Clock—R_CLK_2 Interrupt Mask. 1 = Enable interrupt. 0 = Mask interrupt.	0
	0	R_CLK_1_FAIL_M	Loss of Clock—R_CLK_1 Interrupt Mask. 1 = Enable interrupt. 0 = Mask interrupt.	0

Table 81. Software Chip Reset (WO)

Address (Hex)	Bit	Name	Description	Reset
FF	15:0	CHIP_SW_RESET	Force Hardware Reset to Entire Chip. Write 0xEAEA to initiate reset. Register always reads as 0x0000. See the Software Reset section on page 96 for details.	0

Microprocessor Interface (continued)

Line Terminating Equipment (LTE) Registers

The LTE registers are divided into six functional groups as follows:

- LTE Common Registers: contains the interrupt status register and the associated mask register that consolidates the alarms for the LTE.
- LTE J0 Access Registers: used to read and provision J0 messages for both the receive and transmit direction.
- Signal Degrade/Signal Fail Registers: allows the configuration of the detection time, error limits, and clear error limit for signal fail and signal degrade detection. These registers are common to all four receive STS-48 channels.
- LTE Receive Channel 1, 2, 3, and 4 Registers: provisioning, maintenance, alarm, and status registers for the individual receive STS-48 channels. In STS-192 mode, only the first channel registers are used (except for the receive overhead data (ROHDAT) memory parity error alarm, which is valid in all four channels).
- LTE Transmit Common Registers: provisioning, maintenance, alarm, and status registers that are shared between all four transmit STS-48 channels.
- LTE Transmit Channel 1, 2, 3, and 4 Registers: provisioning, maintenance, alarm, and status registers for the individual transmit STS-48 channels. In STS-192 mode, only the first channel registers are used (except for the transmit overhead data (ROHDAT) memory parity error alarm, which is valid in all four channels).

LTE Common Registers

Table 82. LTE Interrupt Status (RO)

Address (Hex)	Bit	Name	Description	Reset
1000	15:14	—	Unused.	0
	13	LTE_TX_4_NSA	Transmit Channel 4 Nonservice-Affecting Alarms.	0
	12	LTE_TX_3_NSA	Transmit Channel 3 Nonservice-Affecting Alarms.	0
	11	LTE_TX_2_NSA	Transmit Channel 2 Nonservice-Affecting Alarms.	0
	10	LTE_TX_1_NSA	Transmit Channel 1 Nonservice-Affecting Alarms.	0
	9	LTE_TX_COMMON_NSA	Transmit Nonservice-Affecting Alarms.	0
	8	LTE_TX_COMMON_SA	Transmit Service-Affecting Alarms.	0
	7	LTE_RX_4_NSA	Receive Channel 4 Nonservice-Affecting Alarms.	0
	6	LTE_RX_3_NSA	Receive Channel 3 Nonservice-Affecting Alarms.	0
	5	LTE_RX_2_NSA	Receive Channel 2 Nonservice-Affecting Alarms.	0
	4	LTE_RX_1_NSA	Receive Channel 1 Nonservice-Affecting Alarms.	0
	3	LTE_RX_4_SA	Receive Channel 4 Service-Affecting Alarms.	0
	2	LTE_RX_3_SA	Receive Channel 3 Service-Affecting Alarms.	0
	1	LTE_RX_2_SA	Receive Channel 2 Service-Affecting Alarms.	0
0	LTE_RX_1_SA	Receive Channel 1 Service-Affecting Alarms.	0	

Microprocessor Interface (continued)

Table 83. LTE Interrupt Status Mask (R/W)

Address (Hex)	Bit	Name	Description	Reset
1001	15:14	—	Unused. Program to zero.	0
	13	LTE_TX_4_NSA_M	Transmit Channel 4 Nonservice-Affecting Alarms Interrupt Mask. 1 = Enable interrupt. 0 = Mask interrupt.	0
	12	LTE_TX_3_NSA_M	Transmit Channel 3 Nonservice-Affecting Alarms Interrupt Mask. 1 = Enable interrupt. 0 = Mask interrupt.	0
	11	LTE_TX_2_NSA_M	Transmit Channel 2 Nonservice-Affecting Alarms Interrupt Mask. 1 = Enable interrupt. 0 = Mask interrupt.	0
	10	LTE_TX_1_NSA_M	Transmit Channel 1 Nonservice-Affecting Alarms Interrupt Mask. 1 = Enable interrupt. 0 = Mask interrupt.	0
	9	LTE_TX_COMMON_NSA_M	Transmit Nonservice-Affecting Alarms Interrupt Mask. 1 = Enable interrupt. 0 = Mask interrupt.	0
	8	LTE_TX_COMMON_SA_M	Transmit Service-Affecting Alarms Interrupt Mask. 1 = Enable interrupt. 0 = Mask interrupt.	0
	7	LTE_RX_4_NSA_M	Receive Channel 4 Nonservice-Affecting Alarms Interrupt Mask. 1 = Enable interrupt. 0 = Mask interrupt.	0
	6	LTE_RX_3_NSA_M	Receive Channel 3 Nonservice-Affecting Alarms Interrupt Mask. 1 = Enable interrupt. 0 = Mask interrupt.	0
	5	LTE_RX_2_NSA_M	Receive Channel 2 Nonservice-Affecting Alarms Interrupt Mask. 1 = Enable interrupt. 0 = Mask interrupt.	0
	4	LTE_RX_1_NSA_M	Receive Channel 1 Nonservice-Affecting Alarms Interrupt Mask. 1 = Enable interrupt. 0 = Mask interrupt.	0

Microprocessor Interface (continued)

Table 83. LTE Interrupt Status Mask (R/W) (continued)

Address (Hex)	Bit	Name	Description	Reset
1001	3	LTE_RX_4_SA_M	Receive Channel 4 Service-Affecting Alarms Interrupt Mask. 1 = Enable interrupt. 0 = Mask interrupt.	0
	2	LTE_RX_3_SA_M	Receive Channel 3 Service-Affecting Alarms Interrupt Mask. 1 = Enable interrupt. 0 = Mask interrupt.	0
	1	LTE_RX_2_SA_M	Receive Channel 2 Service-Affecting Alarms Interrupt Mask. 1 = Enable interrupt. 0 = Mask interrupt.	0
	0	LTE_RX_1_SA_M	Receive Channel 1 Service-Affecting Alarms Interrupt Mask. 1 = Enable interrupt. 0 = Mask interrupt.	0

LTE J0 Access Registers

The J0 access registers are used to read and provision the section trace messages for both the receive and transmit direction. The first step in reading or provisioning a message involves configuring the section trace access maintenance register for the type of access that is to be performed. If a message write operation is being performed, the message buffer should then be programmed with the desired section trace message to be written to the selected J0 memory. To start the transfer, write a 0x0001 to the J0 access message start register at which point the transfer occurs on a non-real-time basis. The J0 access done flag indicates the completion of the message transfer. If a read operation was specified, the J0 access message buffer now contains the contents of the selected message.

Note: To insert J0 into the transmit stream, 0x0020 must be written register 0x1C01 (the enable insertion of provisioned J0 message register). See Table 137 on page 131 for detailed register information.

Table 84. Section Trace (J0) Access Maintenance (R/W)

Address (Hex)	Bit	Name	Description	Reset
1100	15:5	—	Unused. Program to zero.	0
	4:3	J_ACCESS_CH_NUM	J0 Access Channel Number (0 to 3).	0
	2	J_ACCESS_DIR	J0 Access Direction. 1 = Transmit. 0 = Receive.	0
	1	J_ACCESS_MSG_TYPE	Received Message Type. 1 = Provisioned. 0 = Validated.	0
	0	J_ACCESS_RW	Message Read/Write. 1 = Write. 0 = Read.	0

Note: When the J_Access_Dir bit is set to 1 (transmit), the J_Access_Msg_Type bit is unused.

Microprocessor Interface (continued)

Table 85. J0 Access Done (W1C)

Address (Hex)	Bit	Name	Description	Reset
1101	15:1	—	Unused. May write ones on clear (W1C) if desired.	0
	0	J_ACCESS_DONE_FLAG	Access Done Flag.	0

Note: The J0 access done flag is a write 1 clear (W1C) register, but does not generate an interrupt.

Table 86. J0 Access Message Start (WO)

Address (Hex)	Bit	Name	Description	Reset
1102	15:1	—	Unused. Program to zero.	0
	0	LTE_J_ACCESS_MSG_START	Access Started Flag.	0

To start a J0 message transfer, write the value 0x0001 to this register. A read of this register is undefined and should not be performed.

Table 87. J0 Access Message Buffers 1—32 (R/W)

Address (Hex)	Bit	Name	Description	Reset
1110—112F	15:0	LTE_J_ACCESS_BUF_n	J0 Message Bytes.	0

The J0 access message buffer is organized as thirty-two 16-bit registers, which allows storage of 1 section trace message. The beginning of the message should be stored in the lower byte of the first register (i.e., J0 access message buffer word 1, address 1110, bits 7:0). For SDH messages, only the first eight registers contain the actual message (i.e., 16 bytes); the other registers are undefined. During a read operation, the contents of the J0 access message buffer is overwritten with the contents of the desired message.

Microprocessor Interface (continued)

Signal Degrade/Signal Fail Registers

The SD/SF registers listed below are shared between all four receive STS-48 channels. Selection of the bit rate for each channel is done using the corresponding LTE receive channel [1—4] maintenance register. The reset value for the SD/SF registers depends on the state of the STS_MODE pin. In the tables below, the first value in the reset field indicates the reset value of the register when the device is operating in STS-48 mode, and the second value is used in STS-192 mode. Both values are given in decimal format.

Table 88. Line Signal Degrade/Signal Fail Bit Error Rate Detection Time (1×10^{-3}) (R/W)

Address (Hex)	Bit	Name	Description	Reset
1300	15	SD_SF_DETECT_UNIT_3	Time Unit 0.5 ms(0)/1 s(1).	0/0
	14:0	SD_SF_DETECT_TIME_3	Detection Time Value—BER: 1×10^{-3} .	8/8

Table 89. Line Signal Degrade/Signal Fail Bit Error Rate Detection Time (1×10^{-4}) (R/W)

Address (Hex)	Bit	Name	Description	Reset
1301	15	SD_SF_DETECT_UNIT_4	Time Unit 0.5 ms(0)/1 s(1).	0/0
	14:0	SD_SF_DETECT_TIME_4	Detection Time Value—BER: 1×10^{-4} .	8/8

Table 90. Line Signal Degrade/Signal Fail Bit Error Rate Detection Time (1×10^{-5}) (R/W)

Address (Hex)	Bit	Name	Description	Reset
1302	15	SD_SF_DETECT_UNIT_5	Time Unit 0.5 ms(0)/1 s(1).	0/0
	14:0	SD_SF_DETECT_TIME_5	Detection Time Value—BER: 1×10^{-5} .	8/8

Table 91. Line Signal Degrade/Signal Fail Bit Error Rate Detection Time (1×10^{-6}) (R/W)

Address (Hex)	Bit	Name	Description	Reset
1303	15	SD_SF_DETECT_UNIT_6	Time Unit 0.5 ms(0)/1 s(1).	0/0
	14:0	SD_SF_DETECT_TIME_6	Detection Time Value—BER: 1×10^{-6} .	62/13

Table 92. Line Signal Degrade/Signal Fail Bit Error Rate Detection Time (1×10^{-7}) (R/W)

Address (Hex)	Bit	Name	Description	Reset
1304	15	SD_SF_DETECT_UNIT_7	Time Unit 0.5 ms(0)/1 s(1).	0/0
	14:0	SD_SF_DETECT_TIME_7	Detection Time Value—BER: 1×10^{-7} .	625/130

Microprocessor Interface (continued)

Table 93. Line Signal Degrade/Signal Fail Bit Error Rate Detection Time (1×10^{-8}) (R/W)

Address (Hex)	Bit	Name	Description	Reset
1305	15	SD_SF_DETECT_UNIT_8	Time Unit 0.5 ms(0)/1 s(1).	0/0
	14:0	SD_SF_DETECT_TIME_8	Detection Time Value—BER: 1×10^{-8} .	5200/1300

Table 94. Line Signal Degrade/Signal Fail Bit Error Rate Detection Time (1×10^{-9}) (R/W)

Address (Hex)	Bit	Name	Description	Reset
1306	15	SD_SF_DETECT_UNIT_9	Time Unit 0.5 ms(0)/1 s(1).	1/0
	14:0	SD_SF_DETECT_TIME_9	Detection Time Value—BER: 1×10^{-9} .	21/10500

Table 95. Line Signal Degrade/Signal Fail Bit Error Rate Detection Time (1×10^{-10}) (R/W)

Address (Hex)	Bit	Name	Description	Reset
1307	15	SD_SF_DETECT_UNIT_10	Time Unit 0.5 ms(0)/1 s(1).	1/1
	14:0	SD_SF_DETECT_TIME_10	Detection Time Value—BER: 1×10^{-10} .	170/41

Table 96. Line Signal Degrade/Signal Fail Detect Error Limit (1×10^{-3}) (R/W)

Address (Hex)	Bit	Name	Description	Reset
1310	15:0	SD_SF_ERR_LIMIT_3	Detect Error Limit—BER: 1×10^{-3} .	4818/19453

Table 97. Line Signal Degrade/Signal Fail Detect Error Limit (1×10^{-4}) (R/W)

Address (Hex)	Bit	Name	Description	Reset
1311	15:0	SD_SF_ERR_LIMIT_4	Detect Error Limit—BER: 1×10^{-4} .	862/3543

Table 98. Line Signal Degrade/Signal Fail Detect Error Limit (1×10^{-5}) (R/W)

Address (Hex)	Bit	Name	Description	Reset
1312	15:0	SD_SF_ERR_LIMIT_5	Detect Error Limit—BER: 1×10^{-5} .	81/358

Microprocessor Interface (continued)

Table 99. Line Signal Degrade/Signal Fail Detect Error Limit (1×10^{-6}) (R/W)

Address (Hex)	Bit	Name	Description	Reset
1313	15:0	SD_SF_ERR_LIMIT_6	Detect Error Limit—BER: 1×10^{-6} .	62/51

Table 100. Line Signal Degrade/Signal Fail Detect Error Limit (1×10^{-7}) (R/W)

Address (Hex)	Bit	Name	Description	Reset
1314	15:0	SD_SF_ERR_LIMIT_7	Detect Error Limit—BER: 1×10^{-7} .	62/51

Table 101. Line Signal Degrade/Signal Fail Detect Error Limit (1×10^{-8}) (R/W)

Address (Hex)	Bit	Name	Description	Reset
1315	15:0	SD_SF_ERR_LIMIT_8	Detect Error Limit—BER: 1×10^{-8} .	51/51

Table 102. Line Signal Degrade/Signal Fail Detect Error Limit (1×10^{-9}) (R/W)

Address (Hex)	Bit	Name	Description	Reset
1316	15:0	SD_SF_ERR_LIMIT_9	Detect Error Limit—BER: 1×10^{-9} .	40/40

Table 103. Line Signal Degrade/Signal Fail Clear Error Limit (1×10^{-4}) (R/W)

Address (Hex)	Bit	Name	Description	Reset
1320	15:0	SD_SF_CLR_ERR_LIMIT_3	Clear Error Limit—BER: 1×10^{-4} .	957/3734

Table 104. Line Signal Degrade/Signal Fail Clear Error Limit (1×10^{-5}) (R/W)

Address (Hex)	Bit	Name	Description	Reset
1321	15:0	SD_SF_CLR_ERR_LIMIT_4	Clear Error Limit—BER: 1×10^{-5} .	114/423

Table 105. Line Signal Degrade/Signal Fail Clear Error Limit (1×10^{-6}) (R/W)

Address (Hex)	Bit	Name	Description	Reset
1322	15:0	SD_SF_CLR_ERR_LIMIT_5	Clear Error Limit—BER: 1×10^{-6} .	91/77

Microprocessor Interface (continued)

Table 106. Line Signal Degrade/Signal Fail Clear Error Limit (1×10^{-7}) (R/W)

Address (Hex)	Bit	Name	Description	Reset
1323	15:0	SD_SF_CLR_ERR_LIMIT_6	Clear Error Limit—BER: 1×10^{-7} .	91/77

Table 107. Line Signal Degrade/Signal Fail Clear Error Limit (1×10^{-8}) (R/W)

Address (Hex)	Bit	Name	Description	Reset
1324	15:0	SD_SF_CLR_ERR_LIMIT_7	Clear Error Limit—BER: 1×10^{-8} .	77/77

Table 108. Line Signal Degrade/Signal Fail Clear Error Limit (1×10^{-9}) (R/W)

Address (Hex)	Bit	Name	Description	Reset
1325	15:0	SD_SF_CLR_ERR_LIMIT_8	Clear Error Limit—BER: 1×10^{-9} .	63/63

Table 109. Line Signal Degrade/Signal Fail Clear Error Limit (1×10^{-10}) (R/W)

Address (Hex)	Bit	Name	Description	Reset
1326	15:0	SD_SF_CLR_ERR_LIMIT_9	Clear Error Limit—BER: 1×10^{-10} .	52/51

LTE Receive Channel 1, 2, 3, and 4 Registers

- Base address: 0x1400
- Channel offset: 0x0100

Table 110. LTE Receive Channel 1 Provisioning (R/W)

Address (Hex)	Bit	Name	Description	Reset
1400	15:8	—	Unused. Program to zero.	0
	7	B1_ERROR_MASK_EN	B1 Error Mask Enable. 1 = ROHDAT B1 byte error mask. 0 = ROHDAT B1 byte.	0
	6	B1_BIP_MODE_1	B1 BIP-8 Mode. 1 = Block error mode. 0 = Bit error mode.	0
	5	K_VALIDATE_LIMIT_SEL_1	K1K2 Validate Select. 1 = Five consecutive frames. 0 = Three consecutive frames.	0
	4	RX_FRM_EN_1	RFRM Output Enable. 1 = Validated S1 byte. 0 = 8 kHz signal.	0
	3	DESCRM_DIS_1	Disable Descrambling LTE Receive Input Signals.	0
	2	ENH_FRMG_CTL_1	Enable Enhanced Framing.	0
	1	SEF_AIS_DIS_1	Disable AIS Generation Due to Severely Errored Frame (SEF).	1
	0	LOF_AIS_DIS_1	Disable AIS Generation Due to Loss of Frame (LOF).	0

Microprocessor Interface (continued)

Table 111. LTE Receive Channel 1 Maintenance (R/W)

Address (Hex)	Bit	Name	Description	Reset
1401	15:7	—	Unused. Program to zero.	0
	6	J_MSG_TYPE_1	J0 Message Type. 1 = SDH. 0 = SONET.	0
	5	J_MSG_MODE_1	J0 Message Mode. 1 = Validated. 0 = Provisioned.	1
	4:2	SD_BER_1	Signal Degrade Bit Error Rate. 4 = 1×10^{-9} . 3 = 1×10^{-8} . 2 = 1×10^{-7} . 1 = 1×10^{-6} . 0 = 1×10^{-5} .	0
	1:0	SF_BER_1	Signal Fail Bit Error Rate. 2 = 1×10^{-5} . 1 = 1×10^{-4} . 0 = 1×10^{-3} .	0

Table 112. LTE Receive Channel 1 Loss-of-Signal (LOS) Threshold (R/W)

Address (Hex)	Bit	Name	Description	Reset
1402	15:10	—	Unused. Program to zero.	0
	9:0	LTE_RX_1_LOS_THRESHOLD1	Threshold to Declare LOS (all zeros), Measured in Multiples of Eight R_CLK_n Cycles.	0x86

Table 113. LTE Receive Channel 1 K Byte Status (RO)

Address (Hex)	Bit	Name	Description	Reset
1403	15:8	RX_K1_VALIDATED_BYTE_1	K1 Byte—Validated (3/5) K1 Bytes.	0
	7:0	RX_K2_VALIDATED_BYTE_1	K2 Byte—Validated (3/5) K2 Bytes.	0

Table 114. LTE Receive Channel 1 S1 Byte Status (RO)

Address (Hex)	Bit	Name	Description	Reset
1404	15:8	—	Unused.	0
	7:0	LTE_RX_1_RX_S1_BYTE_1	S1 Byte—Validated (7) S1 Bytes.	0

Microprocessor Interface (continued)

Table 115. LTE Receive Channel 1 Service-Affecting Interrupt Alarm (W1C)

Address (Hex)	Bit	Name	Description	Reset
1405	15:5	—	Unused. May write ones on clear (W1C) if desired.	0
	4	SD_ALARM_1	Signal Degrade.	0
	3	SF_ALARM_1	Signal Fail.	0
	2	RX_LINE_AIS_ALARM_1	Line AIS.	0
	1	LOF	Loss of Frame.	1
	0	LOS	Loss of Signal.	0

Table 116. LTE Receive Channel 1 Service-Affecting Interrupt Alarm Mask (R/W)

Address (Hex)	Bit	Name	Description	Reset
1406	15:5	—	Unused. Program to zero.	0
	4	SD_ALARM_1_M	Signal Degrade Interrupt Mask. 1 = Enable interrupt. 0 = Mask interrupt.	0
	3	SF_ALARM_1_M	Signal Fail Interrupt Mask. 1 = Enable interrupt. 0 = Mask interrupt.	0
	2	RX_LINE_AIS_ALARM_1_M	Line AIS Interrupt Mask. 1 = Enable interrupt. 0 = Mask interrupt.	0
	1	LOF_M	Loss of Frame Interrupt Mask. 1 = Enable interrupt. 0 = Mask interrupt.	0
	0	LOS_M	Loss of Signal Interrupt Mask. 1 = Enable interrupt. 0 = Mask interrupt.	0

Table 117. LTE Receive Channel 1 Service-Affecting Persistency Alarm (RO)

Address (Hex)	Bit	Name	Description	Reset
1407	15:3	—	Unused.	0
	2	AISL_PER	Persistent Line AIS Alarm.	0
	1	LOF_PER	Persistent LOF Alarm.	1
	0	LOS_PER	Persistent LOS Alarm.	0

Microprocessor Interface (continued)

Table 118. LTE Receive Channel 1 Nonservice-Affecting Interrupt Alarm (W1C)

Address (Hex)	Bit	Name	Description	Reset
1408	15:11	—	Unused. May write ones on clear (W1C) if desired.	0
	10	RX_OH_MEM_PAR_ERR_1	Receive Overhead Data (ROHDAT) Memory Parity Error.	0
	9	J_MEM_PARITY_ERR_1	J0 Message Buffer Parity Error.	0
	8	RX_S1_NEW_BYTE_RAW_INT_1	New Validated S1 Byte Received.	0
	7	RX_K2_NEW_BYTE_RAW_INT_1	New Validated K2 Byte Received.	0
	6	RX_K1_NEW_BYTE_RAW_INT_1	New Validated K1 Byte Received.	0
	5	INCONSISTENT_APS_ALARM_1	Inconsistent APS Byte Received.	0
	4	CHANNEL_MISMATCH_ALARM_1	Receive/Transmit K1K2 Byte Channel Mismatch.	0
	3	RX_LINE_RDI_ALARM_1	Line Remote Defect Indication (RDI-L).	0
	2	J_NEW_MSG_INT_1	New Validated J0 Message Received.	0
	1	J_MSG_MISMATCH_INT_1	Received J0 Message Mismatch (with expected message).	0
	0	SEF	Severely Errored Frame (SEF).	1

Microprocessor Interface (continued)

Table 119. LTE Receive Channel 1 Nonservice-Affecting Interrupt Mask (R/W)

Address (Hex)	Bit	Name	Description	Reset
1409	15:11	—	Unused. Program to zero.	0
	10	RX_OH_MEM_PAR_ERR_1_M	Receive Overhead Data (ROHDAT) Memory Parity Error Interrupt Mask. 1 = Enable interrupt. 0 = Mask interrupt.	0
	9	J_MEM_PARITY_ERR_1_M	J0 Message Buffer Parity Error Interrupt Mask. 1 = Enable interrupt. 0 = Mask interrupt.	0
	8	RX_S1_NEW_BYTE_RAW_INT_1_M	New Validated S1 Byte Received Interrupt Mask. 1 = Enable interrupt. 0 = Mask interrupt.	0
	7	RX_K2_NEW_BYTE_RAW_INT_1_M	New Validated K2 Byte Received Interrupt Mask. 1 = Enable interrupt. 0 = Mask interrupt.	0
	6	RX_K1_NEW_BYTE_RAW_INT_1_M	New Validated K1 Byte Received Interrupt Mask. 1 = Enable interrupt. 0 = Mask interrupt.	0
	5	INCONSISTENT_APS_ALARM_1_M	Inconsistent APS Byte Received Interrupt Mask. 1 = Enable interrupt. 0 = Mask interrupt.	0
	4	CHANNEL_MISMATCH_ALARM_1_M	Receive/Transmit K1K2 Byte Channel Mismatch Interrupt Mask. 1 = Enable interrupt. 0 = Mask interrupt.	0
	3	RX_LINE_RDI_ALARM_1_M	Line Remote Defect Indication (RDI-L) Interrupt Mask. 1 = Enable interrupt. 0 = Mask interrupt.	0
	2	J_NEW_MSG_INT_1_M	New Validated J0 Message Received Interrupt Mask. 1 = Enable interrupt. 0 = Mask interrupt.	0
	1	J_MSG_MISMATCH_INT_1_M	Received J0 Message Mismatch (with Expected) Interrupt Mask. 1 = Enable interrupt. 0 = Mask interrupt.	0
	0	SEF_M	Severely Errored Frame (SEF) Interrupt Mask. 1 = Enable interrupt. 0 = Mask interrupt.	0

Microprocessor Interface (continued)

Table 120. LTE Receive Channel 1 Nonservice-Affecting Persistency Alarm (RO)

Address (Hex)	Bit	Name	Description	Reset
140A	15:6	—	Unused.	0
	5	INCONSISTENT_APS_PER_1	Inconsistent APS Byte Received.	0
	4	CHANNEL_MISMATCH_PER_1	Receive/Transmit K1K2 Byte Channel Mismatch.	0
	3	RX_LINE_RDI_PER_1	Line Remote Defect Indication (RDI-L).	0
	2:0	—	Unused.	0

Table 121. LTE Receive Channel 1 Performance Monitoring (RO)

Address (Hex)	Bit	Name	Description	Reset
140B	15:5	—	Unused.	0
	4	RX_LINE_RDI_PM_1	Line Remote Defect Indication (RDI-L) Detect Last Second.	0
	3	SEF_PM	Severely Errored Frame (SEF) Detect Last Second.	0
	2	RX_LINE_AIS_PM_1	Line AIS (AIS-L) Detect Last Second.	0
	1	LOF_PM	Loss of Frame (LOF) Detect Last Second.	0
	0	LOS_PM	Loss of Signal (LOS) Detect Last Second.	0

Table 122. LTE Receive Channel 1 REI-L Performance Monitoring (L) (RO)

Address (Hex)	Bit	Name	Description	Reset
140C	15:0	REI_L_REG_1_L	Remote Error Indications in Last Second (LSW).	0

Table 123. LTE Receive Channel 1 REI-L Performance Monitoring (U) (RO)

Address (Hex)	Bit	Name	Description	Reset
140D	15:5	—	Unused.	0
	4:0	REI_L_REG_1_U	Remote Error Indications in Last Second (MSW).	0

Table 124. LTE Receive Channel 1 CV-L Performance Monitoring (L) (RO)

Address (Hex)	Bit	Name	Description	Reset
140E	15:0	CV_L_REG_1_L	Line BIP-8 Errors (B2) Errors in Last Second (LSW).	0

Table 125. LTE Receive Channel 1 CV-L Performance Monitoring (U) (RO)

Address (Hex)	Bit	Name	Description	Reset
140F	15:8	—	Unused.	0
	7:0	CV_L_REG_1_U	Line BIP-8 Errors (B2) Errors in Last Second (MSW).	0

Microprocessor Interface (continued)

Table 126. LTE Receive Channel 1 CV-S Performance Monitoring (RO)

Address (Hex)	Bit	Name	Description	Reset
1410	15:0	CV_S_REG_1	Section BIP-8 Errors (B1) in Last Second.	0

LTE Transmit Common Registers

Table 127. LTE Transmit—Frame Pulse Offset Count (R/W)

Address (Hex)	Bit	Name	Description	Reset
1B00	15	ADD_TX_SYNC	Transmit Add Synchronization Enable (ADD_TX_SYNC = 0).	0
	14	TX_FRM_DEJITTER_EN	TFRM Dejitteer Circuit Enable (bit 15 set to 0).	0
	13:0	LTE_TX_FRM_OFFSET_COUNT	Frame Pulse Offset Position (in Multiples of Eight T_CLK Clock Cycles). See the Add Interface Framing (A1 and A2) section on page 82 for details.	0

Table 128. LTE Transmit—Add Interface Self-Sync Option (R/W)

Address (Hex)	Bit	Name	Description	Reset
1B00	15	ADD_TX_SYNC	Transmit Add Synchronization Enable (ADD_TX_SYNC = 1).	1
	14:4	—	Unused (when bit 15 set to 1).	0
	3:0	LTE_TX_FRM_ADDCHNL_SEL	When Bit 15 is Set to 1, Bits 3:0 Select Transmit Frame Sync Add Channel (1—16). See the Add Interface Framing (A1 and A2) section on page 82 for details.	0

Table 129. LTE Transmit—B1 Corrupt Frame Count (R/W)

Address (Hex)	Bit	Name	Description	Reset
1B01	15:13	—	Unused. Program to zero.	0
	12:0	LTE_TX_B1_NUM_CORRUPT_FRAMES	Number of Frames to Corrupt Inserted B1 Byte. Used by register 0x1C00. See Table 135 on page 130.	0

Table 130. LTE Transmit—B2 Corrupt Frame Count (R/W)

Address (Hex)	Bit	Name	Description	Reset
1B02	15:13	—	Unused. Program to zero.	0
	12:0	LTE_TX_B2_NUM_CORRUPT_FRAMES	Number of Frames to Corrupt Inserted B2 Bytes. Used by register 0x1C00. See Table 135 on page 130. B2 Error Serial Access. Enabled when value is greater than or equal to 8064(dec).	0

Microprocessor Interface (continued)

Table 131. LTE Transmit—M1 Corrupt Frame Count (R/W)

Address (Hex)	Bit	Name	Description	Reset
1B03	15:13	—	Unused. Program to zero.	0
	12:0	LTE_TX_M1_NUM_CORRUP T_FRAMES	Number of Frames to Corrupt Inserted M1 Byte. Used by register 0x1C00. See Table 135 on page 130.	0

Table 132. LTE Transmit—TFRM S1 Byte (RO)

Address (Hex)	Bit	Name	Description	Reset
1B04	15:8	—	Unused.	0
	7:0	LTE_TX_S1_BYTE_TX_FRM	Validated S1 Byte from TFRM Signal. See the Synchronization Status (S1) section on page 91 for details.	0

Table 133. LTE Transmit—Interrupt Alarm Register (W1C)

Address (Hex)	Bit	Name	Description	Reset
1B05	15:4	—	Unused. May write ones on clear (W1C) if desired.	0
	3	TX_FRM_RESYNC	TFRM Resynchronization Alarm. Latched alarm. See the Add Interface Framing (A1 and A2) section on page 82 for details.	0
	2	TX_J0_MEM_PARITY_ERR	Transmit J0 Memory Parity Error. See the Section Trace/Section Growth (J0/Z0) section on page 86 for details.	0
	1	TX_FRM_S1_BYTE_INVALID	Valid S1 Byte Not Received. See the Synchronization Status (S1) section on page 91 for details.	0
	0	TX_FRM_LOF	TFRM Loss of Frame. See the Add Interface Framing (A1 and A2) section on page 82 for details.	0

Microprocessor Interface (continued)

Table 134. LTE Transmit—Interrupt Mask Register (R/W)

Address (Hex)	Bit	Name	Description	Reset
1B06	15:4	—	Unused. Program to zero.	0
	3	TX_FRM_RESYNC_M	TFRM Resynchronization Alarm Interrupt Mask. 1 = Enable interrupt. 0 = Mask interrupt.	0
	2	TX_J0_MEM_PARITY_ERR_M	Transmit J0 Memory Parity Error Interrupt Mask. 1 = Enable interrupt. 0 = Mask interrupt.	0
	1	TX_FRM_S1_BYTE_INVALID_M	Valid S1 Byte Not Received Error Interrupt Mask. 1 = Enable interrupt. 0 = Mask interrupt.	0
	0	TX_FRM_LOF_M	TFRM Loss of Frame Error Interrupt Mask. 1 = Enable interrupt. 0 = Mask interrupt.	0

LTE Transmit Channel Registers

- Base address: 0x1C00
- Channel offset: 0x0100

Table 135. LTE Transmit Channel 1 Provisioning (R/W)

Address (Hex)	Bit	Name	Description	Reset
1C00	15:11	—	Unused. Program to zero.	0
	10	TX_SS_OVERWRITE_EN	Enable Insertion of Defined SS Bits in All of the Outgoing H1 Bytes.	0
	9	SS_MODE	SS Bit Mode Define SS Bit. 1 = SDH (10). 0 = SONET (00).	0
	8	REGEN_LOOPBACK	Powerup Default.	0
	7	LINE_TRANS_ONLY_EN	Powerup Default.	0
	6	TOH_TRANS_EN	Powerup Default.	0
	5	SCRM_DIS_1	Disable Scrambling on Transmit Data.	0
	4	M1_CORRUPT_EN_1	Enable Corruption of M1 Byte for N Frames. (The number of frames (N) is selected in register 0x1B03, Table 131 on page 129.)	0
	3	B2_CORRUPT_EN_1	Enable Corruption of B2 Bytes for N Frames. (The number of frames (N) is selected in register 0x1B02, Table 130 on page 128.)	0
	2	B1_CORRUPT_EN_1	Enable Corruption of B1 Byte for N Frames. (The number of frames (N) is selected in register 0x1B01, Table 129 on page 128.)	0
	1	TX_FRAMING_MODE_1	Framing Mode. Enhanced mode is normally used only when in STS-192 mode. 1 = Enhanced. 0 = Normal.	0
0	TX_TOH_DATA_INSERT_1	Enable Transport Overhead Data (TOHDAT) Insertion.	0	

Microprocessor Interface (continued)

Table 136. LTE Transmit Bit Assignment

Bit 7 LINE_TRANS_ONLY_EN	Bit 6 TOH_TRANS_EN	Description
X	0	Section and line terminated (pointer processor state dependent on DRPBYP pin).
0	1	Full section and line overhead transparency (pointer processor bypassed automatically).
1	1	Line overhead transparency section is terminated (pointer processor bypassed).

Note: X indicates either value.

Table 137. LTE Transmit Channel 1 Maintenance (R/W)

Address (Hex)	Bit	Name	Description	Reset
1C01	15:6	—	Unused. Program to zero.	0
	5	TX_J0_MSG_INSERT_EN_1	Enable Insertion of Provisioned J0 Message.	0
	4	S1_BYTE_TX_FRM_INSERT_1	Insert Validated S1 Byte from TFRM.	0
	3:2	TX_K_BYTES_SELECT_1	K Byte Select. SW(0)/Raw K Bytes(1)/Validated K Bytes(2).	0
	1	RDI_L_SELECT_1	Enable RDI-L Insertion. When set to 1, enables RDI-L when a condition arises to cause RDI-L.	0
	0	TX_LINE_AIS_INSERT_1	Force Line AIS Insertion. Forces AIS_L Insertion when set to 1.	0

Table 138. LTE Transmit Channel 1 Path Unequipped (UNEQ-P) Insert Enable #1 (R/W)

Address (Hex)	Bit	Name	Description	Reset
1C02	15:12	—	Unused. Program to zero.	0
	11:0	LTE_TX_1_UNEQ_P_EN_1	Insert UNEQ-P on Specific STS-1 (1 to 12).	0

Table 139. LTE Transmit Channel 1 Path Unequipped (UNEQ-P) Insert Enable #2 (R/W)

Address (Hex)	Bit	Name	Description	Reset
1C03	15:12	—	Unused. Program to zero.	0
	11:0	LTE_TX_1_UNEQ_P_EN_2	Insert UNEQ-P on Specific STS-1 (13 to 24).	0

Table 140. LTE Transmit Channel 1 Path Unequipped (UNEQ-P) Insert Enable #3 (R/W)

Address (Hex)	Bit	Name	Description	Reset
1C04	15:12	—	Unused. Program to zero.	0
	11:0	LTE_TX_1_UNEQ_P_EN_3	Insert UNEQ-P on Specific STS-1 (25 to 36).	0

Microprocessor Interface (continued)

Table 141. LTE Transmit Channel 1 Path Unequipped (UNEQ-P) Insert Enable #4 (R/W)

Address (Hex)	Bit	Name	Description	Reset
1C05	15:12	—	Unused. Program to zero.	0
	11:0	LTE_TX_1_UNEQ_P_EN_4	Insert UNEQ-P on Specific STS-1 (37 to 48).	0

Table 142. LTE Transmit Channel 1 Path AIS (AIS-P) Insert Enable #1 (R/W)

Address (Hex)	Bit	Name	Description	Reset
1C06	15:12	—	Unused. Program to zero.	0
	11:0	LTE_TX_1_PATH_AIS_EN_1	Insert AIS-P on Specific STS-1 (1 to 12).	0

Table 143. LTE Transmit Channel 1 Path AIS (AIS-P) Insert Enable #2 (R/W)

Address (Hex)	Bit	Name	Description	Reset
1C07	15:12	—	Unused. Program to zero.	0
	11:0	LTE_TX_1_PATH_AIS_EN_2	Insert AIS-P on Specific STS-1 (13 to 24).	0

Table 144. LTE Transmit Channel 1 Path AIS (AIS-P) Insert Enable #3 (R/W)

Address (Hex)	Bit	Name	Description	Reset
1C08	15:12	—	Unused. Program to zero.	0
	11:0	LTE_TX_1_PATH_AIS_EN_3	Insert AIS-P on Specific STS-1 (25 to 36).	0

Table 145. LTE Transmit Channel 1 Path AIS (AIS-P) Insert Enable #4 (R/W)

Address (Hex)	Bit	Name	Description	Reset
1C09	15:12	—	Unused. Program to zero.	0
	11:0	LTE_TX_1_PATH_AIS_EN_4	Insert AIS-P on Specific STS-1 (37 to 48).	0

Table 146. LTE Transmit Channel 1 K1K2 Byte Insert Values (R/W)

Address (Hex)	Bit	Name	Description	Reset
1C0A	15:8	TX_K1_SW_BYTE_1	K1 Byte Value to Insert.	0
	7:0	TX_K2_SW_BYTE_1	K2 Byte Value to Insert.	0

Table 147. LTE Transmit Channel 1 S1 Byte Insert Value (R/W)

Address (Hex)	Bit	Name	Description	Reset
1C0B	15:8	—	Unused. Program to zero.	0
	7:0	LTE_TX_1_S1_DATA_1	S1 Byte Value to Insert.	0

Microprocessor Interface (continued)

Table 148. LTE Transmit Channel 1 Interrupt Alarm (W1C)

Address (Hex)	Bit	Name	Description	Reset
1C0C	15:2	—	Unused. May write ones on clear (W1C) if desired.	0
	1	TX_OH_MEM_PARITY_ERR_1	Transport Overhead Data Memory Parity Error.	0
	0	TX_DATA_PAR_ERR_1	Transmit Data Path Internal Parity Error.	0

Table 149. LTE Transmit Channel 1 Interrupt Alarm Mask (R/W)

Address (Hex)	Bit	Name	Description	Reset
1C0D	15:2	—	Unused. Program to zero.	0
	1	TX_OH_MEM_PARITY_ERR_1_M	Transport Overhead Data Memory Parity Error Interrupt Mask. 1 = Enable interrupt. 0 = Mask interrupt.	0
	0	TX_DATA_PAR_ERR_1_M	Transmit Data Path Internal Parity Error Interrupt Mask. 1 = Enable interrupt. 0 = Mask interrupt.	0

Microprocessor Interface (continued)

Equipment (EQPT) Registers

EQPT Common Registers

Table 150. EQPT Interrupt Status (RO)

Address (Hex)	Bit	Name	Description	Reset
2000	15:13	—	Unused.	0
	12	EQPT_RX_DRP_NSA_4	Receive Drop STS-48 Channel Nonservice-Affecting Alarms.	0
	11	EQPT_RX_DRP_NSA_3	Receive Drop STS-48 Channel Nonservice-Affecting Alarms.	0
	10	EQPT_RX_DRP_NSA_2	Receive Drop STS-48 Channel Nonservice-Affecting Alarms.	0
	9	EQPT_RX_DRP_NSA_1	Receive Drop STS-48 Channel Nonservice-Affecting Alarms.	0
	8	EQPT_RX_DRP_SA	Receive Drop Common Service-Affecting Alarms.	0
	7	EQPT_TX_ADD_NSA_4	Transmit Add STS-48 Channel 4 Nonservice-Affecting Alarms.	0
	6	EQPT_TX_ADD_NSA_3	Transmit Add STS-48 Channel 3 Nonservice-Affecting Alarms.	0
	5	EQPT_TX_ADD_NSA_2	Transmit Add STS-48 Channel 2 Nonservice-Affecting Alarms.	0
	4	EQPT_TX_ADD_NSA_1	Transmit Add STS-48 Channel 1 Nonservice-Affecting Alarms.	0
	3	EQPT_TX_ADD_SA_4	Transmit Add STS-48 Channel 4 Service-Affecting Alarms.	0
	2	EQPT_TX_ADD_SA_3	Transmit Add STS-48 Channel 3 Service-Affecting Alarms.	0
	1	EQPT_TX_ADD_SA_2	Transmit Add STS-48 Channel 2 Service-Affecting Alarms.	0
	0	EQPT_TX_ADD_SA_1	Transmit Add STS-48 Channel 1 Service-Affecting Alarms.	0

Microprocessor Interface (continued)

Table 151. EQPT Interrupt Mask (R/W)

Address (Hex)	Bit	Name	Description	Reset
2001	15:13	—	Unused. Program to zero.	0
	12	EQPT_RX_DRP_NSA_4_M	Receive Drop STS-48 Channel Nonser-vice-Affecting Alarms Interrupt Mask. 1 = Enable interrupt. 0 = Mask interrupt.	0
	11	EQPT_RX_DRP_NSA_3_M	Receive Drop STS-48 Channel Nonser-vice-Affecting Alarms Interrupt Mask. 1 = Enable interrupt. 0 = Mask interrupt.	0
	10	EQPT_RX_DRP_NSA_2_M	Receive Drop STS-48 Channel Nonser-vice-Affecting Alarms Interrupt Mask. 1 = Enable interrupt. 0 = Mask interrupt.	0
	9	EQPT_RX_DRP_NSA_1_M	Receive Drop STS-48 Channel Nonser-vice-Affecting Alarms Interrupt Mask. 1 = Enable interrupt. 0 = Mask interrupt.	0
	8	EQPT_RX_DRP_SA_M	Receive Drop Common Service-Affecting Alarms Interrupt Mask. 1 = Enable interrupt. 0 = Mask interrupt.	0
	7	EQPT_TX_ADD_NSA_4_M	Transmit Add STS-48 Channel 4 Nonser-vice-Affecting Alarms Interrupt Mask. 1 = Enable interrupt. 0 = Mask interrupt.	0
	6	EQPT_TX_ADD_NSA_3_M	Transmit Add STS-48 Channel 3 Nonser-vice-Affecting Alarms Interrupt Mask. 1 = Enable interrupt. 0 = Mask interrupt.	0
	5	EQPT_TX_ADD_NSA_2_M	Transmit Add STS-48 Channel 2 Nonser-vice-Affecting Alarms Interrupt Mask. 1 = Enable interrupt. 0 = Mask interrupt.	0
	4	EQPT_TX_ADD_NSA_1_M	Transmit Add STS-48 Channel 1 Nonser-vice-Affecting Alarms Interrupt Mask. 1 = Enable interrupt. 0 = Mask interrupt.	0
	3	EQPT_TX_ADD_SA_4_M	Transmit Add STS-48 Channel 4 Ser-vice-Affecting Alarms Interrupt Mask. 1 = Enable interrupt. 0 = Mask interrupt.	0
	2	EQPT_TX_ADD_SA_3_M	Transmit Add STS-48 Channel 3 Ser-vice-Affecting Alarms Interrupt Mask. 1 = Enable interrupt. 0 = Mask interrupt.	0

Microprocessor Interface (continued)

Table 151. EQPT Interrupt Mask (R/W) (continued)

Address (Hex)	Bit	Name	Description	Reset
2001	1	EQPT_TX_ADD_SA_2_M	Transmit Add STS-48 Channel 2 Service-Affecting Alarms Interrupt Mask. 1 = Enable interrupt. 0 = Mask interrupt.	0
	0	EQPT_TX_ADD_SA_1_M	Transmit Add STS-48 Channel 1 Service-Affecting Alarms Interrupt Mask. 1 = Enable interrupt. 0 = Mask interrupt.	0

Table 152. Receive Drop Common Service-Affecting Alarm (W1C)

Address (Hex)	Bit	Name	Description	Reset
2002	15:1	—	Unused. May write ones on clear (W1C) if desired.	0
	0	DFRM_LOSS	Loss of DFRM Signal. 1 = Loss of DFRM. 0 = DFRM detected.	0

Table 153. Receive Drop Common Service-Affecting Alarm Mask (R/W)

Address (Hex)	Bit	Name	Description	Reset
2003	15:1	—	Unused. Program to zero.	0
	0	DFRM_LOSS_M	Loss of DFRM Signal Interrupt Mask. 1 = Enable interrupt. 0 = Mask interrupt.	0

Microprocessor Interface (continued)

EQPT Receive Drop STS-48 Channel Registers 1—4

- Base address: 0x2400
- Channel offset: 0x0100

Table 154. Receive Drop STS-48 Channel Provisioning Register 1 (R/W)

Address (Hex)	Bit	Name	Description	Reset
2400	15:2	—	Unused. Program to zero.	0
	1	B1_ERROR_INS	Insert BIP-8 Error. 1 = Insert a BIP-8 error.	0
	0	SCRM_DISABLE	Scrambler Disable. 1 = Disables the receive drop interface scrambler. 0 = Enables the receive drop interface scrambler.	0

Table 155. J0 Trace—STS-12 Channel 1 (R/W)

Address (Hex)	Bit	Name	Description	Reset
2401	15:8	—	Unused. Program to zero.	0
	7:0	J0_BYTE_1	J0 Byte for Insert in STS-12 Channel 1.	1

Table 156. J0 Trace—STS-12 Channel 2 (R/W)

Address (Hex)	Bit	Name	Description	Reset
2402	15:8	—	Unused. Program to zero.	0
	7:0	J0_BYTE_2	J0 Byte for Insert in STS-12 Channel 2.	2

Table 157. J0 Trace—STS-12 Channel 3 (R/W)

Address (Hex)	Bit	Name	Description	Reset
2403	15:8	—	Unused. Program to zero.	0
	7:0	J0_BYTE_3	J0 Byte for Insert in STS-12 Channel 3.	3

Table 158. J0 Trace—STS-12 Channel 4 (R/W)

Address (Hex)	Bit	Name	Description	Reset
2404	15:8	—	Unused. Program to zero.	0
	7:0	J0_BYTE_4	J0 Byte for Insert in STS-12 Channel 4.	4

Microprocessor Interface (continued)

Table 159. Receive Drop STS-48 Channel Nonservice-Affecting Alarm (W1C)

Address (Hex)	Bit	Name	Description	Reset
2405	15:5	—	Unused. May write ones on clear (W1C) if desired.	0
	4	RX_DATA_PAR_ERR_4	Data Path Parity Error Timing Control Channel.	0
	3	RX_DATA_PAR_ERR_3	Data Path Parity Error STS-12 Channel 3.	0
	2	RX_DATA_PAR_ERR_2	Data Path Parity Error STS-12 Channel 2.	0
	1	RX_DATA_PAR_ERR_1	Data Path Parity Error STS-12 Channel 1.	0
	0	RX_DATA_PAR_ERR_0	Data Path Parity Error STS-12 Channel 0.	0

Table 160. Receive Drop STS-48 Channel Nonservice Affecting Alarm Mask (R/W)

Address (Hex)	Bit	Name	Description	Reset
2406	15:5	—	Unused. Program to zero.	0
	4	RX_DATA_PAR_ERR_4_M	Data Path Parity Error Timing Control Channel Interrupt Mask. 1 = Enable interrupt. 0 = Mask interrupt.	0
	3	RX_DATA_PAR_ERR_3_M	Data Path Parity Error STS-12 Channel 3 Interrupt Mask. 1 = Enable interrupt. 0 = Mask interrupt.	0
	2	RX_DATA_PAR_ERR_2_M	Data Path Parity Error STS-12 Channel 2 Interrupt Mask. 1 = Enable interrupt. 0 = Mask interrupt.	0
	1	RX_DATA_PAR_ERR_1_M	Data Path Parity Error STS-12 Channel 1 Interrupt Mask. 1 = Enable interrupt. 0 = Mask interrupt.	0
	0	RX_DATA_PAR_ERR_0_M	Data Path Parity Error STS-12 Channel 0 Interrupt Mask. 1 = Enable interrupt. 0 = Mask interrupt.	0

Microprocessor Interface (continued)

EQPT Transmit Add STS-48 Channel Registers 1—4

- Base address: 0x2C00
- Channel offset: 0x0100

Table 161. Transmit Add STS-48 Channel Provisioning (R/W)

Address (Hex)	Bit	Name	Description	Reset
2C00	15:2	—	Unused. Program to zero.	0
	1	FRC_ADD_BUFFER_OVRFLW	Force Add Buffer Overflow/Underflow Alarm in STS-12s. 1 = Force an add buffer overflow/underflow alarm. 0 = Normal operation.	0
	0	DESCRM_DISABLE	Descrambler Disable. 1 = Disables the transmit add interface scrambler. 0 = Enables the transmit add interface scrambler.	0

Table 162. J0 Status Register—1 (RO)

Address (Hex)	Bit	Name	Description	Reset
2C01	15:8	—	Unused.	0
	7:0	J0_BYTE—STS-12 Channel 1	J0 Status Byte.	0

Table 163. J0 Status Register—2 (RO)

Address (Hex)	Bit	Name	Description	Reset
2C02	15:8	—	Unused.	0
	7:0	J0_BYTE—STS-12 Channel 2	J0 Status Byte.	0

Table 164. J0 Status Register—3 (RO)

Address (Hex)	Bit	Name	Description	Reset
2C03	15:8	—	Unused.	0
	7:0	J0_BYTE—STS-12 Channel 3	J0 Status Byte.	0

Table 165. J0 Status Register—4 (RO)

Address (Hex)	Bit	Name	Description	Reset
2C04	15:8	—	Unused.	0
	7:0	J0_BYTE—STS-12 Channel 4	J0 Status Byte.	0

Microprocessor Interface (continued)

Table 166. AIS Insert Status Register, STS-12 Channel #1 (RO)

Address (Hex)	Bit	Name	Description	Reset
2C05	15:12	—	Unused.	0
	11	AIS_INSERT11	STS Channel #12 AIS Insert Status.	0
	10	AIS_INSERT10	STS Channel #11 AIS Insert Status.	0
	9	AIS_INSERT9	STS Channel #10 AIS Insert Status.	0
	8	AIS_INSERT8	STS Channel #9 AIS Insert Status.	0
	7	AIS_INSERT7	STS Channel #8 AIS Insert Status.	0
	6	AIS_INSERT6	STS Channel #7 AIS Insert Status.	0
	5	AIS_INSERT5	STS Channel #6 AIS Insert Status.	0
	4	AIS_INSERT4	STS Channel #5 AIS Insert Status.	0
	3	AIS_INSERT3	STS Channel #4 AIS Insert Status.	0
	2	AIS_INSERT2	STS Channel #3 AIS Insert Status.	0
	1	AIS_INSERT1	STS Channel #2 AIS Insert Status.	0
0	AIS_INSERT0	STS Channel #1 AIS Insert Status.	0	

Table 167. AIS Insert Status Register, STS-12 Channel #2 (RO)

Address (Hex)	Bit	Name	Description	Reset
2C06	15:12	—	Unused.	0
	11	AIS_INSERT11	STS Channel #12 AIS Insert Status.	0
	10	AIS_INSERT10	STS Channel #11 AIS Insert Status.	0
	9	AIS_INSERT9	STS Channel #10 AIS Insert Status.	0
	8	AIS_INSERT8	STS Channel #9 AIS Insert Status.	0
	7	AIS_INSERT7	STS Channel #8 AIS Insert Status.	0
	6	AIS_INSERT6	STS Channel #7 AIS Insert Status.	0
	5	AIS_INSERT5	STS Channel #6 AIS Insert Status.	0
	4	AIS_INSERT4	STS Channel #5 AIS Insert Status.	0
	3	AIS_INSERT3	STS Channel #4 AIS Insert Status.	0
	2	AIS_INSERT2	STS Channel #3 AIS Insert Status.	0
	1	AIS_INSERT1	STS Channel #2 AIS Insert Status.	0
0	AIS_INSERT0	STS Channel #1 AIS Insert Status.	0	

Microprocessor Interface (continued)

Table 168. AIS Insert Status Register, STS-12 Channel #3 (RO)

Address (Hex)	Bit	Name	Description	Reset
2C07	15:12	—	Unused.	0
	11	AIS_INSERT11	STS Channel #12 AIS Insert Status.	0
	10	AIS_INSERT10	STS Channel #11 AIS Insert Status.	0
	9	AIS_INSERT9	STS Channel #10 AIS Insert Status.	0
	8	AIS_INSERT8	STS Channel #9 AIS Insert Status.	0
	7	AIS_INSERT7	STS Channel #8 AIS Insert Status.	0
	6	AIS_INSERT6	STS Channel #7 AIS Insert Status.	0
	5	AIS_INSERT5	STS Channel #6 AIS Insert Status.	0
	4	AIS_INSERT4	STS Channel #5 AIS Insert Status.	0
	3	AIS_INSERT3	STS Channel #4 AIS Insert Status.	0
	2	AIS_INSERT2	STS Channel #3 AIS Insert Status.	0
	1	AIS_INSERT1	STS Channel #2 AIS Insert Status.	0
0	AIS_INSERT0	STS Channel #1 AIS Insert Status.	0	

Table 169. AIS Insert Status Register, STS-12 Channel #4 (RO)

Address (Hex)	Bit	Name	Description	Reset
2C08	15:12	—	Unused.	0
	11	AIS_INSERT11	STS Channel #12 AIS Insert Status.	0
	10	AIS_INSERT10	STS Channel #11 AIS Insert Status.	0
	9	AIS_INSERT9	STS Channel #10 AIS Insert Status.	0
	8	AIS_INSERT8	STS Channel #9 AIS Insert Status.	0
	7	AIS_INSERT7	STS Channel #8 AIS Insert Status.	0
	6	AIS_INSERT6	STS Channel #7 AIS Insert Status.	0
	5	AIS_INSERT5	STS Channel #6 AIS Insert Status.	0
	4	AIS_INSERT4	STS Channel #5 AIS Insert Status.	0
	3	AIS_INSERT3	STS Channel #4 AIS Insert Status.	0
	2	AIS_INSERT2	STS Channel #3 AIS Insert Status.	0
	1	AIS_INSERT1	STS Channel #2 AIS Insert Status.	0
0	AIS_INSERT0	STS Channel #1 AIS Insert Status.	0	

Microprocessor Interface (continued)

Table 170. Transmit Add STS-48 Channel Alarm (W1C)

Address (Hex)	Bit	Name	Description	Reset
2C09	15	—	Unused. May write ones on clear (W1C) if desired.	0
	14	B1_ERROR_4	BIP-8 Error STS-12 Channel 4—NSA.	0
	13	ADD12_BUFFER_OVRFLW_4	Synchronization Buffer Overflow/Underflow STS-12 Channel 4—NSA.	0
	12	OOF_4	Out-of-Frame Alarm STS-12 Channel 4—SA.	0
	11	—	Unused. May write ones on clear (W1C) if desired.	0
	10	B1_ERROR_3	BIP-8 Error STS-12 Channel 3—NSA.	0
	9	ADD12_BUFFER_OVRFLW_3	Synchronization Buffer Overflow/Underflow STS-12 Channel 3—NSA.	0
	8	OOF_3	Out-of-Frame Alarm STS-12 Channel 3—SA.	0
	7	—	Unused. May write ones on clear (W1C) if desired.	0
	6	B1_ERROR_2	BIP-8 Error STS-12 Channel 2—NSA.	0
	5	ADD12_BUFFER_OVRFLW_2	Synchronization Buffer Overflow/Underflow STS-12 Channel 2—NSA.	0
	4	OOF_2	Out-of-Frame Alarm STS-12 Channel 2—SA.	0
	3	—	Unused. May write ones on clear (W1C) if desired.	0
	2	B1_ERROR_1	BIP-8 Error STS-12 Channel 1—NSA.	0
	1	ADD12_BUFFER_OVRFLW_1	Synchronization Buffer Overflow/Underflow STS-12 Channel 1—NSA.	0
	0	OOF_1	Out-of-Frame Alarm STS-12 Channel 1—SA.	0

Microprocessor Interface (continued)

Table 171. Transmit Add STS-48 Channel Alarm Mask (R/W)

Address (Hex)	Bit	Name	Description	Reset
2C0A	15	—	Unused. Program to zero.	0
	14	B1_ERROR_4_M	BIP-8 Error STS-12 Channel 4—NSA Interrupt Mask. 1 = Enable interrupt. 0 = Mask interrupt.	0
	13	ADD12_BUFFER_OVRFLW_4_M	Synchronization Buffer Overflow/Underflow STS-12 Channel 4—NSA Interrupt Mask. 1 = Enable interrupt. 0 = Mask interrupt.	0
	12	OOF_4_M	Out-of-Frame Alarm STS-12 Channel 4—SA interrupt Mask. 1 = Enable interrupt. 0 = Mask interrupt.	0
	11	—	Unused. Program to zero.	0
	10	B1_ERROR_3_M	BIP-8 Error STS-12 Channel 3—NSA Interrupt Mask. 1 = Enable interrupt. 0 = Mask interrupt.	0
	9	ADD12_BUFFER_OVRFLW_3_M	Synchronization Buffer Overflow/Underflow STS-12 Channel 3—NSA Interrupt Mask. 1 = Enable interrupt. 0 = Mask interrupt.	0
	8	OOF_3_M	Out-of-Frame Alarm STS-12 Channel 3—SA Interrupt Mask. 1 = Enable interrupt. 0 = Mask interrupt.	0
	7	—	Unused. Program to zero.	0
	6	B1_ERROR_2_M	BIP-8 Error STS-12 Channel 2—NSA Interrupt Mask. 1 = Enable interrupt. 0 = Mask interrupt.	0
	5	ADD12_BUFFER_OVRFLW_2_M	Synchronization Buffer Overflow/Underflow STS-12 Channel 2—NSA Interrupt Mask. 1 = Enable interrupt. 0 = Mask interrupt.	0
	4	OOF_2_M	Out-of-Frame Alarm STS-12 Channel 2—SA Interrupt Mask. 1 = Enable interrupt. 0 = Mask interrupt.	0
	3	—	Unused. Program to zero.	0
	2	B1_ERROR_1_M	BIP-8 Error STS-12 Channel 1—NSA Interrupt Mask. 1 = Enable interrupt. 0 = Mask interrupt.	0
	1	ADD12_BUFFER_OVRFLW_1_M	Synchronization Buffer Overflow/Underflow STS-12 Channel 1—NSA Interrupt Mask. 1 = Enable interrupt. 0 = Mask interrupt.	0
	0	OOF_1_M	Out-of-Frame Alarm STS-12 Channel 1—SA Interrupt Mask. 1 = Enable interrupt. 0 = Mask interrupt.	0

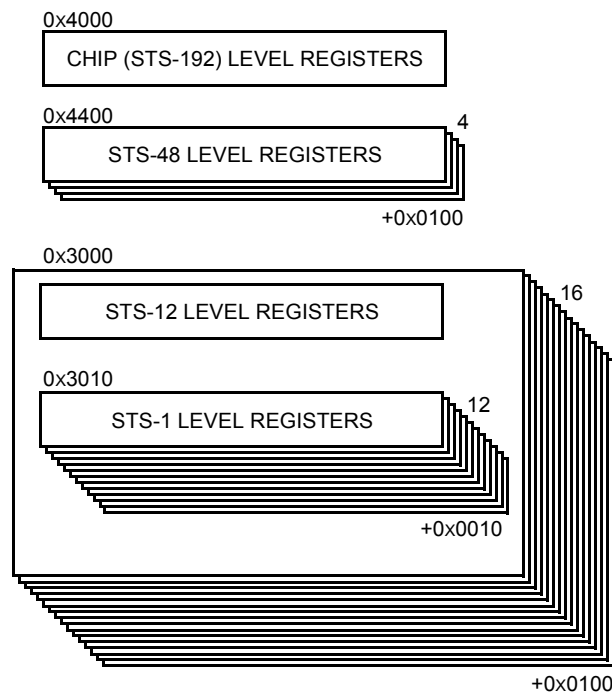
Microprocessor Interface (continued)

Path Overhead (POH) Registers

Registers pertaining to the path are organized as shown in Figure 11. As can be seen, some functions are performed at the STS-1 level. Registers for these functions are arranged as a group of 12 and then grouped with functions that are performed at the STS-12 level. This group is repeated 16 times in the memory map. Functions that are performed at the STS-48 level are also grouped together.

In the diagram, the numbers to the top left of each box represent the base address of registers in the first occurrence of that block of registers. The numbers to the bottom right represent the offset to the next occurrence of that block of registers. Note that register offsets refer to SONET number, not interleave order (i.e., STS-1 number two is one offset from STS-1 number 1).

For example, to find the base address of the STS-1 level registers for STS-1 number 77, take 0x3010, add six times 0x0100 (since STS-1 number 77 is in the seventh STS-12), and then add 4 times 0x0010 (since STS-1 number 77 is the fifth STS-1 in the STS-12), and the result is 0x3650.



5-9097(F)r.1

Figure 11. Path Register Structure

Microprocessor Interface (continued)

STS-12, STS-1 Level POH Registers

- Base address: 0x3000
- STS-12 channel offset: 0x0100
- STS-1 channel offset: 0x0010

Table 172. STS-12 Pointer Processor Provisioning, STS-1 #1 to STS-1 #12 (R/W)

Address (Hex)	Bit	Name	Description	Reset
3000	15:4	—	Unused. Program to zero.	0
	5	AUTO_AIS_DIS	Disable Automatic AIS Insertion. Note: It is recommended that automatic AIS insertion remain enabled unless in pointer generator bypass mode. 1 = Disable automatic AIS insertion. 0 = Enable automatic AIS insertion.	0
	4	INT_SONET_SDH	Pointer Increment/Decrement Standard. 1 = SONET. The 8 of 10 rule will be used. Eight of the ten I and D bits must be correct for the pointer to be considered an increment or decrement. 0 = SDH. The 3 of 5 rule is used. Three of the five I and D bits must be correct for the pointer to be considered an increment or decrement.	0
	3:0	INT_INC_BIN	STS-1 Increment/Decrement Binning Select.	1

Table 173. STS-12 Pointer Processor Maintenance, STS-1 #1 to STS-1 #12 (R/W)

Address (Hex)	Bit	Name	Description	Reset
3001	15:12	—	Unused. Program to zero.	0
	11	PP_CH_SW_AIS_INS_12	STS-1 #12 AIS Insert.	0
	10:0	PP_CH_SW_AIS_INS_11— PP_CH_SW_AIS_INS_1	STS-1 #11 to STS-1 #1 AIS Insert.	0

Table 174. STS-12 Pointer Interpreter PM, Last Second Increments, STS-1 #1 to STS-1 #12 (RO)

Address (Hex)	Bit	Name	Description	Reset
3002	15:11	—	Unused.	0
	10:0	PP_CH_INT_INC_PM	Last Second Increments on Selected Pointer Interpreter.	0

Microprocessor Interface (continued)

Table 175. STS-12 Pointer Interpreter PM, Last Second Decrements, STS-1 #1 to STS-1 #12 (RO)

Address (Hex)	Bit	Name	Description	Reset
3003	15:11	—	Unused.	0
	10:0	PP_CH_INT_DEC_PM	Last Second Decrements on Selected Pointer Interpreter.	0

Table 176. STS-12 Pointer Generator PM, Last Second Increments, STS-1 #1 to STS-1 #12 (RO)

Address (Hex)	Bit	Name	Description	Reset
3004	15:11	—	Unused.	0
	10:0	PP_CH_GEN_INC_PM	Last Second Increments on Selected Pointer Generator.	0

Table 177. STS-12 Pointer Generator PM, Last Second Decrements, STS-1 #1 to STS-1 #12 (RO)

Address (Hex)	Bit	Name	Description	Reset
3005	15:11	—	Unused.	0
	10:0	PP_CH_GEN_DEC_PM	Last Second Decrements on Selected Pointer Generator.	0

Table 178. STS-1 #1 Path Overhead Provisioning (R/W)

Address (Hex)	Bit	Name	Description	Reset
3010	15:8	PROV_STS1_EXP_C2	Expected C2 Byte.	0
	7:2	—	Unused. Program to zero.	0
	1	CNT_BLK_ERRS	Count B3 BIP-8 Errors, and G1 RDI-P and REI-P Errors. 1 = Block. 0 = Bit.	0
	0	PDI_EN	Enable Payload Defect Indicator.	0

Table 179. STS-1 #1 Path Overhead Maintenance (R/W)

Address (Hex)	Bit	Name	Description	Reset
3011	15:4	—	Unused. Program to zero.	0
	3	SD_INSERT	Insert Signal Degrade.	0
	2:0	SF_THRESH_SEL	Signal Fail Threshold Select (selects 1 of 8 SF detect/clear register sets at STS-192 level).	0

Microprocessor Interface (continued)

Table 180. STS-1 #1 Path Overhead Status (RO)

Address (Hex)	Bit	Name	Description	Reset
3012	15:11	—	Unused.	0
	10:8	RCV_RDI_CODE	Received RDI-P Code (currently validated (raw) RDI-P; may differ from PM register).	0
	7:0	RCV_C2_BYTE	Received C2 Byte.	0

Table 181. STS-1 #1 Alarm Interrupt Status (W1C)

Address (Hex)	Bit	Name	Description	Reset
3013	15:7	—	Unused. May write ones on clear (W1C) if desired.	0
	6	ES_OVRUN	Elastic Store Overrun/Underrun.	0
	5	SIG_FAIL	Signal Fail.	0
	4	RDI_P	Remote Defect Indicator.	0
	3	PLM_P	Payload Label Mismatch.	0
	2	UNEQ_P	Unequipped Received.	0
	1	AIS_P	AIS Received.	0
	0	LOP_P	Loss of Pointer.	0

Table 182. STS-1 #1 Alarm Interrupt Status Mask (R/W)

Address (Hex)	Bit	Name	Description	Reset
3014	15:7	—	Unused. Program to zero.	0
	6	ES_OVRUN_M	Elastic Store Overrun/Underrun Interrupt Mask. 1 = Enable interrupt. 0 = Mask interrupt.	0
	5	SIG_FAIL_M	Signal Fail Interrupt Mask. 1 = Enable interrupt. 0 = Mask interrupt.	0
	4	RDI_P_M	Remote Defect Indicator Interrupt Mask. 1 = Enable interrupt. 0 = Mask interrupt.	0
	3	PLM_P_M	Payload Label Mismatch Interrupt Mask. 1 = Enable interrupt. 0 = Mask interrupt.	0
	2	UNEQ_P_M	Unequipped Received Interrupt Mask. 1 = Enable interrupt. 0 = Mask interrupt.	0
	1	AIS_P_M	AIS Received Interrupt Mask. 1 = Enable interrupt. 0 = Mask interrupt.	0
	0	LOP_P_M	Loss of Pointer Interrupt Mask. 1 = Enable interrupt. 0 = Mask interrupt.	0

Microprocessor Interface (continued)

Table 183. STS-1 #1 Alarm Persistency (RO)

Address (Hex)	Bit	Name	Description	Reset
3015	15:5	—	Unused.	0
	4	RDI_P_PERS	Remote Defect Indicator Persistent.	0
	3	PLM_P_PERS	Payload Label Mismatch Persistent.	0
	2	UNEQ_P_PERS	Unequipped Received Persistent.	0
	1	AIS_P_PERS	AIS Received Persistent.	0
	0	LOP_P_PERS	Loss of Pointer Persistent.	0

Table 184. STS-1 #1 PM Last Second Indicators (RO)

Address (Hex)	Bit	Name	Description	Reset
3016	15:7	—	Unused.	0
	6	RDI_ONE_BIT	1-bit RDI-P Defect.	0
	5	ERDI_PYLD	ERDI-P Payload Defect.	0
	4	ERDI_CONN	ERDI-P Connectivity Defect.	0
	3	ERDI_SRVR	ERDI-P Server Defect.	0
	2	UNEQ	UNEQ-P Received.	0
	1	AIS	AIS-P Received.	0
	0	LOP	Loss of Pointer.	0

Table 185. STS-1 #1 Last Second CV-P Count (RO)

Address (Hex)	Bit	Name	Description	Reset
3017	15:0	PM_STS1_CVP_CNT	CV-P Count.	0

Table 186. STS-1 #1 Last Second REI-P Count (RO)

Address (Hex)	Bit	Name	Description	Reset
3018	15:0	PM_STS1_REIP_CNT	REI-P Count.	0

Microprocessor Interface (continued)

STS-192 Level POH Registers

- Base address: 0x4000

Table 187. Path Overhead (POH) Interrupt Status (RO)

Address (Hex)	Bit	Name	Description	Reset
4000	15	STS48_CH4_ALARMS4	STS-48 Channel 4 Path Alarms.	0
	14	STS48_CH4_ALARMS3	STS-48 Channel 3 Path Alarms.	0
	13	STS48_CH4_ALARMS2	STS-48 Channel 2 Path Alarms.	0
	12	STS48_CH4_ALARMS1	STS-48 Channel 1 Path Alarms.	0
	11:0	STS1_CH_ALARMS	STS-1 Channel Alarms (points to registers consolidating alarms per STS-1).	0

Table 188. Path Overhead (POH) Interrupt Status Mask (R/W)

Address (Hex)	Bit	Name	Description	Reset
4001	15	STS48_CH4_ALARMS4_M	STS-48 Channel 4 Path Alarms Interrupt Mask. 1 = Enable interrupt. 0 = Mask interrupt.	0
	14	STS48_CH4_ALARMS3_M	STS-48 Channel 3 Path Alarms Interrupt Mask. 1 = Enable interrupt. 0 = Mask interrupt.	0
	13	STS48_CH4_ALARMS2_M	STS-48 Channel 2 Path Alarms Interrupt Mask. 1 = Enable interrupt. 0 = Mask interrupt.	0
	12	STS48_CH4_ALARMS1_M	STS-48 Channel 1 Path Alarms Interrupt Mask. 1 = Enable interrupt. 0 = Mask interrupt.	0
	11:0	STS1_CH_ALARMS_M	STS-1 Channel Alarms (points to registers consolidating alarms per STS-1) Interrupt Mask. 1 = Enable interrupt. 0 = Mask interrupt.	0

Microprocessor Interface (continued)

Table 189. STS-1 Signal Fail Detect Threshold, Window Size Select 0 (R/W)

Address (Hex)	Bit	Name	Description	Reset
4002	15:14	SF_STS1_DET_WIN_SEL_0	Window Size Select (chooses one of four SF window size registers).	1
	13:9	—	Unused. Program to zero.	0
	8:0	SF_STS1_DET_THRESH_0	Detect Threshold.	CF

Table 190. STS-1 Signal Fail Clear Threshold, Window Size Select 0 (R/W)

Address (Hex)	Bit	Name	Description	Reset
4003	15:14	SF_STS1_CLR_WIN_SEL_0	Window Size Select (chooses one of four SF window size registers).	2
	13:9	—	Unused. Program to zero.	0
	8:0	SF_STS1_CLR_THRESH_0	Clear Threshold.	113

Table 191. STS-1 Signal Fail Detect Threshold, Window Size Select 1 (R/W)

Address (Hex)	Bit	Name	Description	Reset
4004	15:14	SF_STS1_DET_WIN_SEL_1	Window Size Select (chooses one of four SF window size registers).	2
	13:9	—	Unused. Program to zero.	0
	8:0	SF_STS1_DET_THRESH_1	Detect Threshold.	DE

Table 192. STS-1 Signal Fail Clear Threshold, Window Size Select 1 (R/W)

Address (Hex)	Bit	Name	Description	Reset
4005	15:14	SF_STS1_CLR_WIN_SEL_1	Window Size Select (chooses one of four SF window size registers).	3
	13:9	—	Unused. Program to zero.	0
	8:0	SF_STS1_CLR_THRESH_1	Clear Threshold.	115

Microprocessor Interface (continued)

Table 193. STS-Nc Signal Fail Detect Threshold, Window Size Select 2 (R/W)

Address (Hex)	Bit	Name	Description	Reset
4006	15:14	SF_STSNc_DET_WIN_SEL_2	Window Size Select (chooses one of four SF window size registers).	1
	13:0	SF_STs1_DET_THRESH_2	Detect Threshold.	233

Table 194. STS-Nc Signal Fail Clear Threshold, Window Size Select 2 (R/W)

Address (Hex)	Bit	Name	Description	Reset
4007	15:14	SF_STSNc_CLR_WIN_SEL_2	Window Size Select (chooses one of four SF window size registers).	2
	13:0	SF_STs1_CLR_THRESH_2	Clear Threshold.	30B

Table 195. STS-Nc Signal Fail Detect Threshold, Window Size Select 3 (R/W)

Address (Hex)	Bit	Name	Description	Reset
4008	15:14	SF_STSNc_DET_WIN_SEL_3	Window Size Select (chooses one of four SF window size registers).	2
	13:0	SF_STs1_DET_THRESH_3	Detect Threshold.	2B2

Table 196. STS-Nc Signal Fail Clear Threshold, Window Size Select 3 (R/W)

Address (Hex)	Bit	Name	Description	Reset
4009	15:14	SF_STSNc_CLR_WIN_SEL_3	Window Size Select (chooses one of four SF window size registers).	3
	13:0	SF_STs1_CLR_THRESH_3	Clear Threshold.	31B

Microprocessor Interface (continued)

Table 197. STS-Nc Signal Fail Detect Threshold, Window Size Select 4 (R/W)

Address (Hex)	Bit	Name	Description	Reset
400A	15:14	SF_STSNc_DET_WIN_SEL_4	Window Size Select (chooses one of four SF window size registers).	1
	13:0	SF_STs1_DET_THRESH_4	Detect Threshold.	3A3

Table 198. STS-Nc Signal Fail Clear Threshold, Window Size Select 4 (R/W)

Address (Hex)	Bit	Name	Description	Reset
400B	15:14	SF_STSNc_CLR_WIN_SEL_4	Window Size Select (chooses one of four SF window size registers).	2
	13:0	SF_STs1_CLR_THRESH_4	Clear Threshold.	5D8

Table 199. STS-Nc Signal Fail Detect Threshold, Window Size Select 5 (R/W)

Address (Hex)	Bit	Name	Description	Reset
400C	15:14	SF_STSNc_DET_WIN_SEL_5	Window Size Select (chooses one of four SF window size registers).	2
	13:0	SF_STs1_DET_THRESH_5	Detect Threshold.	55E

Table 200. STS-Nc Signal Fail Clear Threshold, Window Size Select 5 (R/W)

Address (Hex)	Bit	Name	Description	Reset
400D	15:14	SF_STSNc_CLR_WIN_SEL_5	Window Size Select (chooses one of four SF window size registers).	3
	13:0	SF_STs1_CLR_THRESH_5	Clear Threshold.	618

Table 201. STS-Nc Signal Fail Detect Threshold, Window Size Select 6 (R/W)

Address (Hex)	Bit	Name	Description	Reset
400E	15:14	SF_STSNc_DET_WIN_SEL_6	Window Size Select (chooses one of four SF window size registers).	1
	13:0	SF_STs1_DET_THRESH_6	Detect Threshold.	51D

Table 202. STS-Nc Signal Fail Clear Threshold, Window Size Select 6 (R/W)

Address (Hex)	Bit	Name	Description	Reset
400F	15:14	SF_STSNc_CLR_WIN_SEL_6	Window Size Select (chooses one of four SF window size registers).	2
	13:0	SF_STs1_CLR_THRESH_6	Clear Threshold.	B08

Microprocessor Interface (continued)

Table 203. STS-Nc Signal Fail Detect Threshold, Window Size Select 7 (R/W)

Address (Hex)	Bit	Name	Description	Reset
4010	15:14	SF_STSNc_DET_WIN_SEL_7	Window Size Select (chooses one of four SF window size registers).	2
	13:0	SF_STs1_DET_THRESH_7	Detect Threshold.	A62

Table 204. STS-Nc Signal Fail Clear Threshold, Window Size Select 7 (R/W)

Address (Hex)	Bit	Name	Description	Reset
4011	15:14	SF_STSNc_CLR_WIN_SEL_7	Window Size Select (chooses one of four SF window size registers).	3
	13:0	SF_STs1_CLR_THRESH_7	Clear Threshold.	BFC

Table 205. Signal Fail Window Size 0 (R/W)

Address (Hex)	Bit	Name	Description	Reset
4012	15:0	SF_WIN_SIZE_0	Signal Fail Window Size (in 0.5 ms increments).	A

Table 206. Signal Fail Window Size 1 (R/W)

Address (Hex)	Bit	Name	Description	Reset
4013	15:0	SF_WIN_SIZE_1	Signal Fail Window Size (in 0.5 ms increments).	64

Table 207. Signal Fail Window Size 2 (R/W)

Address (Hex)	Bit	Name	Description	Reset
4014	15:0	SF_WIN_SIZE_2	Signal Fail Window Size (in 0.5 ms increments).	3E8

Table 208. Signal Fail Window Size 3 (R/W)

Address (Hex)	Bit	Name	Description	Reset
4015	15:0	SF_WIN_SIZE_3	Signal Fail Window Size (in 0.5 ms increments).	2710

Microprocessor Interface (continued)

STS-192 Level Path Trace Registers

- Base address: 0x4100

The operation of the path trace registers is identical to the operation of the section trace registers. Refer to the section trace registers for a description on how to use the path trace registers.

Table 209. Path Trace Access Control (R/W)

Address (Hex)	Bit	Name	Description	Reset
4100	15:4	—	Unused. Program to zero.	0
	3:2	CH_SEL	STS-48 Channel Select for J1. 3 = Channel 4. 2 = Channel 3. 1 = Channel 2. 0 = Channel 1.	0
	1	BUF_MSG_SEL	J1 Buffer Message Type Select. 1 = Compare value. 0 = Received message.	0
	0	BUF_RNW	J1 Buffer Access Mode. 1 = Write. 0 = Read.	0

Table 210. Path Trace Access Complete Status (W1C)

Address (Hex)	Bit	Name	Description	Reset
4101	15:1	—	Unused. May write ones on clear (W1C) if desired.	0
	0	J1_AXS_DONE	J1 Access Done.	0

Table 211. Path Trace Access Start

Address (Hex)	Bit	Name	Description	Reset
4102	15:1	—	Unused. May write ones on clear (W1C) if desired.	0
	0	J1_AXS_START	Begin J1 Access.	0

Table 212. Path Trace Buffer Word #1—Word #32

Address (Hex)	Bit	Name	Description	Reset
4110—412F	15:0	J1_UP_BUFFERn	Path Trace Bytes.	0

Microprocessor Interface (continued)

STS-48 Level POH Registers

- Base address: 0x4400
- STS-48 channel offset: 0x0100

Table 213. STS-1 Channel Interrupt Status, STS-1 #1 to STS-1 #16 (RO)

Address (Hex)	Bit	Name	Description	Reset
4400	15	CH_ISR_BIT15	STS-1 #16 Interrupt Alarm.	0
	14	CH_ISR_BIT14	STS-1 #15 Interrupt Alarm.	0
	13	CH_ISR_BIT13	STS-1 #14 Interrupt Alarm.	0
	12	CH_ISR_BIT12	STS-1 #13 Interrupt Alarm.	0
	11	CH_ISR_BIT11	STS-1 #12 Interrupt Alarm.	0
	10	CH_ISR_BIT10	STS-1 #11 Interrupt Alarm.	0
	9	CH_ISR_BIT9	STS-1 #10 Interrupt Alarm.	0
	8	CH_ISR_BIT8	STS-1 #9 Interrupt Alarm.	0
	7	CH_ISR_BIT7	STS-1 #8 Interrupt Alarm.	0
	6	CH_ISR_BIT6	STS-1 #7 Interrupt Alarm.	0
	5	CH_ISR_BIT5	STS-1 #6 Interrupt Alarm.	0
	4	CH_ISR_BIT4	STS-1 #5 Interrupt Alarm.	0
	3	CH_ISR_BIT3	STS-1 #4 Interrupt Alarm.	0
	2	CH_ISR_BIT2	STS-1 #3 Interrupt Alarm.	0
	1	CH_ISR_BIT1	STS-1 #2 Interrupt Alarm.	0
	0	CH_ISR_BIT0	STS-1 #1 Interrupt Alarm.	0

Table 214. STS-1 Channel Interrupt Status Mask, STS-1 #1 to STS-1 #16 (R/W)

Address (Hex)	Bit	Name	Description	Reset
4401	15	CH_ISR_BIT15_M	STS-1 #16 Interrupt Mask. 1 = Enable interrupt. 0 = Mask interrupt.	0
	14	CH_ISR_BIT14_M	STS-1 #15 Interrupt Mask. 1 = Enable interrupt. 0 = Mask interrupt.	0
	13	CH_ISR_BIT13_M	STS-1 #14 Interrupt Mask. 1 = Enable interrupt. 0 = Mask interrupt.	0
	12	CH_ISR_BIT12_M	STS-1 #13 Interrupt Mask. 1 = Enable interrupt. 0 = Mask interrupt.	0
	11	CH_ISR_BIT11_M	STS-1 #12 Interrupt Mask. 1 = Enable interrupt. 0 = Mask interrupt.	0

Microprocessor Interface (continued)

Table 214. STS-1 Channel Interrupt Status Mask, STS-1 #1 to STS-1 #16 (R/W) (continued)

Address (Hex)	Bit	Name	Description	Reset
4401	10	CH_ISR_BIT10_M	STS-1 #11 Interrupt Mask. 1 = Enable interrupt. 0 = Mask interrupt.	0
	9	CH_ISR_BIT9_M	STS-1 #10 Interrupt Mask. 1 = Enable interrupt. 0 = Mask interrupt.	0
	8	CH_ISR_BIT8_M	STS-1 #9 Interrupt Mask. 1 = Enable interrupt. 0 = Mask interrupt.	0
	7	CH_ISR_BIT7_M	STS-1 #8 Interrupt Mask. 1 = Enable interrupt. 0 = Mask interrupt.	0
	6	CH_ISR_BIT6_M	STS-1 #7 Interrupt Mask. 1 = Enable interrupt. 0 = Mask interrupt.	0
	5	CH_ISR_BIT5_M	STS-1 #6 Interrupt Mask. 1 = Enable interrupt. 0 = Mask interrupt.	0
	4	CH_ISR_BIT4_M	STS-1 #5 Interrupt Mask. 1 = Enable interrupt. 0 = Mask interrupt.	0
	3	CH_ISR_BIT3_M	STS-1 #4 Interrupt Mask. 1 = Enable interrupt. 0 = Mask interrupt.	0
	2	CH_ISR_BIT2_M	STS-1 #3 Interrupt Mask. 1 = Enable interrupt. 0 = Mask interrupt.	0
	1	CH_ISR_BIT1_M	STS-1 #2 Interrupt Mask. 1 = Enable interrupt. 0 = Mask interrupt.	0
	0	CH_ISR_BIT0_M	STS-1 #1 Interrupt Mask. 1 = Enable interrupt. 0 = Mask interrupt.	0

Microprocessor Interface (continued)

Table 215. STS-1 Channel Interrupt Status, STS-1 #17 to STS-1 #32 (RO)

Address (Hex)	Bit	Name	Description	Reset
4402	15	CH_ISR_BIT15	STS-1 #32 Interrupt Alarm.	0
	14	CH_ISR_BIT14	STS-1 #31 Interrupt Alarm.	0
	13	CH_ISR_BIT13	STS-1 #30 Interrupt Alarm.	0
	12	CH_ISR_BIT12	STS-1 #29 Interrupt Alarm.	0
	11	CH_ISR_BIT11	STS-1 #28 Interrupt Alarm.	0
	10	CH_ISR_BIT10	STS-1 #27 Interrupt Alarm.	0
	9	CH_ISR_BIT9	STS-1 #26 Interrupt Alarm.	0
	8	CH_ISR_BIT8	STS-1 #25 Interrupt Alarm.	0
	7	CH_ISR_BIT7	STS-1 #24 Interrupt Alarm.	0
	6	CH_ISR_BIT6	STS-1 #23 Interrupt Alarm.	0
	5	CH_ISR_BIT5	STS-1 #22 Interrupt Alarm.	0
	4	CH_ISR_BIT4	STS-1 #21 Interrupt Alarm.	0
	3	CH_ISR_BIT3	STS-1 #20 Interrupt Alarm.	0
	2	CH_ISR_BIT2	STS-1 #19 Interrupt Alarm.	0
	1	CH_ISR_BIT1	STS-1 #18 Interrupt Alarm.	0
	0	CH_ISR_BIT0	STS-1 #17 Interrupt Alarm.	0

Microprocessor Interface (continued)

Table 216. STS-1 Channel Interrupt Status Mask, STS-1 #17 to STS-1 #32 (R/W)

Address (Hex)	Bit	Name	Description	Reset
4403	15	CH_ISR_BIT15_M	STS-1 #32 Interrupt Mask. 1 = Enable interrupt. 0 = Mask interrupt.	0
	14	CH_ISR_BIT14_M	STS-1 #31 Interrupt Mask. 1 = Enable interrupt. 0 = Mask interrupt.	0
	13	CH_ISR_BIT13_M	STS-1 #30 Interrupt Mask. 1 = Enable interrupt. 0 = Mask interrupt.	0
	12	CH_ISR_BIT12_M	STS-1 #29 Interrupt Mask. 1 = Enable interrupt. 0 = Mask interrupt.	0
	11	CH_ISR_BIT11_M	STS-1 #28 Interrupt Mask. 1 = Enable interrupt. 0 = Mask interrupt.	0
	10	CH_ISR_BIT10_M	STS-1 #27 Interrupt Mask. 1 = Enable interrupt. 0 = Mask interrupt.	0
	9	CH_ISR_BIT9_M	STS-1 #26 Interrupt Mask. 1 = Enable interrupt. 0 = Mask interrupt.	0
	8	CH_ISR_BIT8_M	STS-1 #25 Interrupt Mask. 1 = Enable interrupt. 0 = Mask interrupt.	0
	7	CH_ISR_BIT7_M	STS-1 #24 Interrupt Mask. 1 = Enable interrupt. 0 = Mask interrupt.	0
	6	CH_ISR_BIT6_M	STS-1 #23 Interrupt Mask. 1 = Enable interrupt. 0 = Mask interrupt.	0
	5	CH_ISR_BIT5_M	STS-1 #22 Interrupt Mask. 1 = Enable interrupt. 0 = Mask interrupt.	0

Microprocessor Interface (continued)

Table 216. STS-1 Channel Interrupt Status Mask, STS-1 #17 to STS-1 #32 (R/W) (continued)

Address (Hex)	Bit	Name	Description	Reset
4403	4	CH_ISR_BIT4_M	STS-1 #21 Interrupt Mask. 1 = Enable interrupt. 0 = Mask interrupt.	0
	3	CH_ISR_BIT3_M	STS-1 #20 Interrupt Mask. 1 = Enable interrupt. 0 = Mask interrupt.	0
	2	CH_ISR_BIT2_M	STS-1 #19 Interrupt Mask. 1 = Enable interrupt. 0 = Mask interrupt.	0
	1	CH_ISR_BIT1_M	STS-1 #18 Interrupt Mask. 1 = Enable interrupt. 0 = Mask interrupt.	0
	0	CH_ISR_BIT0_M	STS-1 #17 Interrupt Mask. 1 = Enable interrupt. 0 = Mask interrupt.	0

Table 217. STS-1 Channel Interrupt Status, STS-1 #33 to STS-1 #48 (RO)

Address (Hex)	Bit	Name	Description	Reset
4404	15	CH_ISR_BIT15	STS-1 #48 Interrupt Alarm.	0
	14	CH_ISR_BIT14	STS-1 #47 Interrupt Alarm.	0
	13	CH_ISR_BIT13	STS-1 #46 Interrupt Alarm.	0
	12	CH_ISR_BIT12	STS-1 #45 Interrupt Alarm.	0
	11	CH_ISR_BIT11	STS-1 #44 Interrupt Alarm.	0
	10	CH_ISR_BIT10	STS-1 #43 Interrupt Alarm.	0
	9	CH_ISR_BIT9	STS-1 #42 Interrupt Alarm.	0
	8	CH_ISR_BIT8	STS-1 #41 Interrupt Alarm.	0
	7	CH_ISR_BIT7	STS-1 #40 Interrupt Alarm.	0
	6	CH_ISR_BIT6	STS-1 #39 Interrupt Alarm.	0
	5	CH_ISR_BIT5	STS-1 #38 Interrupt Alarm.	0
	4	CH_ISR_BIT4	STS-1 #37 Interrupt Alarm.	0
	3	CH_ISR_BIT3	STS-1 #36 Interrupt Alarm.	0
	2	CH_ISR_BIT2	STS-1 #35 Interrupt Alarm.	0
	1	CH_ISR_BIT1	STS-1 #34 Interrupt Alarm.	0
0	CH_ISR_BIT0	STS-1 #33 Interrupt Alarm.	0	

Microprocessor Interface (continued)

Table 218. STS-1 Channel Interrupt Status Mask, STS-1 #33 to STS-1 #48 (R/W)

Address (Hex)	Bit	Name	Description	Reset
4405	15	CH_ISR_BIT15_M	STS-1 #48 Interrupt Mask. 1 = Enable interrupt. 0 = Mask interrupt.	0
	14	CH_ISR_BIT14_M	STS-1 #47 Interrupt Mask. 1 = Enable interrupt. 0 = Mask interrupt.	0
	13	CH_ISR_BIT13_M	STS-1 #46 Interrupt Mask. 1 = Enable interrupt. 0 = Mask interrupt.	0
	12	CH_ISR_BIT12_M	STS-1 #45 Interrupt Mask. 1 = Enable interrupt. 0 = Mask interrupt.	0
	11	CH_ISR_BIT11_M	STS-1 #44 Interrupt Mask. 1 = Enable interrupt. 0 = Mask interrupt.	0
	10	CH_ISR_BIT10_M	STS-1 #43 Interrupt Mask. 1 = Enable interrupt. 0 = Mask interrupt.	0
	9	CH_ISR_BIT9_M	STS-1 #42 Interrupt Mask. 1 = Enable interrupt. 0 = Mask interrupt.	0
	8	CH_ISR_BIT8_M	STS-1 #41 Interrupt Mask. 1 = Enable interrupt. 0 = Mask interrupt.	0
	7	CH_ISR_BIT7_M	STS-1 #40 Interrupt Mask. 1 = Enable interrupt. 0 = Mask interrupt.	0
	6	CH_ISR_BIT6_M	STS-1 #39 Interrupt Mask. 1 = Enable interrupt. 0 = Mask interrupt.	0
	5	CH_ISR_BIT5_M	STS-1 #38 Interrupt Mask. 1 = Enable interrupt. 0 = Mask interrupt.	0
	4	CH_ISR_BIT4_M	STS-1 #37 Interrupt Mask. 1 = Enable interrupt. 0 = Mask interrupt.	0
	3	CH_ISR_BIT3_M	STS-1 #36 Interrupt Mask. 1 = Enable interrupt. 0 = Mask interrupt.	0
	2	CH_ISR_BIT2_M	STS-1 #35 Interrupt Mask. 1 = Enable interrupt. 0 = Mask interrupt.	0

Microprocessor Interface (continued)

Table 218. STS-1 Channel Interrupt Status Mask, STS-1 #33 to STS-1 #48 (R/W) (continued)

Address (Hex)	Bit	Name	Description	Reset
4405	1	CH_ISR_BIT1_M	STS-1 #34 Interrupt Mask. 1 = Enable interrupt. 0 = Mask interrupt.	0
	0	CH_ISR_BIT0_M	STS-1 #33 Interrupt Mask. 1 = Enable interrupt. 0 = Mask interrupt.	0

Table 219. STS-48 Channel Path Trace Control (R/W)

Address (Hex)	Bit	Name	Description	Reset
4406	15:10	—	Unused. Program to zero.	0
	9	MODE_SEL	J1 Message Mode Select. 1 = Validated mode. 0 = Provisioned mode.	0
	8	TYPE_SEL	J1 Message Type Select. 1 = SDH. 0 = SONET.	0
	7:6	—	Unused. Program to zero.	0
	5:0	STS48_CH_J1_STS_SEL	STS-1 # Select for J1 Accumulation (1—48; other values disable the feature).	0

Table 220. S/W Concatenation Map STS-1 #1 to STS-1 #12 (R/W)

Address (Hex)	Bit	Name	Description	Reset
4407	15:12	—	Unused. Program to zero.	0
	11	SW_CONC_MAP_STS12	STS-1 #12 Concatenation Map Bit.	0
	10:0	SW_CONC_MAP_STS11— SW_CONC_MAP_STS1	STS-1 #11 to STS-1 #1 Concatenation Map Bits.	0

Table 221. S/W Concatenation Map STS-1 #13 to STS-1 #24 (R/W)

Address (Hex)	Bit	Name	Description	Reset
4408	15:12	—	Unused. Program to zero.	0
	11	SW_CONC_MAP_STS24	STS-1 #24 Concatenation Map Bit.	0
	10:0	SW_CONC_MAP_STS23— SW_CONC_MAP_STS13	STS-1 #23 to STS-1 #13 Concatenation Map Bits.	0

Microprocessor Interface (continued)

Table 222. S/W Concatenation Map STS-1 #25 to STS-1 #36 (R/W)

Address (Hex)	Bit	Name	Description	Reset
4409	15:12	—	Unused. Program to zero.	0
	11	SW_CONC_MAP_STS36	STS-1 #36 Concatenation Map Bit.	0
	10:0	SW_CONC_MAP_STS35— SW_CONC_MAP_STS25	STS-1 #35 to STS-1 #25 Concatenation Map Bits.	0

Table 223. S/W Concatenation Map STS-1 #37 to STS-1 #48 (R/W)

Address (Hex)	Bit	Name	Description	Reset
440A	15:12	—	Unused. Program to zero.	0
	11	SW_CONC_MAP_STS48	STS-1 #48 Concatenation Map Bit.	0
	10:0	SW_CONC_MAP_STS47— SW_CONC_MAP_STS37	STS-1 #47 to STS-1 #37 Concatenation Map Bits.	0

Table 224. S/W Concatenation Mask STS-1 #1 to STS-1 #12 (R/W)

Address (Hex)	Bit	Name	Description	Reset
440B	15:12	—	Unused. Program to zero.	0
	11	SW_CONC_MASK_STS12	STS-1 #12 Concatenation Mask Bit.	0
	10:0	SW_CONC_MASK_STS11— SW_CONC_MASK_STS1	STS-1 #11 to STS-1 #1 Concatenation Mask Bits.	0

Table 225. S/W Concatenation Mask STS-1 #13 to STS-1 #24 (R/W)

Address (Hex)	Bit	Name	Description	Reset
440C	15:12	—	Unused. Program to zero.	0
	11	SW_CONC_MASK_STS24	STS-1 #24 Concatenation Mask Bit.	0
	10:0	SW_CONC_MASK_STS23— SW_CONC_MASK_STS13	STS-1 #23 to STS-1 #13 Concatenation Mask Bits.	0

Table 226. S/W Concatenation Mask STS-1 #25 to STS-1 #36 (R/W)

Address (Hex)	Bit	Name	Description	Reset
440D	15:12	—	Unused. Program to zero.	0
	11	SW_CONC_MASK_STS36	STS-1 #36 Concatenation Mask Bit.	0
	10:0	SW_CONC_MASK_STS35— SW_CONC_MASK_STS25	STS-1 #35 to STS-1 #25 Concatenation Mask Bits.	0

Microprocessor Interface (continued)

Table 227. S/W Concatenation Mask STS-1 #37 to STS-1 #48 (R/W)

Address (Hex)	Bit	Name	Description	Reset
440E	15:12	—	Unused. Program to zero.	0
	11	SW_CONC_MASK_STS48	STS-1 #48 Concatenation Mask Bit.	0
	10:0	SW_CONC_MASK_STS47— SW_CONC_MASK_STS37	STS-1 #47 to STS-1 #37 Concatenation Mask Bits.	0

Table 228. Received Concatenation Map STS-1 #1 to STS-1 #12 (RO)

Address (Hex)	Bit	Name	Description	Reset
440F	15:12	—	Unused. Program to zero.	0
	11	RECD_CONC_MAP_STS12	STS-1 #12 Received Concatenation Map Bit.	0
	10:0	RECD_CONC_MAP_STS11— RECD_CONC_MAP_STS1	STS-1 #11 to STS-1 #1 Received Concatenation Map Bits.	0

Table 229. Received Concatenation Map STS-1 #13 to STS-1 #24 (RO)

Address (Hex)	Bit	Name	Description	Reset
4410	15:12	—	Unused. Program to zero.	0
	11	RECD_CONC_MAP_STS24	STS-1 #24 Received Concatenation Map Bit.	0
	10:0	RECD_CONC_MAP_STS23— RECD_CONC_MAP_STS13	STS-1 #23 to STS-1 #13 Received Concatenation Map Bits.	0

Table 230. Received Concatenation Map STS-1 #25 to STS-1 #36 (RO)

Address (Hex)	Bit	Name	Description	Reset
4411	15:12	—	Unused. Program to zero.	0
	11	RECD_CONC_MAP_STS36	STS-1 #36 Received Concatenation Map Bit.	0
	10:0	RECD_CONC_MAP_STS35— RECD_CONC_MAP_STS25	STS-1 #35 to STS-1 #25 Received Concatenation Map Bits.	0

Table 231. Received Concatenation Map STS-1 #37 to STS-1 #48 (RO)

Address (Hex)	Bit	Name	Description	Reset
4412	15:12	—	Unused. Program to zero.	0
	11	RECD_CONC_MAP_STS48	STS-1 #48 Received Concatenation Map Bit.	0
	10:0	RECD_CONC_MAP_STS47— RECD_CONC_MAP_STS37	STS-1 #47 to STS-1 #37 Received Concatenation Map Bits.	0

Microprocessor Interface (continued)

Table 232. STS-48 Channel Path Alarms 1 (W1C)

Address (Hex)	Bit	Name	Description	Reset
4413	15:12	—	Unused. May write ones on clear (W1C) if desired.	0
	11	CONC_MAP_MMCH_4	Concatenation Map Mismatch in STS-1 #37—STS-1 #48.	0
	10	CONC_MAP_MMCH_3	Concatenation Map Mismatch in STS-1 #25—STS-1 #36.	0
	9	CONC_MAP_MMCH_2	Concatenation Map Mismatch in STS-1 #13—STS-1 #24.	0
	8	CONC_MAP_MMCH_1	Concatenation Map Mismatch in STS-1 #1—STS-1 #12.	0
	7	UNSUPP_CONC_MAP_4	Unsupported Concatenation in STS-1 #37—STS-1 #48.	0
	6	UNSUPP_CONC_MAP_3	Unsupported Concatenation in STS-1 #25—STS-1 #36.	0
	5	UNSUPP_CONC_MAP_2	Unsupported Concatenation in STS-1 #13—STS-1 #24.	0
	4	UNSUPP_CONC_MAP_1	Unsupported Concatenation in STS-1 #1—STS-1 #12.	0
	3	—	Unused. May write ones on clear (W1C) if desired.	0
	2	J1_BUF_PAR_ERR	J1 Memory Parity Error.	0
	1	J1_NEW_MSG	J1 New Validated Message.	0
	0	J1_MSG_MMCH	J1 Message Mismatch.	0

Microprocessor Interface (continued)

Table 233. STS-48 Channel Path Alarms 1 Mask (W1C)

Address (Hex)	Bit	Name	Description	Reset
4414	15:12	—	Unused. May write ones on clear (W1C) if desired.	0
	11	CONC_MAP_MMCH_4_M	Concatenation Map Mismatch in STS-1 #37—STS-1 #48 Interrupt Mask. 1 = Enable interrupt. 0 = Mask interrupt.	0
	10	CONC_MAP_MMCH_3_M	Concatenation Map Mismatch in STS-1 #25—STS-1 #36 Interrupt Mask. 1 = Enable interrupt. 0 = Mask interrupt.	0
	9	CONC_MAP_MMCH_2_M	Concatenation Map Mismatch in STS-1 #13—STS-1 #24 Interrupt Mask. 1 = Enable interrupt. 0 = Mask interrupt.	0
	8	CONC_MAP_MMCH_1_M	Concatenation Map Mismatch in STS-1 #1—STS-1 #12 Interrupt Mask. 1 = Enable interrupt. 0 = Mask interrupt.	0
	7	UNSUPP_CONC_MAP_4_M	Unsupported Concatenation in STS-1 #37—STS-1 #48 Interrupt Mask. 1 = Enable interrupt. 0 = Mask interrupt.	0
	6	UNSUPP_CONC_MAP_3_M	Unsupported Concatenation in STS-1 #25—STS-1 #36 Interrupt Mask. 1 = Enable interrupt. 0 = Mask interrupt.	0
	5	UNSUPP_CONC_MAP_2_M	Unsupported Concatenation in STS-1 #13—STS-1 #24 Interrupt Mask. 1 = Enable interrupt. 0 = Mask interrupt.	0
	4	UNSUPP_CONC_MAP_1_M	Unsupported Concatenation in STS-1 #1—STS-1 #12 Interrupt Mask. 1 = Enable interrupt. 0 = Mask interrupt.	0
	3	—	Unused. May write ones on clear (W1C) if desired.	0
	2	J1_BUF_PAR_ERR_M	J1 Memory Parity Error Interrupt Mask. 1 = Enable interrupt. 0 = Mask interrupt.	0
	1	J1_NEW_MSG_M	J1 New Validated Message Interrupt Mask. 1 = Enable interrupt. 0 = Mask interrupt.	0
	0	J1_MSG_MMCH_M	J1 Message Mismatch Interrupt Mask. 1 = Enable interrupt. 0 = Mask interrupt.	0

Absolute Maximum Ratings

Stresses in excess of the absolute maximum ratings can cause permanent or latent damage to the device. These are absolute stress ratings only. Functional operation of the device is not implied at these or any other conditions in excess of those given in the operational sections of this device specification. Exposure to absolute maximum ratings for extended periods can adversely affect device reliability.

Table 234. Absolute Maximum Ratings

Parameter	Symbol	Min	Typ	Max	Unit
dc Supply Voltage:					
3.3 V Power	VDD	-0.5	3.3	3.8	V
2.5 V Power	VDD2	-0.5	2.5	3.0	V
Analog Power	VDDA	-0.5	3.3	3.8	V
Storage Temperature	T _{stg}	-65	—	125	°C
Maximum Power Dissipation:					
3.3 V Power Supply	P _{D3}	—	—	6.7 ¹	W
2.5 V Power Supply	P _{D2}	—	—	3.5	W

1. The maximum power dissipation for the five analog power supply inputs is 350 mW (5 × 70 mW each). This total is included in P_{D3}.

Handling Precautions

Although protection circuitry has been designed into this device, proper precautions should be taken to avoid exposure to electrostatic discharge (ESD) during handling and mounting. Agere Systems Inc. employs a human-body model (HBM) and charged-device model (CDM) for ESD-susceptibility testing and protection design evaluation. ESD voltage thresholds are dependent on the circuit parameters used in the defined model. No industry-wide standard has been adopted for the CDM. However, a standard HBM (resistance = 1500 Ω, capacitance = 100 pF) is widely used and, therefore, can be used for comparison purposes. The HBM ESD threshold presented here was obtained by using these circuit parameters.

Device	Model	Voltage
TSOT0410G4	HBM	TBD
	CDM (corner pins)	TBD
	CDM (noncorner pins)	TBD

Recommended Operating Conditions

Table 235. Recommended Operating Conditions

Parameter	Symbol	Min	Typ	Max	Unit
Junction Temperature Range	T _J	-40	—	125	°C
Ambient Operating Temperature Range	T _A	-40	—	85	°C
3.3 V Power Supply	VDD	3.135	3.3	3.465	V
2.5 V Power Supply	VDD2	2.375	2.5	2.625	V
Analog Power Supply	VDDA	3.135	3.3	3.465	V

Recommended Operating Conditions (continued)

- The TSOT0410G4 is packaged in a 9-layer LPGA. The heat sink is not grounded in the TSOT0410G4.
- The thermal resistance junction to case, θ_{JC} , of the 600-pin LPGA package is 0.4 °C/W.
- The thermal resistance junction to ambient (to the nearest 0.5 °C/W), θ_{JA} , of the 600-pin LPGA package is given in Table 236.

Table 236. Thermal Resistance—Junction to Ambient

Air Speed in Linear Feet per Minute (LFPM)	θ_{JA} (°C/W)
JEDEC Standard Natural Convection	9
0	8.5
200	6.5
500	6
800	5

Electrical Characteristics

Power Sequencing

The device power may be applied concurrently to both voltage level inputs. If power sequencing is used for other devices on a board or in a system, it is preferred that the highest voltage be applied first and removed last.

Low-Voltage Differential Signal (LVDS) Buffers

The LVDS buffers are compliant with the *EIA-644* standard. The only exception to compliance with this standard is associated with the input leakage current. The LVDS input buffers have an input leakage current of 300 μ A maximum.

The LVDS buffers are also compliant to the *IEEE 1596.3* standard. The only exception to compliance with this standard is the input termination resistance. The LVDS input buffers have an input termination resistance of 80 Ω —135 Ω .

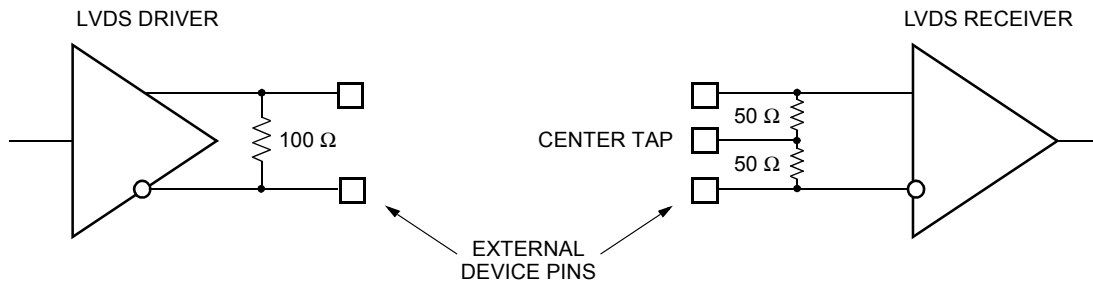
The LVDS outputs are hot-swap compatible, and can be connected to other vendor's LVDS I/O buffers. The maximum input current for the Agere LVDS input buffers is 9 mA. Prolonged exposure to higher current levels will have an impact on long-term reliability.

CML or open collector transmitters cannot be directly connected to the TSOT0410G4 LVDS inputs. This is not possible, since up to four LVDS inputs share one center tap line with one center tap pin. The 10 μ m center tap line is relatively long in the TSOT0410G4; therefore, resistances and capacitances cannot be ignored.

Unused LVDS inputs may be left unconnected. There are internal pull-up resistors (nominal 14 k Ω) that pull open inputs to greater than 2.75 Vdc (the common mode range is 0 Vdc to 2.4 Vdc). A sense circuit becomes active for input voltages above 2.75 Vdc and clamps the buffer output to a defined state. Open inputs will not oscillate for this reason.

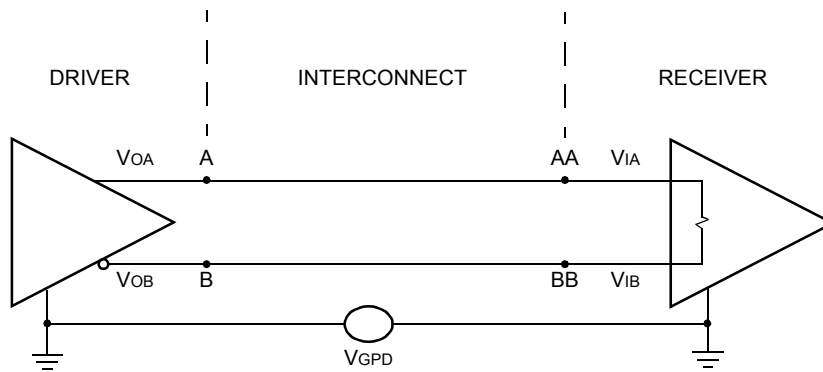
For board layout, LVDS traces should be run on controlled-impedance layers, and should be specified as 50 Ω line-to-ground. The LVDS buffers support point-to-point connections. They are not intended for bused implementations.

Electrical Characteristics (continued)



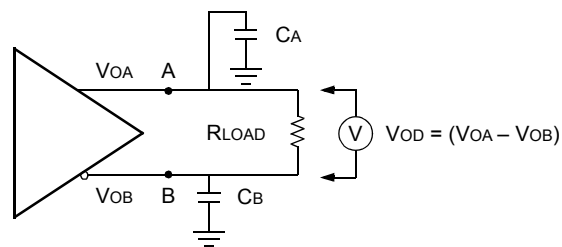
5-8703(F)

Figure 12. LVDS Driver and Receiver and Associated Internal Components



5-8704(F)

Figure 13. LVDS Driver and Receiver



5-8705(F)

Figure 14. LVDS Driver

Electrical Characteristics (continued)

LVDS Receiver Buffer Capabilities

A disabled or unpowered LVDS receiver can withstand a driving LVDS transmitter over the full range of driver operating range, for an unlimited period of time, without being damaged. Table 237 illustrates LVDS driver dc data, Table 238 the ac data, and Table 240 on page 170 the LVDS receiver data.

Note: $V_{DD} = 3.1\text{ V}—3.5\text{ V}$, $0\text{ }^{\circ}\text{C}—125\text{ }^{\circ}\text{C}$, slow-fast process.

Table 237. LVDS Driver dc Data

Parameter	Symbol	Conditions	Min	Typ	Max	Unit
Driver Output Voltage High, V_{OA} or V_{OB}	V_{OH}	$R_{LOAD} = 100\ \Omega \pm 1\%$.	—	—	1.500^1	V
Driver Output Voltage Low, V_{OA} or V_{OB}	V_{OL}	$R_{LOAD} = 100\ \Omega \pm 1\%$.	0.925^1	—	—	V
Driver Output Differential Voltage $V_{OD} = (V_{OA} - V_{OB})$ (with external reference resistor)	$ V_{OD} $	$R_{LOAD} = 100\ \Omega \pm 1\%$.	0.25	—	0.45^1	V
Driver Output Offset Voltage $V_{OS} = (V_{OA} + V_{OB})/2$	V_{OS}	$R_{LOAD} = 100\ \Omega \pm 1\%$, refer to Figure 14 on page 168.	1.125^1	—	1.275^1	V
Output Impedance, Single-ended	R_O	$V_{CM} = 1.0\text{ V}$ and 1.4 V .	40	50	60	Ω
R_O Mismatch Between A and B	ΔR_O	$V_{CM} = 1.0\text{ V}$ and 1.4 V .	—	—	10	%
Change in $ V_{OD} $ Between 0 and 1	$ \Delta V_{OD} $	$R_{LOAD} = 100\ \Omega \pm 1\%$.	—	—	25	mV
Change in $ V_{OS} $ Between 0 and 1	$ \Delta V_{OS} $	$R_{LOAD} = 100\ \Omega \pm 1\%$.	—	—	25	mV
Output Current	I_{SA} , I_{SB}	Driver shorted to ground.	—	—	24	mA
Output Current	I_{SAB}	Driver shorted together.	—	—	12	mA
Power-off Output Leakage	$ I_{XA} $, $ I_{XB} $	$V_{DD} = 0\text{ V}$, V_{PAD} , $V_{PADN} = 0\text{ V}—3\text{ V}$.	—	—	30	μA

1. External reference, $REF10 = 1.0\text{ V} \pm 3\%$, $REF14 = 1.4\text{ V} \pm 3\%$.

Table 238. LVDS Driver ac Data

Parameter	Symbol	Conditions	Min	Max	Unit
VOD Fall Time, 80% to 20%	t_{FALL}	$Z_{LOAD} = 100\ \Omega \pm 1\%$, $C_{PAD} = 3.0\text{ pF}$, $C_{PADN} = 3.0\text{ pF}$.	100	200	ps
VOD Rise Time, 20% to 80%	t_{RISE}	$Z_{LOAD} = 100\ \Omega \pm 1\%$, $C_{PAD} = 3.0\text{ pF}$, $C_{PADN} = 3.0\text{ pF}$.	100	200	ps
Differential Skew or $ t_{PHLA} - t_{PLHB} $ or $ t_{PHLB} - t_{PLHA} $	t_{SKEW1}	Any differential pair on package at 50% point of the transition.	—	50	ps

Electrical Characteristics (continued)

Table 239. LVDS Driver Reference Data

Parameter	Conditions	Min	Typ	Max	Unit
REF10E, REF10L Voltage Range	—	0.95	1.0	1.05	V
REF14E, REF14L Voltage Range	—	1.35	1.4	1.45	V
Nominal Input Current—REF10 and REF14 Reference Inputs	—	—	10	—	μA

Table 240. LVDS Receiver Data

Parameter	Symbol	Conditions	Min	Typ	Max	Unit
Receiver input Voltage Range, V _{IA} or V _{IB} (common mode voltage)	V _I	V _{GPD} < 925 mV dc—1 MHz.	0	1.2	2.4	V
Receiver Input Differential Threshold (differential mode voltage)	V _{IDTH}	V _{GPD} < 925 mV 400 MHz.	-100	—	100	mV
Receiver Input Differential Hysteresis	V _{HYST}	V _{IDTHH} – V _{IDTHL} .	—	—	— ¹	mV
Receiver Differential Input Impedance	R _{IN}	With built-in termination, center tapped.	80	100	135	Ω

1. Buffer will not produce transition when input is open-circuited.

Table 241. Receive Payload Add Interface

Parameter	Conditions	Min	Typ	Max	Unit
Input Data¹					
Stream of Nontransitional 622 Mbits/s ²	—	—	—	60	bits
Phase Change, Input Signal	Over a 200 ns time interval. ³	—	—	100	ps
Eye Opening ⁴	—	0.4	—	—	UIp-p
Jitter					
Jitter Tolerance:					
250 kHz	—	—	—	0.6	UIp-p
25 kHz	—	—	—	6	UIp-p
2 kHz	—	—	—	60	UIp-p

1. 622.08 Mbits/s scrambled data stream conforming to SONET STS-12 and SDH STM-4 data format using either a PN7 or PN9 sequence:

— PN7 characteristic is $1 + x^6 + x^7$.

— PN9 characteristic is $1 + x^4 + x^9$.

2. This sequence should not occur more than once per minute.

3. Translates to a frequency change of 500 ppm.

4. A unit interval for 622.08 Mbits/s data is 1.6075 ns.

Electrical Characteristics (continued)

Table 242. Receive Payload Drop Interface

Parameter	Conditions	Min	Typ	Max	Unit
Output Jitter, Generated	250 kHz to 5 MHz.	—	—	0.25	UIp-p

Table 243. LVTTTL 3.3 V Logic Interface Characteristics

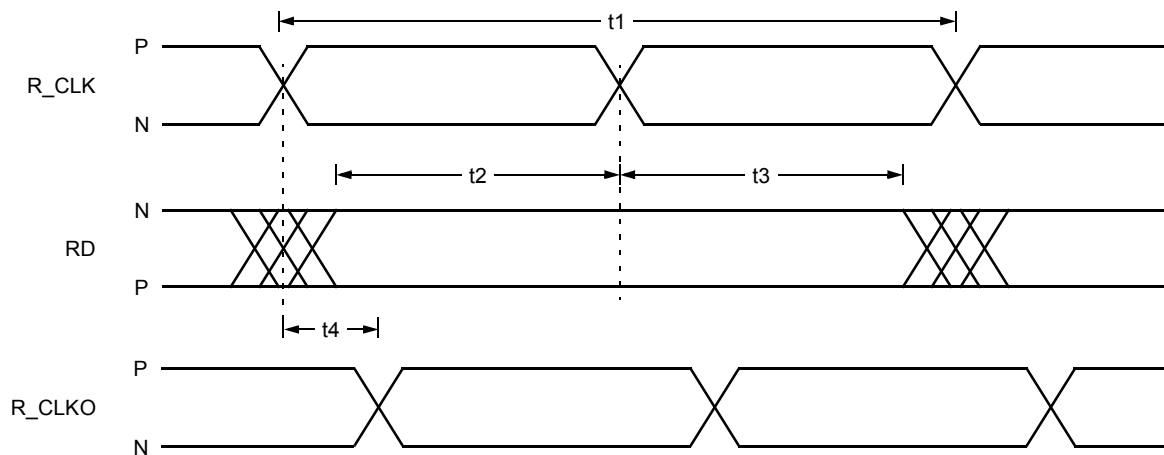
Parameter	Symbol	Conditions	Min	Typ	Max	Unit
Input Leakage	IL	—	—	—	1.0	μA
Input Voltage:						
Low	V _{ILLVTTTL}	—	GND	—	1.0	V
High	V _{IHLVTTTL}	—	V _{DD} - 1.0	—	V _{DD}	V
Output Voltage:						
Low	V _{OLLVTTTL}	-5.0 mA	GND	—	0.5	V
High	V _{OHLVTTTL}	5.0 mA	V _{DD} - 1.0	—	V _{DD}	V
Input Capacitance	C _I	—	—	2.2	3.0	pF
Load Capacitance	C _L	—	—	0.4	—	pF

Timing Characteristics

Receive Data Interface

Receive STS-48/STS-192 Data

Figure 15 illustrates the timing for the receive STS-48/STS-192 data stream. Both the clock and data pins are low-voltage differential signal (LVDS) input buffers. The expected clock rate is 622.08 MHz and the receive data is clocked on the rising edge of the clock. In STS-48 mode, each channel uses one set of R_CLK_n and RD_n_[3:0] data pins. In STS-192 mode, only R_CLK_1 is used, along with the 16 RD pins. The timing values for the diagram are given in Table 244.



5-9085(F)r.1

Figure 15. Receive Data Timing

Table 244. Receive Data Timing

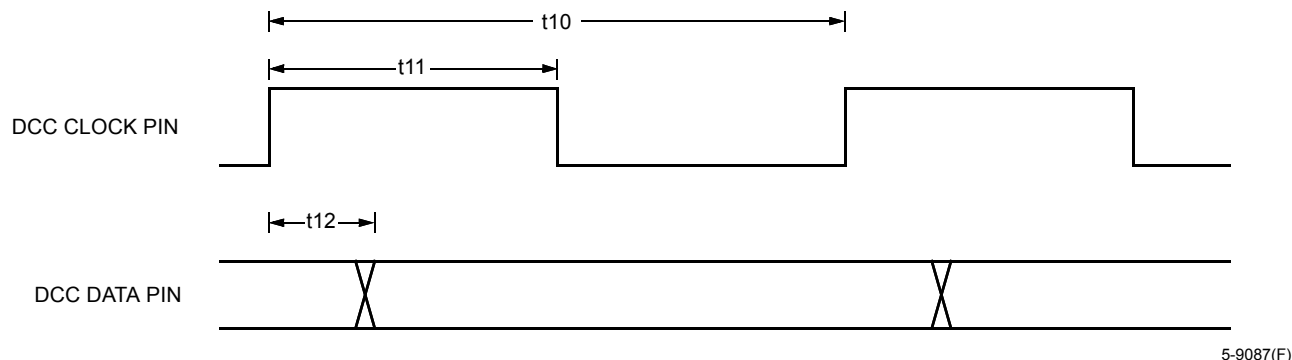
Symbol	Parameter	Min	Typ	Max	Unit
t1	Clock Period	—	1608	—	ps
t2	Data Setup Time Required	250	—	—	ps
t3	Data Hold Time Required	250	—	—	ps
t4	R_CLK to R_CLKO Rising Edge	2.35	—	5.54	ns
	R_CLK to R_CLKO Falling Edge	2.40	—	5.61	ns

Timing Characteristics (continued)

Receive Transport Overhead Interface

Figure 16 illustrates the timing for the following receive data communication channel interfaces: local orderwire (RLCLOW), express orderwire (REXPOW), section user channel (RSUSER), section data com (RSDCC), and line data com (RLDCC).

Figure 16 is also appropriate to illustrate the timing for the transmit add section data com channel (TADCC and TADCK). Table 258 on page 183 also references this figure.



5-9087(F)

Figure 16. Receive Data Communication Channels Timing

Receive Local Orderwire

The receive local orderwire (RLCLOW) pin is timed using the rising edge of the receive orderwire clock (ROW_CLK) pin. Sampling of the RLCLOW pin is intended to occur at the negative edge of ROW_CLK signal. The frequency of ROWCK is 64 kHz with a duty cycle of 33%. The timing characteristics for these pins are given in Table 245 on page 174.

Receive Section User

The receive section user (RSUSER) pin is timed using the rising edge of the receive orderwire clock (ROW_CLK) pin. Sampling of the RSUSER pin is intended to occur at the negative edge of ROW_CLK signal. The timing characteristics for these pins are given in Table 245.

Timing Characteristics (continued)

Receive Express Orderwire

The receive express orderwire (REXPOW) pin is timed using the rising edge of the receive orderwire clock (ROW_CLK) pin. Sampling of the REXPOW pin is intended to occur at the negative edge of ROW_CLK signal. The timing characteristics for these pins are given in Table 245.

Table 245. RLCLOW/RSUSER/REXPOW Timing

Symbol	Parameter	Min	Typ	Max	Unit
t10	Clock Period	—	15.625	—	μs
t11	Clock High Width	—	5.21	—	μs
t12	Clock to Data Delay	—	30	—	ns

Receive Section Data Com

The receive section data com (RSDCC) pin is timed using the rising edge of the receive section data com clock (RSDCK) pin. Sampling of the RSDCC pin is intended to occur at the negative edge of RSD_CLK signal. The frequency of RSD_CLK is 192 kHz with a duty cycle of 33%. The timing characteristics for these pins are given in Table 246. (See Figure 16 on page 173.)

Table 246. RSDCC Timing

Symbol	Parameter	Min	Typ	Max	Unit
t10	Clock Period	—	5.208	—	μs
t11	Clock High Width	—	1.736	—	μs
t12	Clock to Data Delay	—	30	—	ns

Receive Line Data Com

The receive line data com (RLDCC) pin is timed using the rising edge of the receive line data com clock (RLD_CLK) pin. Sampling of the RLDCC pin is intended to occur at the negative edge of RLD_CLK signal. The frequency of RLD_CLK is 576 kHz with a duty cycle of roughly 50%. The timing characteristics for these pins are given in Table 247. (See Figure 16 on page 173.)

Table 247. RLDCC Timing

Symbol	Parameter	Min	Typ	Max	Unit
t10	Clock Period	—	1.736	—	μs
t11	Clock High Width	—	0.823	—	μs
t12	Clock to Data Delay	—	30	—	ns

Timing Characteristics (continued)

Receive Overhead Serial Link

The ROHDAT_n_[1:0] pins transmit the complete transport overhead data for every received frame. The ROHDAT_n_[1:0] pins are timed using the rising edge of the ROH_CLK signal. Sampling of the ROHDAT_n_[1:0] pins is intended to occur at the positive edge of the ROH_CLK signal.

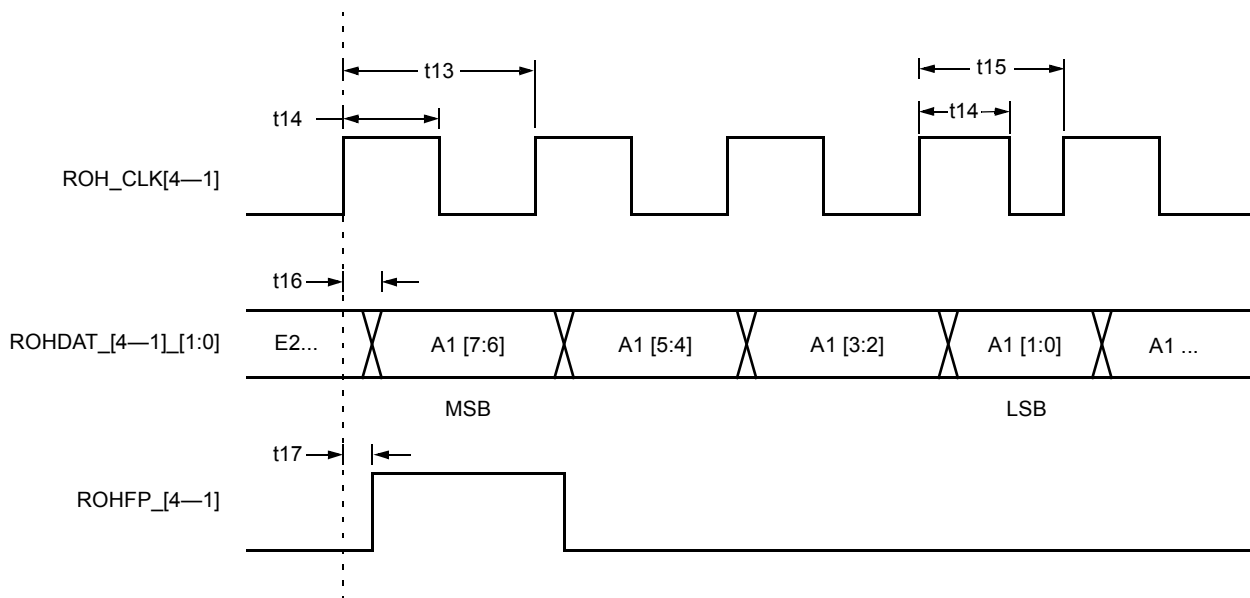
Since 1296 overhead bytes are transmitted in 125 μ s using a 2-bit interface, the average frequency of ROH_CLK is 41.472 MHz. Internally, this clock is produced using a 155.52 MHz reference, which requires a divide-down factor of 3.75. This is accomplished by producing three 38.88 MHz clock cycles (long clocks), followed by one 51.84 MHz clock cycle (short clock).

The ROHFP pin indicates the frame position by toggling high during the most significant bit of the first A1 byte in the data stream, as illustrated in Figure 17.

External logic that interfaces to ROHDAT should synchronize to each of the four channels independently using the ROHFP_[1—4] signals.

Even in 10 Gbits/s mode, where RXCLK and ROHCLK are the same, the different delays on the signals in each channel will create the potential for the metastability handlers to sample the channels, within ± 1 clock cycles, of each other. This is due to the possibility of the four channels being asynchronous.

The timing characteristics for the receive overhead serial pins are given in Table 248.



5-9088.e (F)

Figure 17. Receive Overhead Serial Timing

Table 248. Receive Overhead Serial Timing

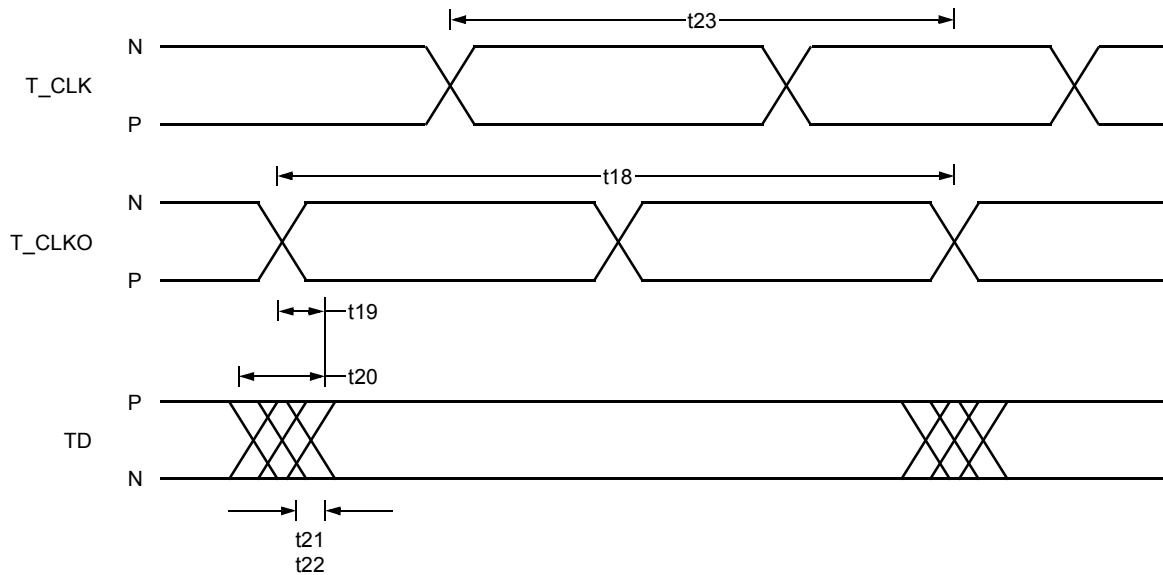
Symbol	Parameter	Min	Typ	Max	Unit
t13	Clock Period (long clock)	—	25.6	—	ns
t14	Clock High Width	12.8	12.9	13.3	ns
t15	Clock Period (short clock)	—	19.2	—	ns
t16	Clock to Data Delay	0.9	—	8	ns
t17	Clock to Frame Pulse Delay	0.6	—	7	ns

Timing Characteristics (continued)

Transmit Data Interface

Transmit STS-48/STS-192 Data

Figure 18 illustrates the timing for the transmit STS-48/STS-192 data stream. Both the clock and data pins are driven with low-voltage differential signal buffers. T_CLK, being a 622.08 MHz input clock, starts at the transmit add interface and clocks out the transmit data on the negative edge. The clock is then output on the T_CLKO_N pin. The timing values for the diagram are given in Table 249.



5-9089(F)r.2

Figure 18. Transmit Data Timing

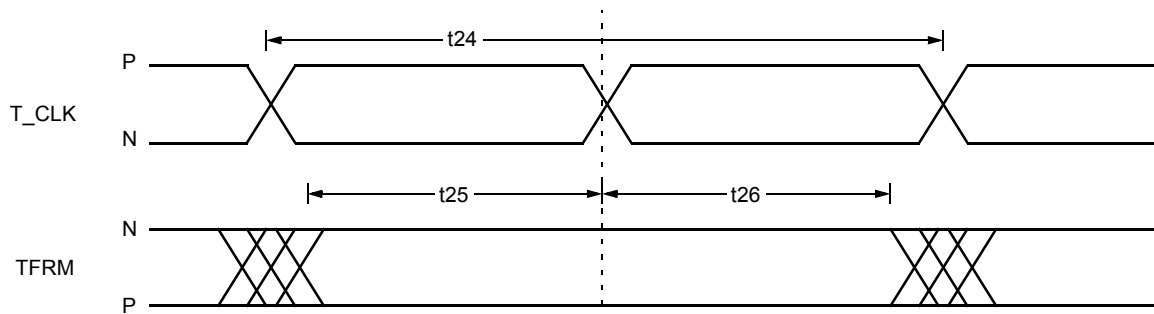
Table 249. Transmit Data Timing

Symbol	Parameter	Min	Typ	Max	Unit
t18	Clock Period	—	1608	—	ps
t19	Data Delay from Clock Edge	-50	—	250	ps
t20	Data Uncertainty	—	—	200	ps
t21	Data Rise Time: 20%—80%	100	—	200	ps
t22	Data Fall Time: 80%—20%	100	—	200	ps
t23	Clock In to Clock Out	2400	—	4600	ps

Timing Characteristics (continued)

Transmit Frame

Figure 19 illustrates the timing for the transmit frame (TFRM) signal, which is sampled using a high-speed, low-voltage differential input buffer on the positive edge of T_CLK. The timing values are given in Table 250.



5-9090(F)

Figure 19. Transmit Frame Timing

Table 250. Transmit Frame Timing

Symbol	Parameter	Min	Typ	Max	Unit
t24	Clock Period	—	1608	—	ps
t25	Data Setup Time Required	300	—	—	ps
t26	Data Hold Time Required	300	—	—	ps

Timing Characteristics (continued)

Transmit Transport Overhead Interface

Figure 20 illustrates the timing for the following transmit data communication channel interfaces: local orderwire (TLCLOW), express orderwire (TEXPOW), section user channel (TSUSER), section data com (TSDCC), and line data com (TLDCC).

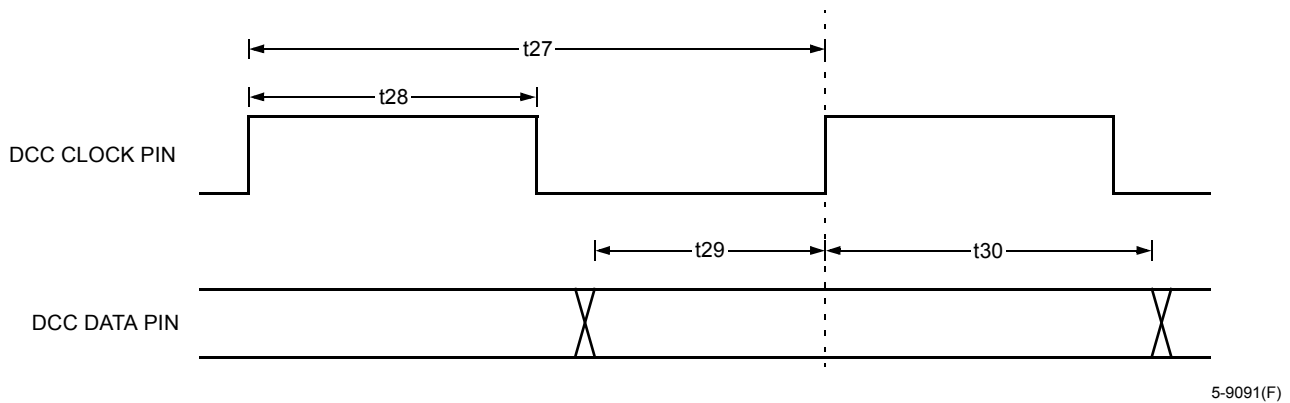


Figure 20. Transmit Data Communication Channels Timing

Transmit Local Orderwire

The transmit local orderwire (TLCLOW) pin is clocked in using the rising edge of the transmit orderwire clock (TOW_CLK) pin. Generation of the signal feeding the TLCLOW_n pin is intended to occur at the negative edge of TOW_CLK signal. This clock signal, running at 64 kHz, is an output of the device. The timing characteristics for these pins are given in Table 251.

Table 251. TLCLOW/TSUSER/TEXPOW Timing

Symbol	Parameter	Min	Typ	Max	Unit
t27	Clock Period	—	15.625	—	μ s
t28	Clock High Width	—	5.21	—	μ s
t29	Data Setup Time Required	—	30	—	ns
t30	Data Hold Time Required	—	0	—	ns

Transmit Section User

The transmit section user (TSUSER) pin is clocked in using the rising edge of the transmit orderwire clock (TOW_CLK) pin. Generation of the signal feeding the TSUSER pin is intended to occur at the negative edge of TOW_CLK signal. The timing characteristics for these pins are given in Table 251.

Transmit Express Orderwire

The transmit express orderwire (TEXPOW) pin is clocked in using the rising edge of the transmit orderwire clock (TOW_CLK) pin. Generation of the signal feeding the TEXPOW pin is intended to occur at the negative edge of TOW_CLK signal. The timing characteristics for these pins are given in Table 251.

Timing Characteristics (continued)

Transmit Section Data Com

The transmit section data com (TSDCC) pin is clocked in using the rising edge of the transmit section data com clock (TSD_CLK) pin. Generation of the signal feeding the TSDCC pin is intended to occur at the negative edge of TSD_CLK signal. This clock signal, running at 192 kHz, is an output of the device. The timing characteristics for these pins are given in Table 252. (See Figure 20 on page 178.)

Table 252. TSDCC Timing

Symbol	Parameter	Min	Typ	Max	Unit
t27	Clock Period	—	5.208	—	μs
t28	Clock High Width	—	1.736	—	μs
t29	Data Setup Time Required	—	30	—	ns
t30	Data Hold Time Required	—	0	—	ns

Transmit Line Data Com

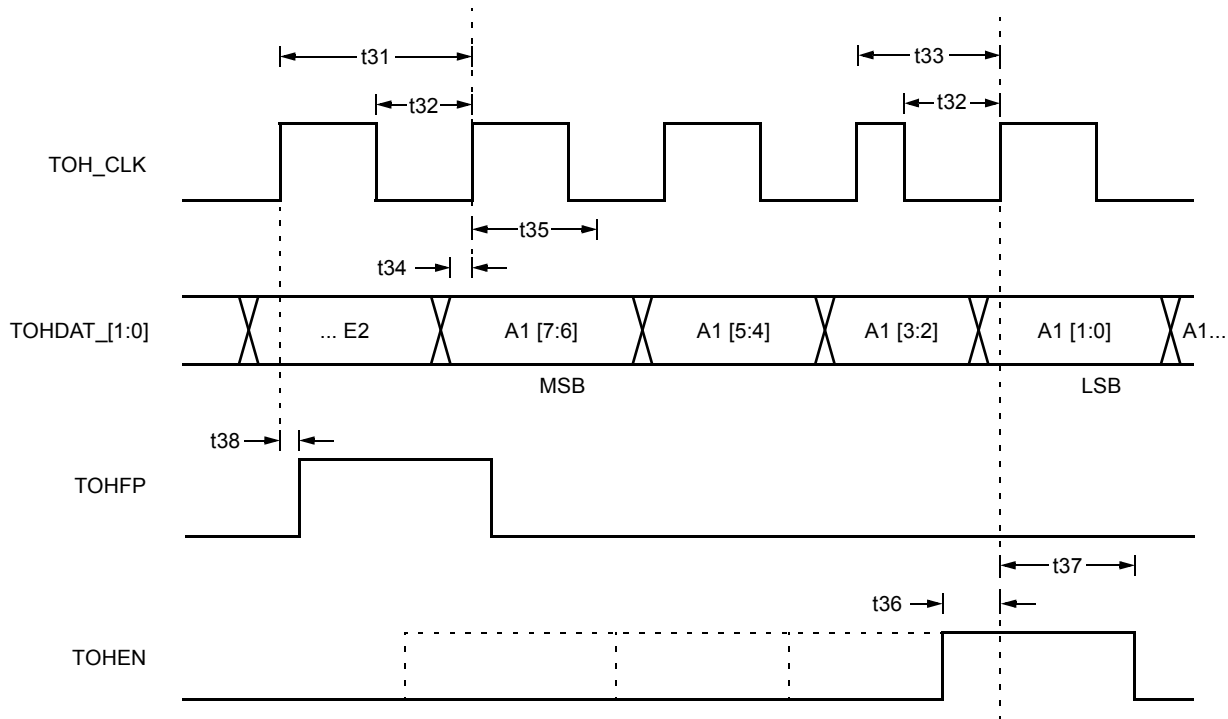
The transmit line data com (TLDCC) pin is clocked in using the rising edge of the transmit line data com clock (TLD_CLK) pin. Generation of the signal feeding the TLDCC pin is intended to occur at the negative edge of TLD_CLK signal. This clock signal, running at 576 kHz, is an output of the device. The timing characteristics for these pins are given in Table 253. (See Figure 20 on page 178.)

Table 253. TLDCC Timing

Symbol	Parameter	Min	Typ	Max	Unit
t27	Clock Period	—	1.736	—	μs
t28	Clock High Width	—	0.823	—	μs
t29	Data Setup Time Required	—	30	—	ns
t30	Data Hold Time Required	—	0	—	ns

Timing Characteristics (continued)

Transmit Overhead Serial Link



5-9092(F)

Figure 21. Transmit Overhead Serial Timing

The TOHDAT_n_[1:0] pins are optionally used to insert transport overhead bytes into the transmit data stream. The TOHDAT_n_[1:0] pins are sampled internally using the rising edge of the TOH_CLK signal. Generation of the TOHDAT signal is intended to occur at the positive edge of the TOH_CLK signal. This is possible since there is zero hold time required on the TOHDAT inputs.

All of the TOH inputs/outputs are synchronous. Internal to TSOT, one TOH clock is generated and routed to all four TOH_CLK_n pins. The TOH_CLK outputs are redundant copies, and only one has to be used if the TOH_DAT signals are brought to a common device, such as an FPGA. (There will not be any phase jumps between the outputs.) The skew between the four TOH_CLK outputs is 1 ns maximum.

Since 1296 overhead bytes are received in 125 μ s using a 2-bit interface, the average frequency of TOH_CLK is 41.472 MHz. Internally, this clock is produced using a 155.52 MHz reference, which requires a divide-down factor of 3.75. This is accomplished by producing three 38.88 MHz clock cycles (long clocks), followed by one 51.84 MHz clock cycle (short clock).

The TOHFP pin indicates the frame position by toggling high during the most significant bit of the first A1 byte in the data stream, as illustrated in Figure 21. Only one TOHFP frame pulse signal is generated inside the TSOT0410G4, and it is routed to all four TOHFP_n pins. The TOHFP_n signals are all aligned. Only one is needed if the TOH_DAT signals are brought to a common device, such as an FPGA.

The timing characteristics for the transmit overhead serial pins are given in Table 254 on page 181.

TOHEN is only sampled on the rising edge of the clock during the least significant bit(s) of the byte; however, it can be generated for the entire byte time (as indicated by dashed line waveforms in Figure 21).

Timing Characteristics (continued)

Table 254. Transmit Overhead Serial Timing

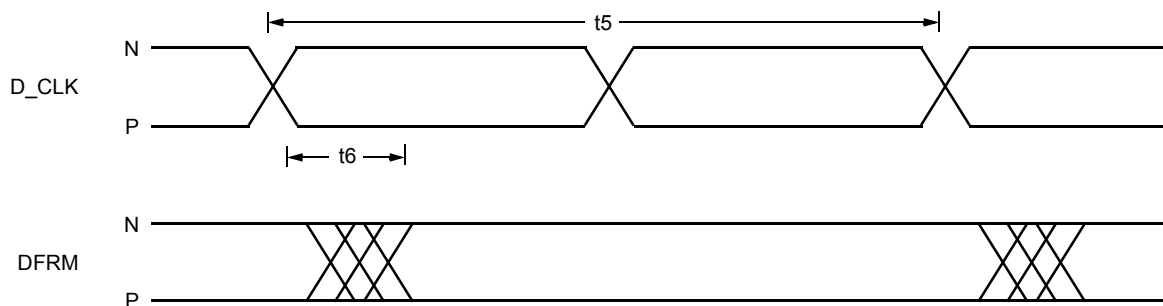
Symbol	Parameter	Min	Typ	Max	Unit
t31	Clock Period (long clock)	—	25.7	—	ns
t32	Clock Low Width	10.0	12.9	14.0	ns
t33	Clock Period (short clock)	—	19.2	—	ns
t34	Data Setup Time Required	8.0	—	—	ns
t35	Data Hold Time Required	0	—	—	ns
t36	TOHEN Setup Time Required	8.5	—	—	ns
t37	TOHEN Hold Time Required	0	—	—	ns
t38	Clock to Frame Pulse Delay ¹	0	—	7.0	ns

1. The frame pulse may occur after either a long clock or a short clock.

Receive Drop Interface

Drop Clock, Drop Frame, and Drop Data

The drop clock (D_CLK) and drop frame (DFRM) pins are driven using bidirectional TTL buffers. If the pointer processor is bypassed, the receive clock and receive frame are used for the drop interface and are output on the D_CLK and DFRM pins.



5-9086(F)

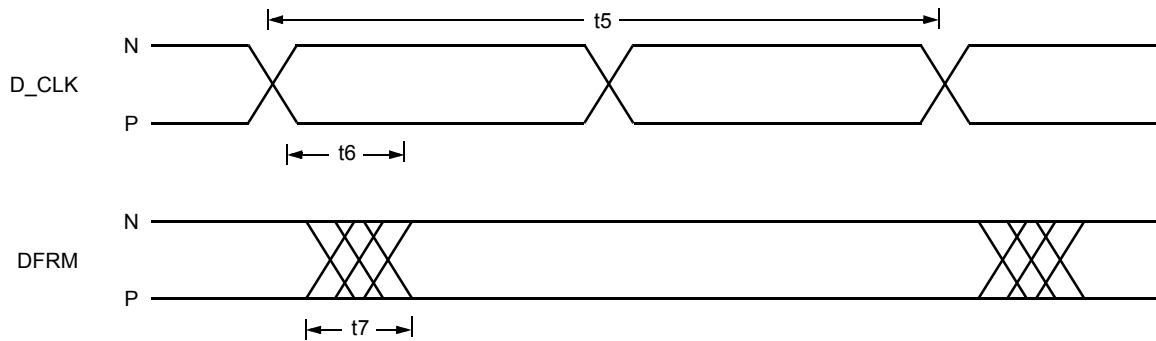
Figure 22. Receive Frame Timing (Pointer Processor Bypassed)

Table 255. Drop Frame Timing (Pointer Processor Bypassed)

Symbol	Parameter	Min	Typ	Max	Unit
t5	Clock Period	—	12.86	—	ns
t6	DFRM Delay from Clock Edge	0.3	—	1.97	ns

Timing Characteristics (continued)

If the pointer processor is not bypassed, D_CLK and DFRM are inputs to the device and are used to clock out the drop data. The drop clock signal has a frequency of 77.76 MHz, which is multiplexed/divided internally to provide a 622.08 MHz clock for the drop data signals.



5-9086.a (F)

Figure 23. Receive Frame Timing (Pointer Processor Active)

Table 256. Drop Frame Timing (Pointer Processor Active)

Symbol	Parameter	Min	Typ	Max	Unit
t5	Clock Period	—	12.86	—	ns
t6	DFRM Setup Time	0	—	—	ns
t7	DFRM Hold Time Required	3	—	—	ns

Receive Drop Section Data Com

The receive drop data com (RDDCC) input is provided to allow the D1, D2, and D3 to be used for data transmission across a backplane, or between devices. Since the section TOH (RSOH) has been previously terminated, these bytes are no longer used and are available. Use of this input is optional. There is a corresponding output on the add interface, the TADCC. These outputs would output a similar, proprietary DCC message from another device, or across a backplane.

The receive drop data com (RDDCC) pin is clocked in using the rising edge of the receive drop section data com clock (RDDCK) pin. Generation of the signal feeding the RDDCC pin is intended to occur at the negative edge of RDDCK signal. This clock signal, running at 192 kHz, is an output of the device. In reference to Figure 20 on page 178, the timing characteristics for these pins are given in Table 257.

Table 257. RDDCC Timing

Symbol	Parameter	Min	Typ	Max	Unit
t27	Clock Period	—	5.208	—	μs
t28	Clock High Width	2.594	—	2.714	μs
t29	Data Setup Time Required	30	—	—	ns
t30	Data Hold Time Required	—	0	—	ns

Timing Characteristics (continued)

Transmit Add Interface

Transmit Add Data

The transmit add pins, ADATA[16:1], are asynchronous inputs to the device, and while they do not have a phase relationship to a clock, they are expected to have the same frequency as T_CLK (622.08 MHz). Furthermore, the transmit add signals for a STS-48/STS-192 channel are expected to be aligned within 75 ns of each other.

Transmit Add Section Data Com

The transmit add data com (TADCC) output is provided to allow the D1, D2, and D3 to be used for data transmission across a backplane, or between devices. Since the section TOH (RSOH) has not yet been formed and path is being input at the add interface, these bytes are available. Use of this output is optional. There is a corresponding input on the add interface, the RDDCC. These inputs would be used to send a similar, proprietary DCC message to another device, or across a backplane.

The transmit add section data com (TADCC) pins are timed using the rising edge of the transmit add section data com clock (TADCK) pin. The data is clocked out at the rising edge of TADCK, and the TADCC pins should be read at the negative edge of TADCK signal. The timing characteristics for these pins are given in Table 258. (See Figure 16 on page 173.)

Table 258. TADCC Timing

Symbol	Parameter	Min	Typ	Max	Unit
t10	Clock Period	—	5.208	—	μs
t11	Clock High Width	2.594	—	2.714	μs
t12	Clock to Data Delay	30	—	—	ns

Microprocessor Interface Timing

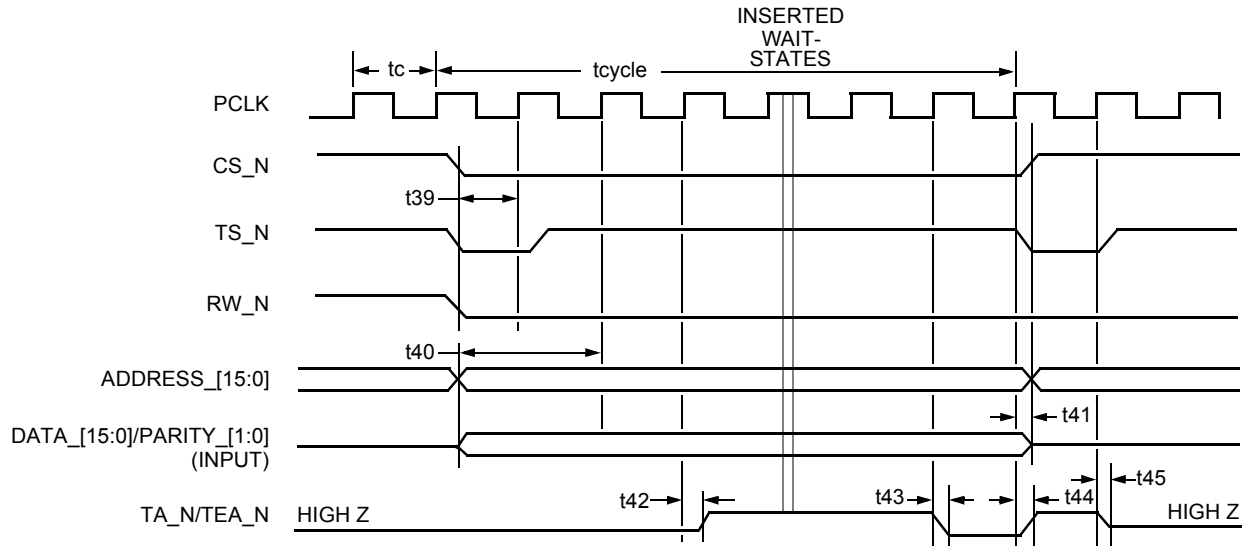
Synchronous Mode

The synchronous microprocessor interface mode is selected when MPMODE = 1. Interface timing for the synchronous mode write cycle is given in Figure 24 on page 184 and in Table 260 on page 184. Interface timing for the read cycle is given in Figure 25 on page 185 and in Table 262 on page 185.

The parity bits, PARITY_1 and PARITY_0, are optional and may be left unconnected if not used. If unused, TEA_N should be ignored on a synchronous write.

Timing Characteristics (continued)

In synchronous mode, a transfer error (TA_N = 1, TEA_N = 0) will occur if the internal cycle is not terminated in 32 PCLK cycles from the first rising edge of PCLK, where CS_N = 0 and TS_N = 0.



5-9093(F)

Figure 24. Microprocessor Interface Synchronous Write Cycle (MPMODE = 1)

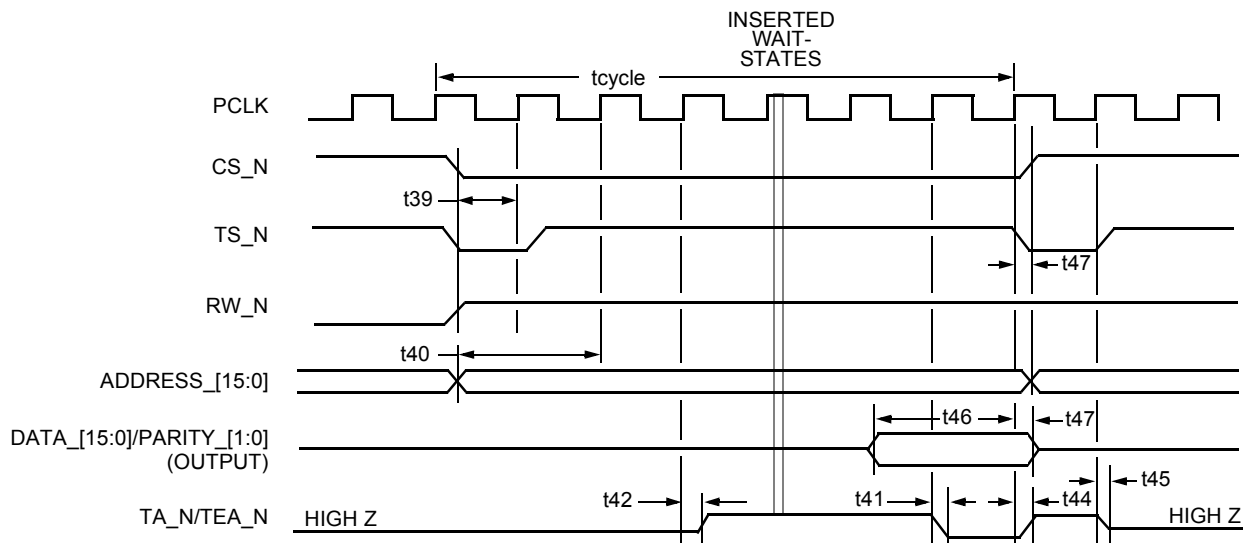
Table 259. TA_N/TEA_N Cycle Termination for Synchronous Write Cycle

TA_N	TEA_N	Encoding Description
0	0	Write data parity error.
0	1	Normal cycle termination.
1	0	Access to undefined address region—transfer error.
1	1	No cycle termination—processor generated time-out.

Table 260. Microprocessor Interface Synchronous Write Cycle Specifications

Symbol	Parameter	Min	Max	Unit
tc	PCLK Period	20	—	ns
tcycle	Bus Transfer Cycle Time	8	12	tc
t39	CS_N, TS_N, RW_N Valid to PCLK	4	—	ns
t40	ADDRESS, DATA Valid to PCLK	18	—	ns
t41	CS_N, TS_N, RW_N, ADDRESS, DATA Hold	2	—	ns
t42	PCLK to TA_N/TEA_N 3-State to High	3.5	13.5	ns
t43	PCLK to TA_N/TEA_N High to Low	5.5	15	ns
t44	PCLK to TA_N/TEA_N Low to High	5	13.5	ns
t45	PCLK to TA_N/TEA_N 3-State	—	4	ns

Timing Characteristics (continued)



5-9094(F)

Figure 25. Microprocessor Interface Synchronous Read Cycle (MPMODE = 1)

Table 261. TA_N/TEA_N Cycle Termination for Synchronous Read Cycle

TA_N	TEA_N	Encoding Description
0	0	Not possible during read cycle.
0	1	Normal cycle termination.
1	0	Access to undefined address region—transfer error.
1	1	No cycle termination—processor generated time-out.

Table 262. Microprocessor Interface Synchronous Read Cycle Specifications

Symbol	Parameter	Min	Max	Unit
t46	Data Valid to PCLK with TA_N Low	2	3	tc
t47	PCLK to DATA 3-State	2	—	ns

Timing Characteristics (continued)

Asynchronous Mode

The asynchronous microprocessor interface mode is selected when MPMODE = 0. Interface timing for the asynchronous mode write cycle is given in Figure 26 and in Table 263 below. Interface timing for the read cycle is given in Figure 27 on page 187 and in Table 266 on page 187.

In asynchronous mode, the PCLK can be connected to a 77.76 MHz clock. This can be the same source as the D_CLK input when DRPBYP = 0. If DRPBYP is 1, then the D_CLK output can be used. The microprocessor should run at no more than half the frequency of PCLK in asynchronous mode. The timing numbers shown assume a PCLK frequency of 77.76 MHz.

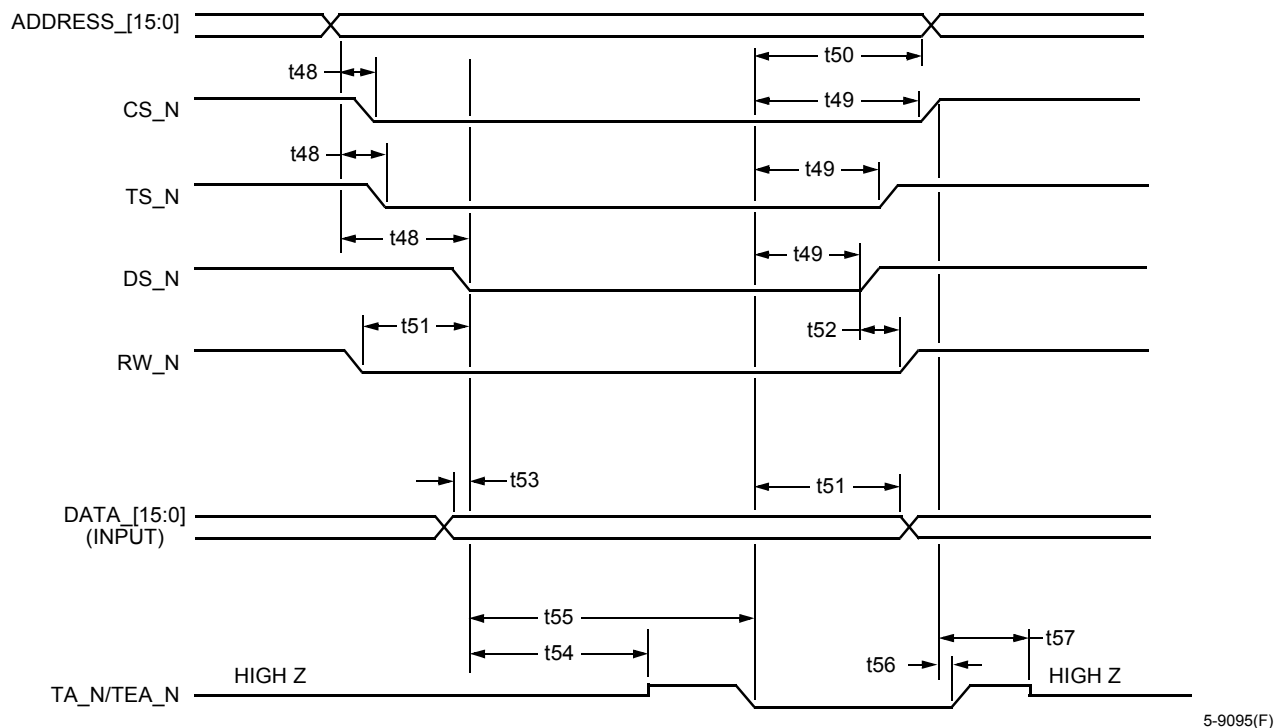


Figure 26. Microprocessor Interface Asynchronous Write Cycle (MPMODE = 0)

Table 263. Microprocessor Interface Asynchronous Write Cycle Specifications

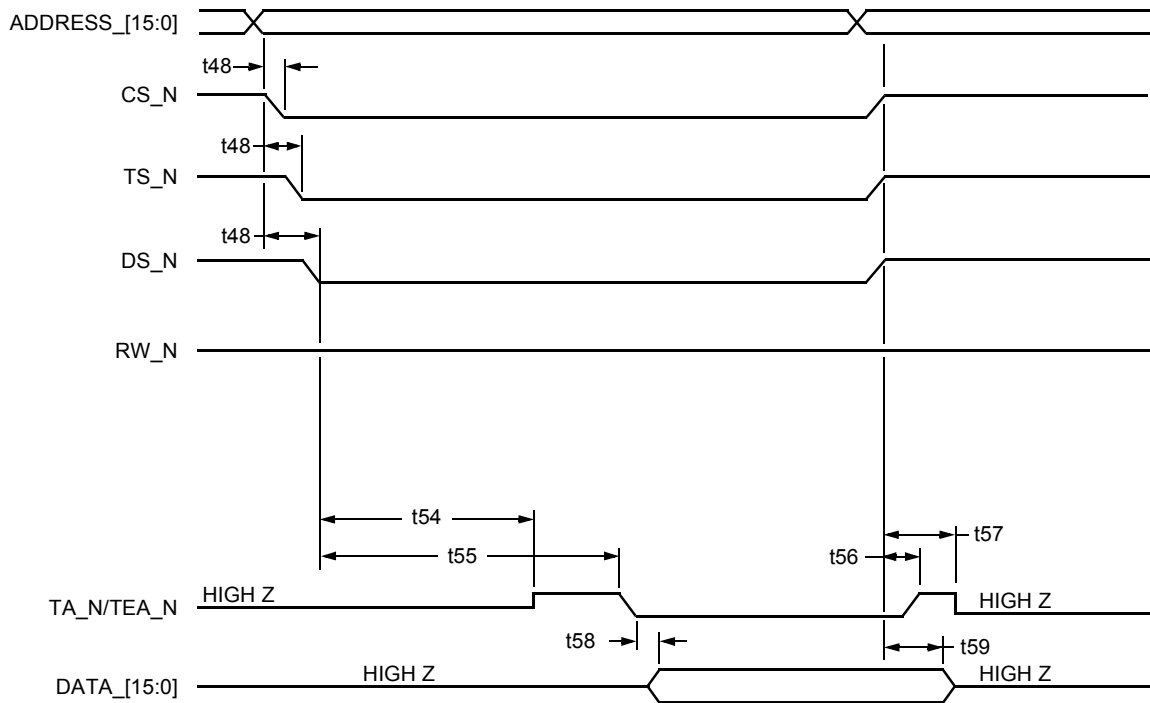
Symbol	Parameter	Min	Max	Unit
t _c	PCLK Period	12.86	15	ns ¹
t ₄₈	ADDRESS Valid to CS_N/DS_N/TS_N Fall	0	—	ns
t ₄₉	TA_N Fall to CS_N/DS_N/TS_N Rise	0	—	ns
t ₅₀	TA_N Fall to DATA/ADDRESS Invalid	0	—	ns
t ₅₁	RW_N Fall to CS_N/DS_N/TS_N Fall	0	—	ns
t ₅₂	DS_N Rise to RW_N Rise	0	—	ns
t ₅₃	DATA Valid to DS_N Fall	0	—	ns
t ₅₄	CS_N/DS_N/TS_N Fall to TA_N/TEA_N High	4	—	tc
t ₅₅	CS_N/DS_N/TS_N Fall to TA_N/TEA_N Fall	5	35 ¹	tc
t ₅₆	CS_N/DS_N/TS_N Rise to TA_N/TEA_N Rise	43	54	ns
t ₅₇	CS_N/DS_N/TS_N Rise to TA_N/TEA_N 3-state	42	80	ns

1. This value represents the timing for a transfer error (TA_N = 1, TEA_N = 0). The typical value during normal access would be 9 t_c.

Timing Characteristics (continued)

Table 264. TA_N/TEA_N Cycle Termination for Asynchronous Write Cycle

TA_N	TEA_N	Encoding Description
0	0	Not possible during asynchronous write cycle.
0	1	Normal cycle termination.
1	0	Access to undefined address region—transfer error.
1	1	No cycle termination—processor generated time-out.



5-9096(F)

Figure 27. Microprocessor Interface Asynchronous Read Cycle (MPPMODE = 0)

Table 265. TA_N/TEA_N Cycle Termination for Asynchronous Read Cycle

TA_N	TEA_N	Encoding Description
0	0	Not possible during read cycle.
0	1	Normal cycle termination.
1	0	Access to undefined address region—transfer error.
1	1	No cycle termination—processor generated time-out.

Table 266. Microprocessor Interface Asynchronous Read Cycle Specifications

Symbol	Parameter	Min	Max	Unit
t58	TA_N/TEA_N Valid to DATA Valid	13	15	ns
t59	CS_N/TS_N/DS_N Rise to DATA 3-State	43	56	ns

Timing Characteristics (continued)

Use of a Synchronous Microprocessor with the TSOT0410G4 in Asynchronous Mode

The use of a synchronous microprocessor (such as the M860/M8260) to communicate with a TSOT0410G4 configured for asynchronous mode (MPMODE = 0) requires one additional consideration. There is a difference between the operation of a synchronous processor (e.g., M860/M8260) and the asynchronous processors (e.g., 68360). In a synchronous processor, the data is latched on the same edge that detects the assertion of TA_N. In an asynchronous processor, the TA_N (DSACK) signal is detected, and the data is latched one clock period later.

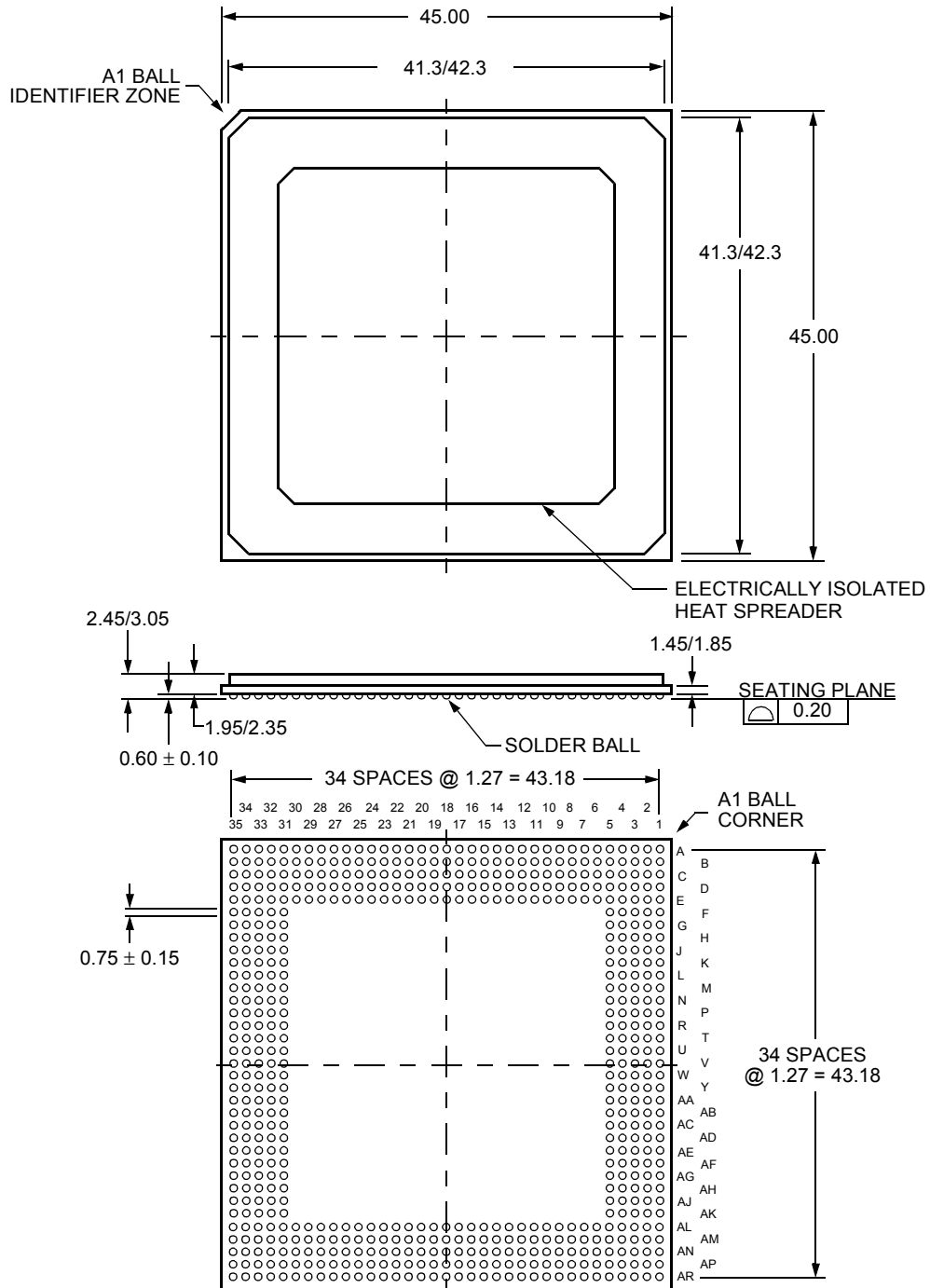
In both cases, the TSOT0410G4 meets the timing required by these two different processors. However, a synchronous processor operating with the TSOT0410G4 configured in asynchronous mode will have problems consistently latching the correct data. It will depend on the relationship between the two clocks. As shown in Figure 27 on page 187, the data is presented on the bus 13 ns—15 ns after TA_N is asserted. If the microprocessor has a rising edge within this window, it will capture incorrect data.

To operate the TSOT in asynchronous mode with an synchronous processor, add a delay on the TA_N signal from the TSOT0410G4; otherwise, consider using synchronous mode.

Outline Diagram

600-Pin LPGA

Dimensions are in millimeters.



5-9212.a (F)

Ordering Information

Device Code	Package	Temperature	Comcode
TSOT0410G14	600-pin LBGA	-40 °C to +85 °C	700017424

IEEE is a registered trademark of The Institute of Electrical and Electronics Engineers, Inc.

EIA is a registered trademark of The Electronic Industries Association.

Motorola is a registered trademark of Motorola, Inc.

For additional information, contact your Agere Systems Account Manager or the following:

INTERNET: <http://www.agere.com>

E-MAIL: docmaster@agere.com

N. AMERICA: Agere Systems Inc., Lehigh Valley Central Campus, Room 10A-301C, 1110 American Parkway NE, Allentown, PA 18109-9138

1-800-372-2447, FAX 610-712-4106 (In CANADA: **1-800-553-2448**, FAX 610-712-4106)

ASIA: Agere Systems Hong Kong Ltd., Suites 3201 & 3210-12, 32/F, Tower 2, The Gateway, Harbour City, Kowloon

Tel. **(852) 3129-2000**, FAX (852) 3129-2020

CHINA: **(86) 21-5047-1212** (Shanghai), **(86) 755-25881122** (Shenzhen)

JAPAN: **(81) 3-5421-1600** (Tokyo), KOREA: **(82) 2-767-1850** (Seoul), SINGAPORE: **(65) 6778-8833**, TAIWAN: **(886) 2-2725-5858** (Taipei)

EUROPE: Tel. **(44) 1344 296 400**

Agere Systems Inc. reserves the right to make changes to the product(s) or information contained herein without notice. No liability is assumed as a result of their use or application. Agere, Agere Systems, and the Agere Logo are trademarks of Agere Systems Inc.