

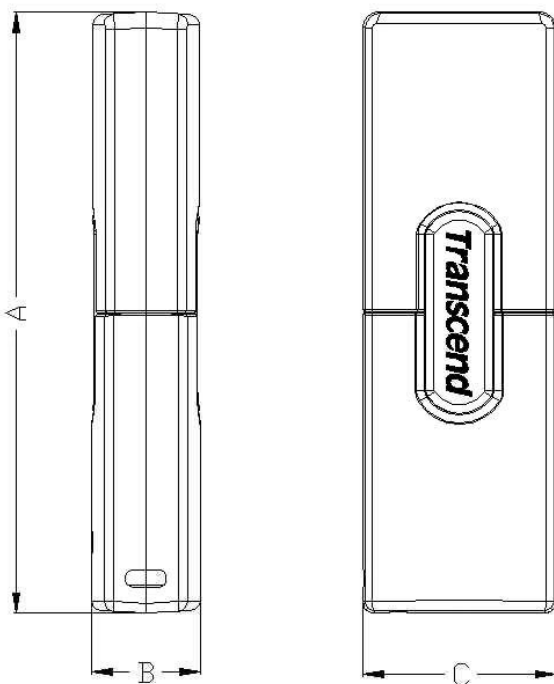
TS2GJF150

2GB USB2.0 JetFlash™150

Description

TS2GJF150 is a 2GB USB Flash Drive with 1pcs of 2Gx8 (or 2pcs of 1Gx8) Flash Memory assembled on printed circuit board.

Outline



Features

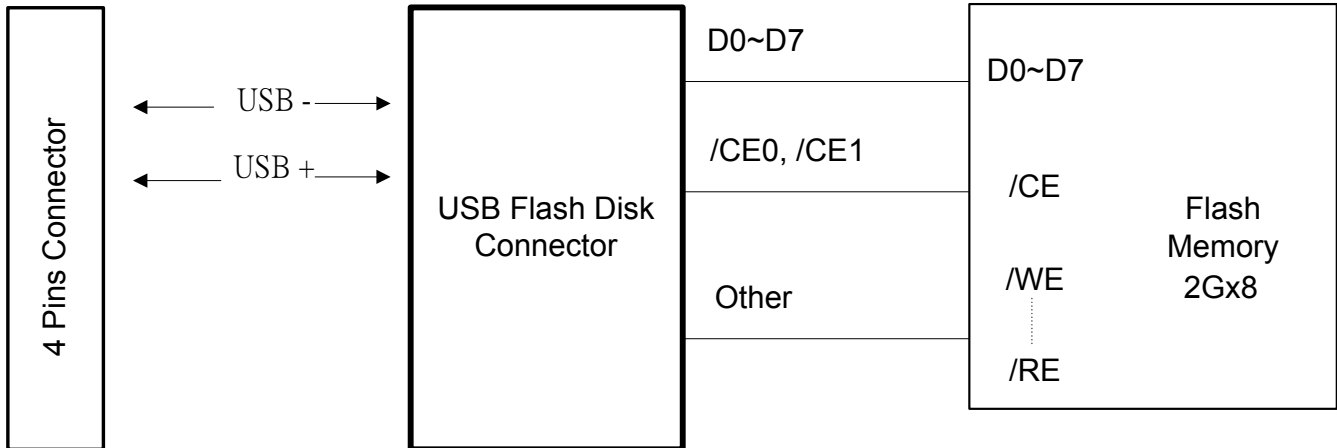
- Color: Silver
- USB Interface: Compliant with USB specification 2.0.
- Security Function: Password protection provided
- Boot-Up Function: Support USB-ZIP/USB-HDD boot-up mode supported
- PC-Lock Function: Makes JF150 the key to your computer
- No external power or battery needed
- LED indicates the usage status.

Dimensions

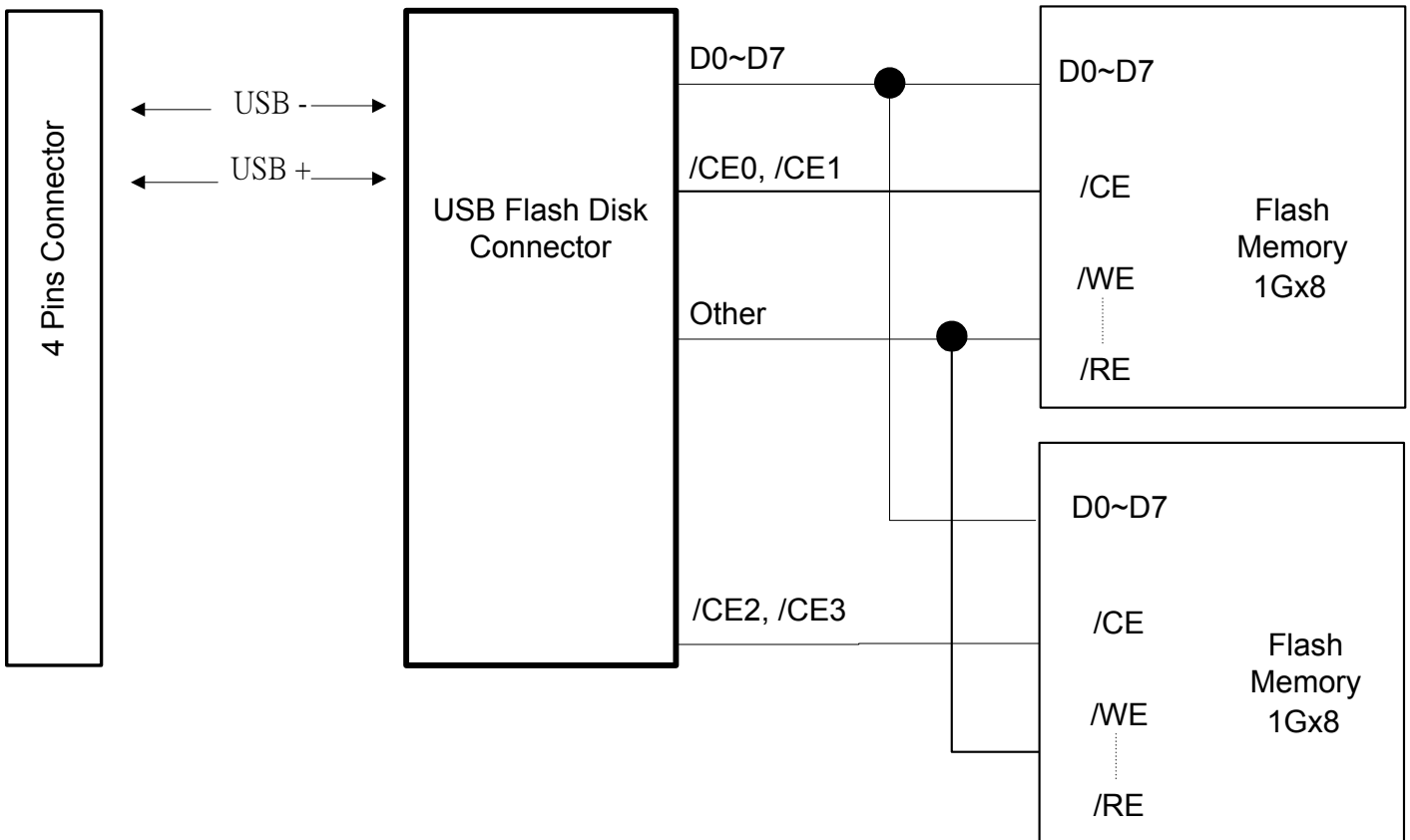
Side	Millimeters	Inches
A	59 ± 1.00	2.32 ± 0.04
B	10 ± 1.00	0.39 ± 0.04
C	19 ± 1.00	0.75 ± 0.04

Block Diagram

- With 1 pcs of 2Gx8 Flash Memory



- With 2 pcs of 1Gx8 Flash Memory



TS2GJF150

2GB USB2.0 JetFlash™150

Pinouts

Pin No.	Pin Name
01	VCC
02	USB-
03	USB+
04	VSS

Pin Identification

Symbol	Function
USB-	USB differential signal:
USB+	The pairs are used to transmit Data/Address/Command
VSS	Ground
VCC	USB power input

Specifications

Storage Capacity	2GB
Data Retention	10 years
Erase Cycles	>100,000 times
Connector Durability	10,000 times
System Performance	Read: 12MB/sec (max.), Write: 8MB/sec (max.)
Power Supply	DC 5V±10% via the USB port
Temperature Range	Operation: 0-70°C, Non-Operating: -40°C-85°C
Certificates	CE, FCC, BSMI

TS2GJF150

2GB USB2.0 JetFlash™150

Absolute Maximum Ratings

Symbol	Parameter	Rating	Unit
VCC33	Power Supply	-0.3 to 4.0	V
VIN	Input Voltage	-0.3 to Vcc+0.3	V
VOUT	Output Voltage	-0.3 to Vcc+0.3	V
VCC25	Internal Power Supply	-0.3 to 3.0	V

DC Characteristics: TOPR=0°C~70°C ; VCC33=3.0V~3.6V ; VCC25=2.25V~2.75V

Symbol	Parameter	Min.	Typ.	Max.	Units
IIL	Input Leakage Current (No pull-up or pull-down)	-10		10	μA
IOZ	Tri-State Leakage Current	-10		10	μA
VIL	Input Low Voltage			0.8	V
VIH	Input High Voltage	2.0			V
VOL	Output Low Voltage (IOL=4mA)			0.4	V
VOH	Output High Voltage (IOH=4mA)	2.4			V
Rt	Input pull-up/down resistance (VIL=0V or VIH= VCC)	40	75	190	KΩ
I _{ACT}	Active Current			73	mA
I _{SLP}	Sleep Current			120	μA

Recommended Operating Conditions

Symbol	Parameter	Min.	Typ.	Max.	Units
VCC33	Power Supply Voltage	3.0	3.3	3.6	V
VIN	Input Voltage	0	Vcc	Vcc+0.3	V
VCC25	Internal Power Supply	2.25	2.5	2.75	V

Above technical information is based on industry standard data and tested to be reliable. However, Transcend makes no warranty, either expressed or implied, as to its accuracy and assumes no liability in connection with the use of this product. Transcend reserves the right to make changes in specifications at any time without prior notice.