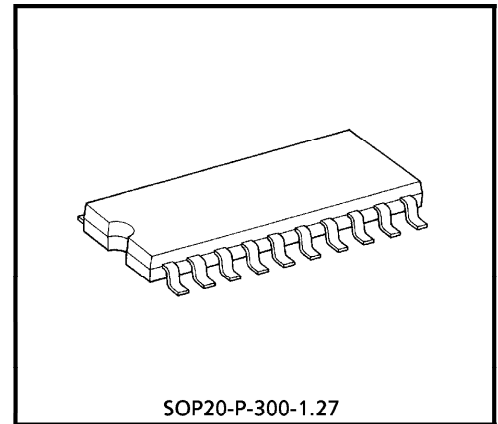


TD7614F

3-WIRE BUS, 1.3GHz-FREQUENCY SYNTHESIZER IC

FEATURES

- 3-wire bus system (software-compatible with TD6380 series).
- Built-in 4-band switch transistor.
- Built-in tuning amp (high withstanding voltage of 35V).
- Select switch can be selection of 31.25kHz, 50kHz or 62.5kHz frequency steps.
(Selected by open, V_{CC} or GND)
- Effects on sound signal suppressed by raising reference frequency.
- Compact flat package : 20-pin FP (1.27mm pitch).
- Pin layout is mirror image of TD6380 series.

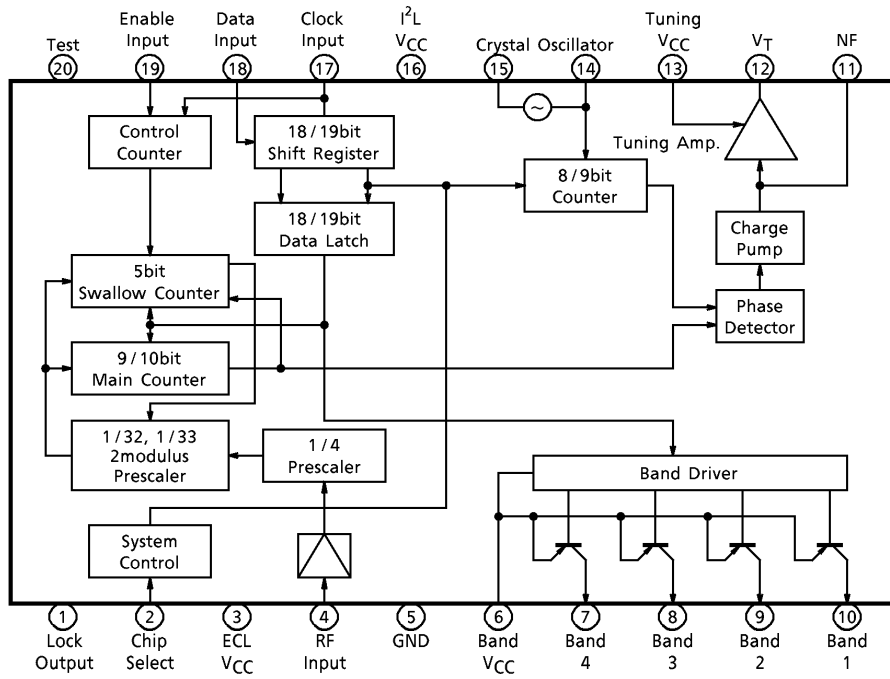


Weight : 0.25g (Typ.)

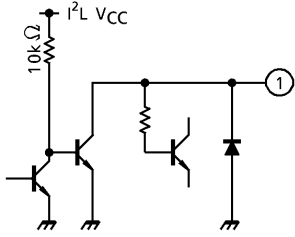
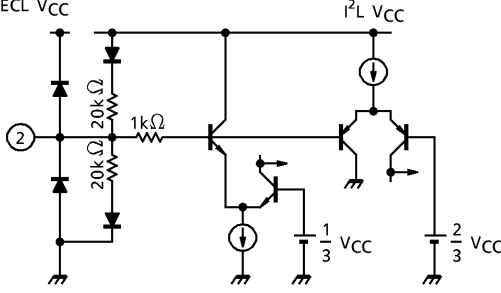
FREQUENCY STEPS	CRYSTAL OSCILLATOR	SELECT SWITCH
31.25kHz	4.0MHz	GND
50.0kHz	3.2MHz	V _{CC}
62.5kHz	4.0MHz	Open

(Note) This product is susceptible to surge voltages, so should be used with extreme care.

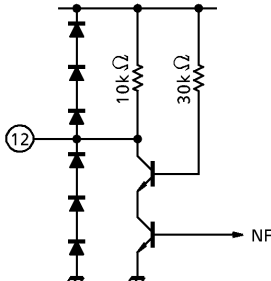
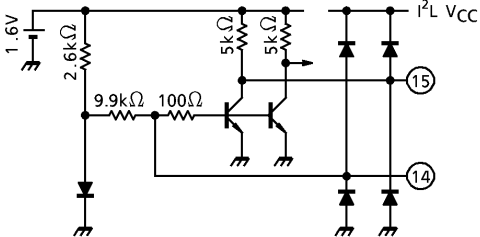
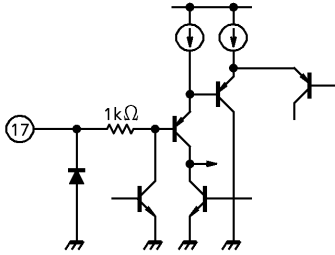
BLOCK DIAGRAM



TERMINAL FUNCTION

PIN No.	PIN NAME	FUNCTION	INTERFACE CIRCUIT
1	$\overline{\text{Lock}}$ Output	<p>In normal use, connecting a $5.1\text{k}\Omega$ pull-up resistor to V_{CC} sets this output to low level when the phase-locked loop (PLL) is locked. When the phase error of phase comparator continues less than $2\mu\text{s}$ and more than three cycles, the loop is regarded as locked. In test modes, this terminal switches test mode 1 or 2. In test mode 3, this pin functions as an output pin for the frequency divided ($1/128$) by the prescaler. When measuring the input sensitivity of the prescaler, connect a $1\text{k}\Omega$ pull-up resistor to the 0.4V power supply. The incoming current fluctuates the internal GND therefore avoid the apparent drop in input sensitivity.</p>	
2	Chip Select	<p>The internal reference frequency varies depending on the voltage applied. There are two internal thresholds ; $1/3 V_{CC}$ and $2/3 V_{CC}$. With open, the internal bias becomes $1/2 V_{CC}$. The frequency steps are as follows.</p> <p>Open : $4.0\text{MHz} \div 2^8 \times 4 = 62.5\text{kHz}$</p> <p>GND : $4.0\text{MHz} \div 2^9 \times 4 = 31.25\text{kHz}$</p> <p>$V_{CC}$: $3.2\text{MHz} \div 2^8 \times 4 = 50.0\text{kHz}$</p>	
3	ECL V_{CC}	<p>This terminal supplies current to the prescaler. Connect a capacitor to reduce impedance and thus eliminate power supply ripples.</p>	<p>—</p>

PIN No.	PIN NAME	FUNCTION	INTERFACE CIRCUIT
4	RF Input	Unlike current ICs, this IC has no reference terminal for input. Therefore, the GND and V_{CC} impedance must be reduced sufficiently to suppress input terminal bias fluctuation due to interference.	
5	GND	Since the current for all blocks flows out of GND, be sure to make the pattern line as wide and short as possible, and certain to connect a capacitor to the power supply line.	—
6	Band V_{CC}	Due to the structure of the band driver circuit, use a voltage of between 8V and 14V.	—
7	Band 4	Can be driven at up to maximum 50mA per band. The voltage drop is below 0.15V (when V_{CC} is 12V). Do not drive more than 2 bands simultaneously because of heat due to power consumption. These terminals are built in overcurrent protection circuits. When the terminal voltage drops below 4.5V, the internal comparator is activated and driving stops. This mode continues until the terminal is no longer overloaded.	
8	Band 3		
9	Band 2		
10	Band 1		
11	NF	This terminal provides negative feedback for the active filter. The filtered current is amplified by the Darlington transistor then passed to the tuning amp.	

PIN No.	PIN NAME	FUNCTION	INTERFACE CIRCUIT
12	V_T	This terminal is for high-withstanding-voltage tuning amp output. There is no output voltage drop when $V_{CC} = 33V$ is applied.	
13	Tuning V_{CC}	This terminal supplies current to the 30V tuning amp. Connect a capacitor between this terminal and GND.	—
14	Crystal Oscillator	These are crystal oscillator terminals used to generate the reference signal. The circuit consists of an inverter amp with a transistor. Since the reference signal is transmitted forward from the base of the transistor, when the reference signal is derived from other than the crystal oscillator, connect them to pin 14. Pin 15 is not used.	
15			—
16	$I^2L V_{CC}$	This terminal supplies current to the logic. Connect a capacitor between this terminal and GND.	—
17	Clock Input	In normal use, this terminal is used to input clock pulses. Since the input is received by the base of a PNP transistor, the incoming current is extremely small. In test modes 1 and 2, this terminal is used to output the reference signal obtained by dividing the crystal oscillator frequency. In test mode 3, the reference signal can be input externally, and the operation of the phase comparator can be monitored.	

PIN No.	PIN NAME	FUNCTION	INTERFACE CIRCUIT
18	Data Input	Input interface circuit is the same as clock pin. In test modes 1 and 2, this terminal is used for main counter output. In test mode 3, this terminal is used to input comparison signal of the phase comparator in order to compare the phase with that of the signal input from pin 17. (Data are output to the NF terminal).	
19	Enable Input	Input interface circuit is the same as clock terminal. In normal use, this terminal counts clocks from rise to fall of the enable signal. Clocks other than 18 or 19 are ignored. In the case of test mode, this terminal switches test modes.	
20	Test	Setting this terminal to low level (GND or open) results in normal tuning. Setting this terminal to high level (VCC : 5V) switches mode to test mode, enabling tests 1-3.	

MAXIMUM RATINGS (Ta = 25°C)

CHARACTERISTIC	SYMBOL	RATING	UNIT
Supply Voltage 1	V _{CC1}	6.0	V
Supply Voltage 2	V _{CC2}	6.0	V
Supply Voltage 3	V _{CC3}	15	V
Supply Voltage 4	V _{CC4}	35	V
Power Dissipation	P _D	925	mW
Operating Temperature	T _{opr}	- 20~75	°C
Storage Temperature	T _{stg}	- 55~150	°C

(Note) When using the device at above Ta = 25°C, decrease the power dissipation by 7.4mW for each increase of 1°C.

RECOMMENDED SUPPLY VOLTAGE

PIN No.	PIN NAME	MIN.	TYP.	MAX.	UNIT
3	ECL V _{CC}	4.5	5.0	5.5	V
16	I ² L V _{CC}	4.5	5.0	5.5	V
6	Band Driver V _{CC}	8	12	13.2	V
13	Tuning V _{CC}	—	33	34	V

ELECTRICAL CHARACTERISTICS (Unless otherwise specified, V_{CC1} = 5V, V_{CC2} = 12V, V_{CC3} = 33V, Ta = 25°C)

CHARACTERISTIC	SYMBOL	TEST CIRCUIT	TEST CONDITION	MIN.	TYP.	MAX.	UNIT
Supply Current 1	I _{CC1}	1	ECL	20		50	mA
Supply Current 2	I _{CC2}		I ² L			25	
Supply Current 3	I _{CC3}		Turns on a band driver		55	65	
Supply Current 4	I _{CC4}				5	10	
Band Driver Drive Current	I _{BD}	1			50	55	
Band Driver Drive Voltage Drop	V _{BD SAT}	1	I _{BD} = 50mA			0.15	V
Tuning Amp Output Low-Level Voltage	V _{TOUT}	2			0.6		
Prescaler Input Sensitivity	V _{IN1}	3	f = 80~150MHz	-20	—	3	dBmW (50Ω)
	V _{IN2}		f = 150~1000MHz	-27	—	3	
	V _{IN3}		f = 1.0~1.3GHz	-20	—	3	
Clock Pulse Width	T _C	2	duty = 50%	3			μs
Data Hold Time	T _H		duty = 50%	3			
Enable Set Up Time	T _L			10			
Enable Hold Time	T _{SL}			3			
Next Clock Disable Time	T _{NC}			7			
Selector Switch Threshold Voltage	High Level V _{th H}	2		3.0	3.3	3.6	V
	Low Level V _{th L}			1.4	1.7	2.0	
Bus Interface Pin Input Current	High Level I _{BI H}	2	Applies to enable, data, and clock			10	μA
	Low Level I _{BI L}		Applies to enable, data, and clock	-20			
Bus Interface Pin Input Voltage	High Level V _{BI H}	2	Applies to enable, data, and clock	3.0			V
	Low Level V _{BI L}		Applies to enable, data, and clock			0.8	

CHARACTERISTIC		SYMBOL	TEST CIR-CUIT	TEST CONDITION	MIN.	TYP.	MAX.	UNIT
Output Mode Output Voltage	High Level	$V_{LO H}$	4	Applies to lock, data, and clock	3.0			V
	Low Level	$V_{LO L}$						
Selector Switch Open Voltage		$V_{th O}$	2		2.2	2.5	2.8	V

TEST MODE OPERATION

Setting the test terminal (pin 20) to high level enters test modes. There are three kinds of test modes as follows :

(1) Test modes 1 and 2

Test modes 1 and 2 are used to test the PLL lock state. After data are input to the main counter and swallow counter, set the test terminal (pin 20) to high level while keeping the enable terminal (pin 19) at low level. In this state, the comparison frequency signal is output to the clock terminal (pin 17) and main counter division signal to the data terminal (pin 18). The high-frequency signal is input from the RF input terminal (pin 4).

The prescaler divider ratio can be switched by changing the voltage applied to the $\overline{\text{Lock}}$ output terminal (pin 1).

Lock output (pin 1) applied voltage at high level : 1/4 divider ratio

Lock output (pin 1) applied voltage at low level : 1/1 divider ratio

(2) Test mode 3

Test mode 3 is used to test the prescaler, phase comparator, and charge pump. Setting both the test terminal (pin 20) and the enable terminal (pin 19) to high level enters test mode 3. The comparison frequency signal of phase comparator is input from the clock terminal (pin 17), the compared frequency signal is input from the data terminal (pin 18), and the prescaler output (fixed at 1/128 divider ratio) is output to the lock output terminal (pin 1).

The output polarity of phase comparator is as follows.

INPUT FREQUENCY	NF OUTPUT PIN (pin 11)
Input frequency > programmed frequency	High level
Input frequency < programmed frequency	Low level

TEST MODE

PIN NAME	MODE 1	MODE 2	MODE 3
Lock output (pin 1)	High level 1/4	Low level 1/1	1/128
RF input (pin 4)	RF input (1/4 normal mode frequency input)	RF input	RF input
Clock input (pin 17)	Select switch (pin 2) Open : 15.625kHz V _{CC} : 12.5kHz GND : 7.8125kHz	Select switch (pin 2) Open : 15.625kHz V _{CC} : 12.5kHz GND : 7.8125kHz	The reference signal input of phase comparator
Data input (pin 18)	Main counter output	Main counter output	The compared frequency signal input of phase comparator
Enable input (pin 19)	Low level	Low level	High level
Test (pin 20)	High level	High level	High level

TIMING OF DATA INPUT

The method of inputting data will be indicated in the diagram 1.

COMPUTATION OF LOCK FREQUENCY

Lock frequency is calculated as follows :

$$f_{OSC} = f_r \times 4 \times (32M + S)$$

f_{OSC} : The oscillation frequency of VCO (the input frequency signal of a prescaler)

f_r : Reference frequency : it will be $1/2^8$ or $1/2^9$ of the oscillation frequency of a crystal oscillator.

M : Preset value of Main counter.

S : Preset value of Swallow counter.

ITEM	SELECTION (Pin 2)		
	OPEN	V _{CC}	GND
Main Counter	9bit	10bit	10bit
Swallow Counter	5bit	5bit	5bit
Reference Frequency	15.625kHz $4\text{MHz} / 2^8$	12.5kHz $3.2\text{MHz} / 2^8$	7.8125kHz $4\text{MHz} / 2^9$
Frequency Step	62.5kHz	50kHz	31.25kHz

Fig.1 Normal use

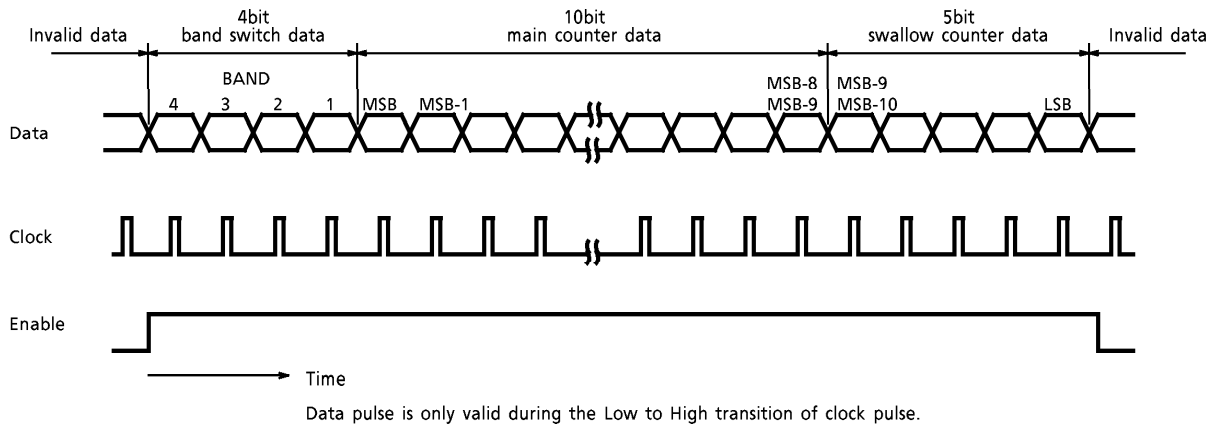


Fig.2 Test mode (mode 1, 2)

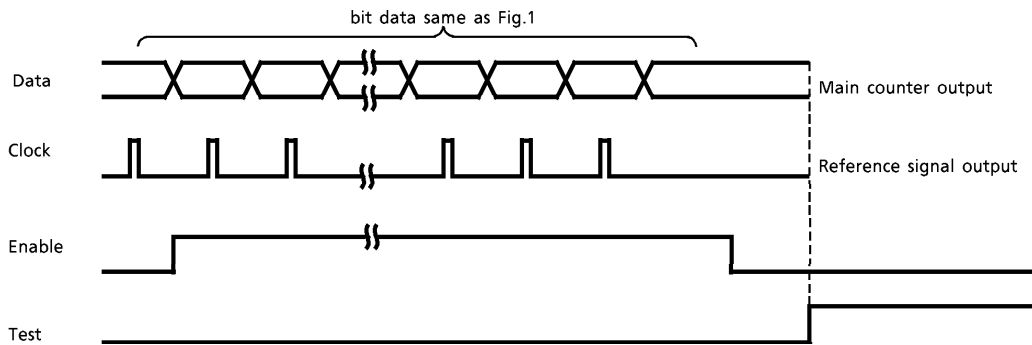
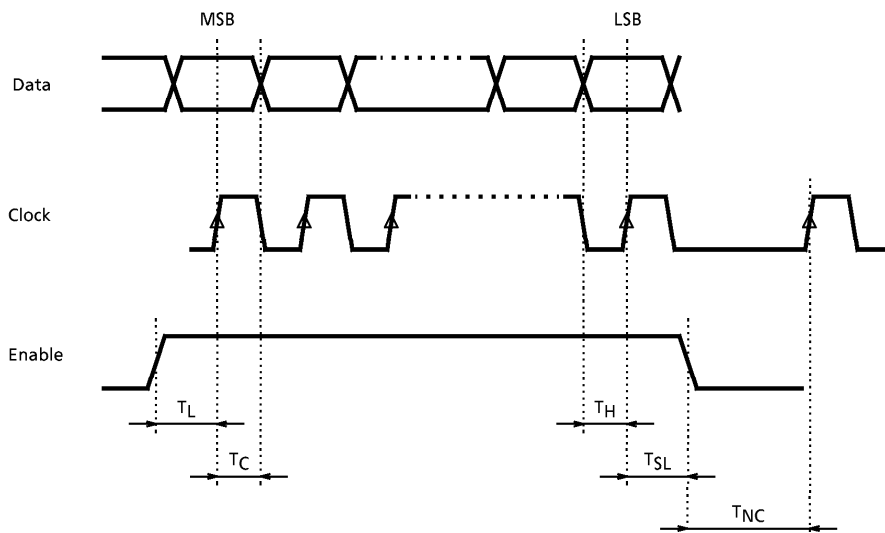
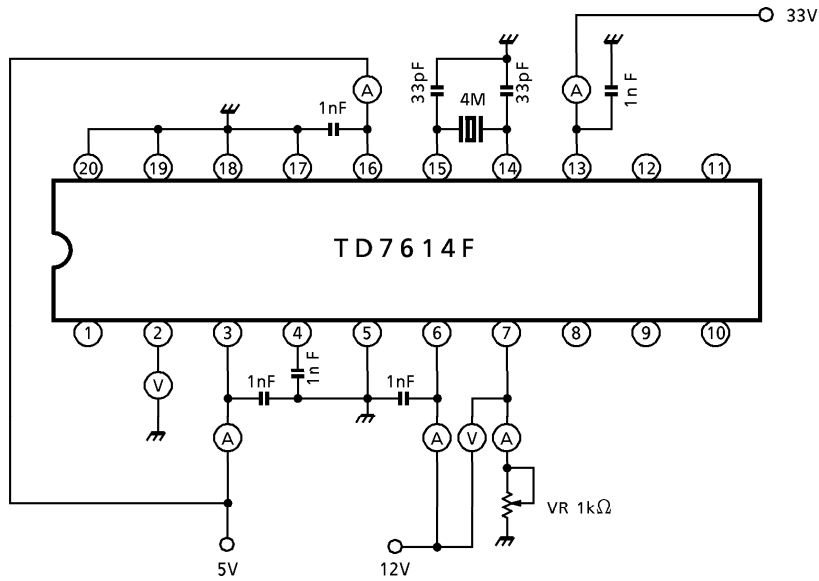


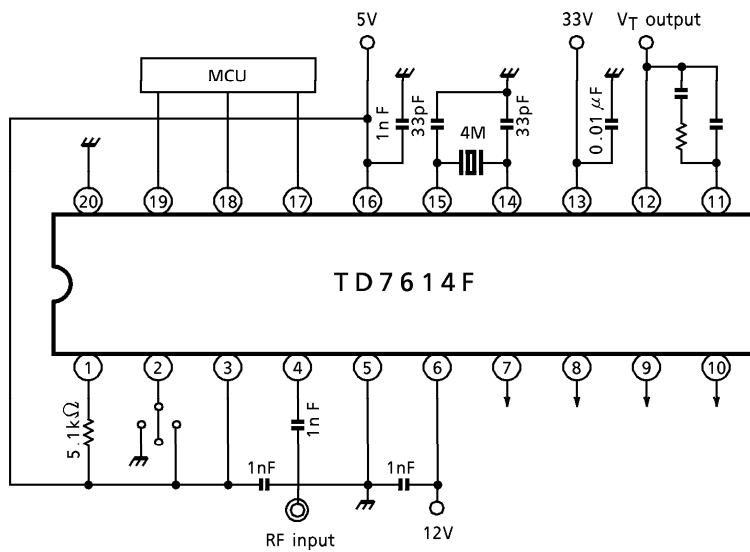
Fig.3 Timing chart of 3 wire-bus (rising timing)



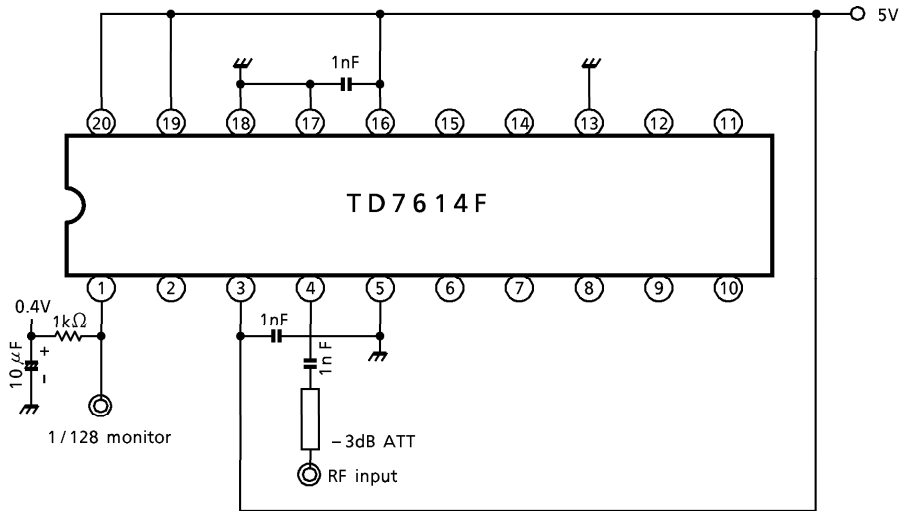
TEST CIRCUIT 1. Supply test circuit



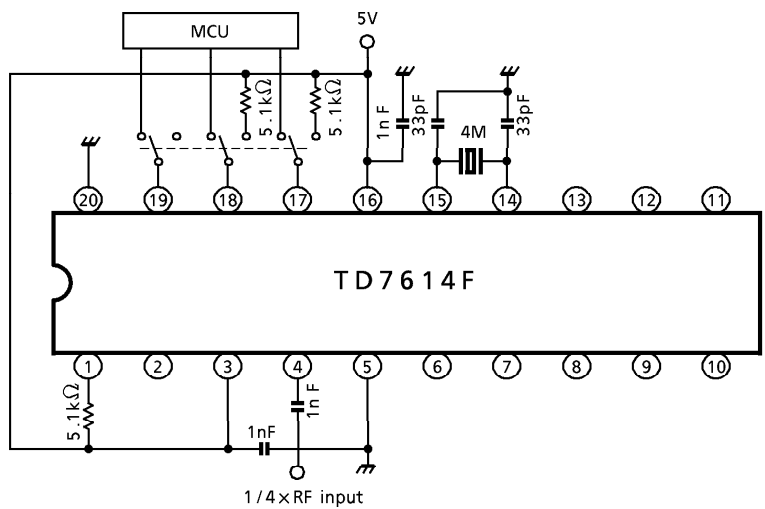
TEST CIRCUIT 2. AC operating test circuit

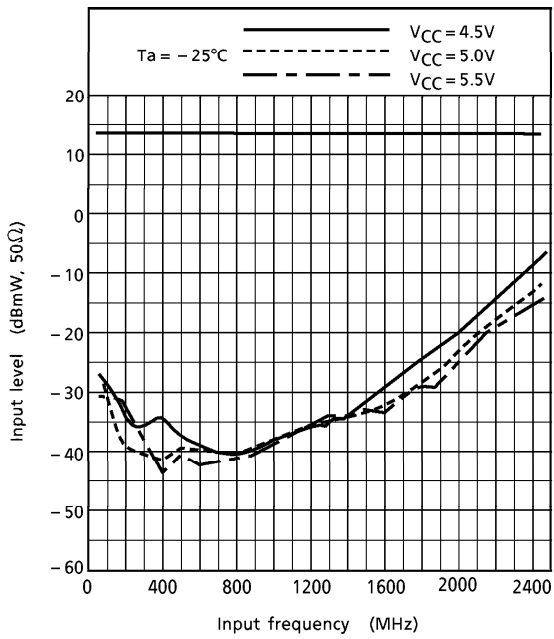
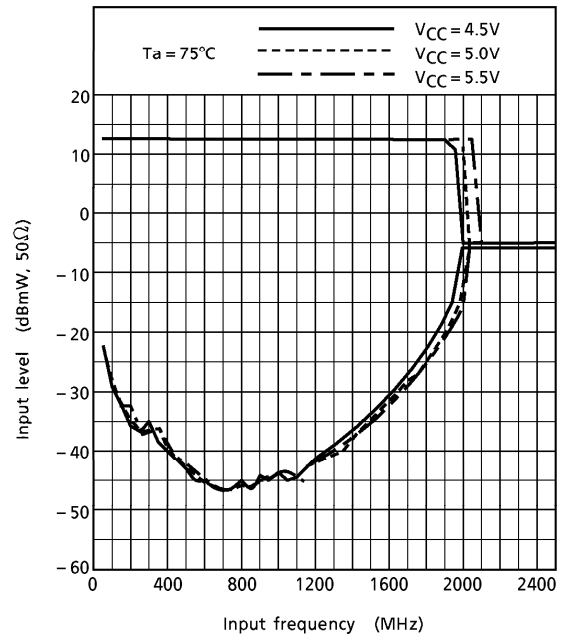
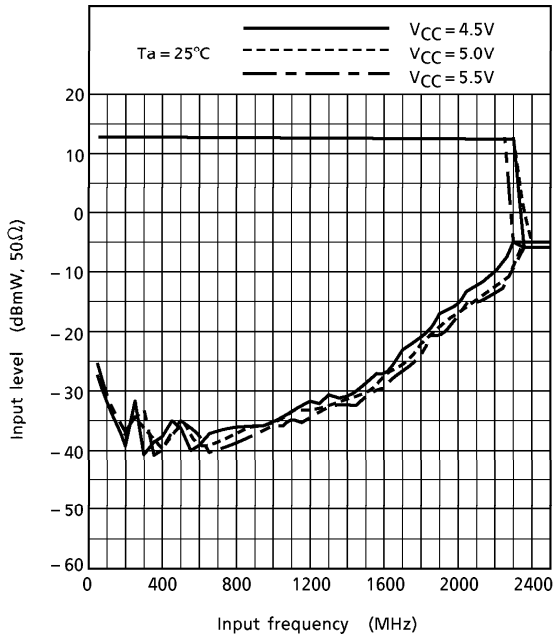


TEST CIRCUIT 3. Input sensitivity test circuit

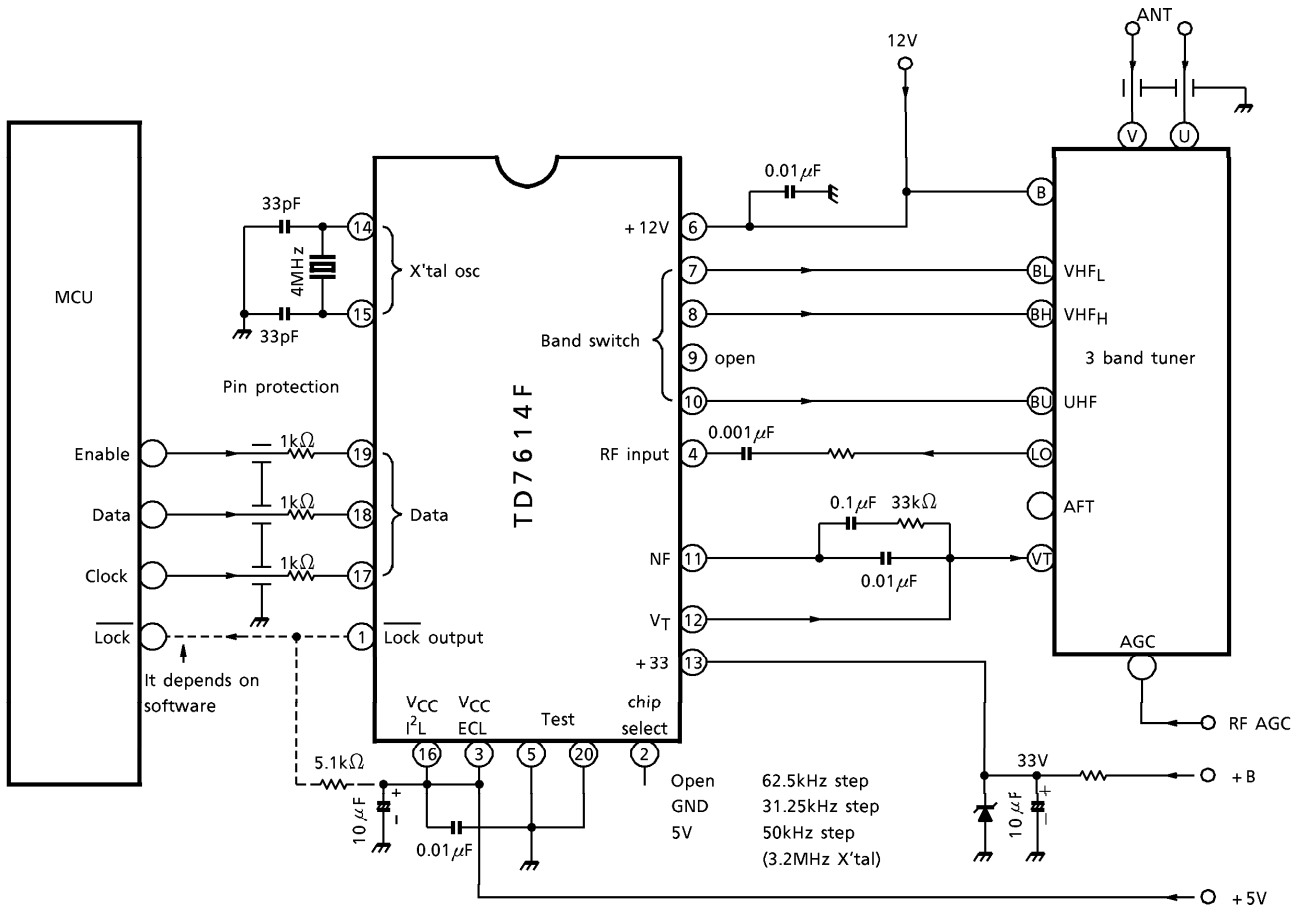


TEST CIRCUIT 4. Output mode test circuit



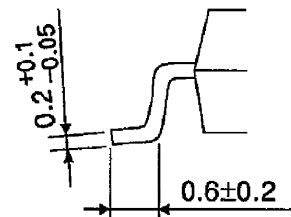
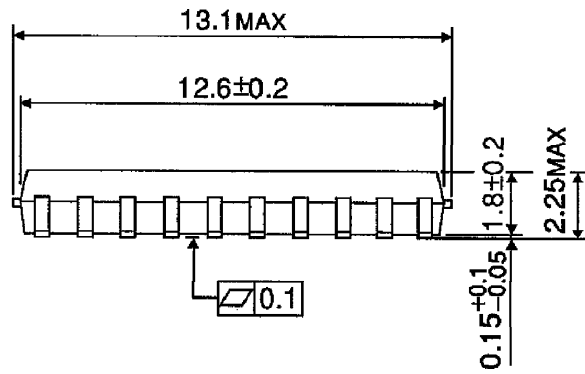
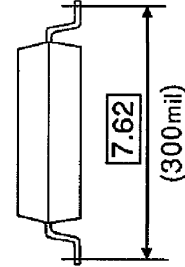
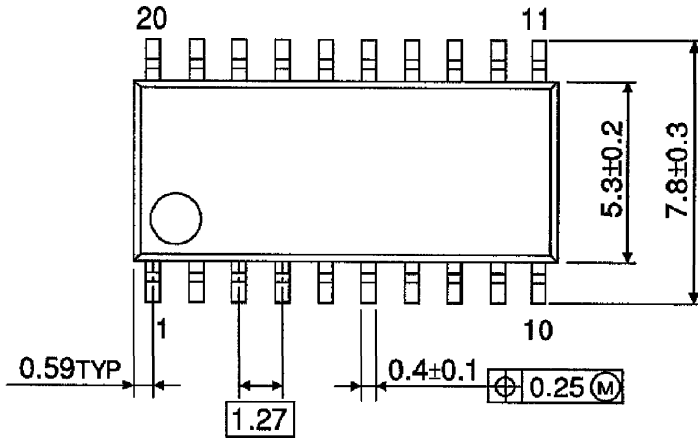


APPLICATION CIRCUIT EXAMPLE OF FREQUENCY SYNTHESIZER



PACKAGE DIMENSIONS
SOP20-P-300-1.27

Unit : mm



Weight : 0.25g (Typ.)

RESTRICTIONS ON PRODUCT USE

000707EBA

- TOSHIBA is continually working to improve the quality and reliability of its products. Nevertheless, semiconductor devices in general can malfunction or fail due to their inherent electrical sensitivity and vulnerability to physical stress. It is the responsibility of the buyer, when utilizing TOSHIBA products, to comply with the standards of safety in making a safe design for the entire system, and to avoid situations in which a malfunction or failure of such TOSHIBA products could cause loss of human life, bodily injury or damage to property. In developing your designs, please ensure that TOSHIBA products are used within specified operating ranges as set forth in the most recent TOSHIBA products specifications. Also, please keep in mind the precautions and conditions set forth in the "Handling Guide for Semiconductor Devices," or "TOSHIBA Semiconductor Reliability Handbook" etc..
- The TOSHIBA products listed in this document are intended for usage in general electronics applications (computer, personal equipment, office equipment, measuring equipment, industrial robotics, domestic appliances, etc.). These TOSHIBA products are neither intended nor warranted for usage in equipment that requires extraordinarily high quality and/or reliability or a malfunction or failure of which may cause loss of human life or bodily injury ("Unintended Usage"). Unintended Usage include atomic energy control instruments, airplane or spaceship instruments, transportation instruments, traffic signal instruments, combustion control instruments, medical instruments, all types of safety devices, etc.. Unintended Usage of TOSHIBA products listed in this document shall be made at the customer's own risk.
- The products described in this document are subject to the foreign exchange and foreign trade laws.
- The information contained herein is presented only as a guide for the applications of our products. No responsibility is assumed by TOSHIBA CORPORATION for any infringements of intellectual property or other rights of the third parties which may result from its use. No license is granted by implication or otherwise under any intellectual property or other rights of TOSHIBA CORPORATION or others.
- The information contained herein is subject to change without notice.