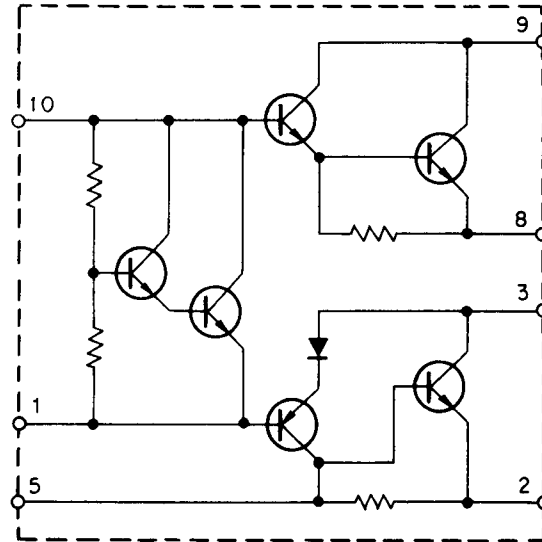


<b>APPLICATION</b>	<b>25W MIN. AF POWER AMPLIFIER OUTPUT STAGE (D. P. P.)</b>	<b>NAME</b>	<b>STK-0029</b>
<b>MODEL</b>	<b>SX-580</b>	<b>TYPE</b>	<b>HYBRID LINEAR IC</b>

**EQUIVALENT CIRCUIT**



**PIN FUNCTION**

Pin No.	Function
1	Input (-)
2	Negative power supply
3	Output
4	NC
5	
6	NC
7	
8	Output
9	Positive power supply
10	Input (+)

SP

STK