

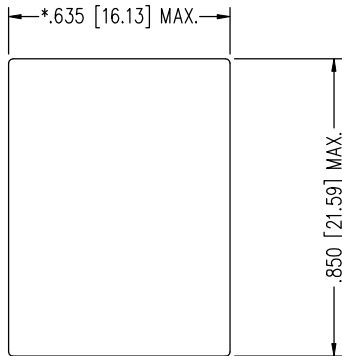


Stewart Connector Systems, Inc.  
 Insilco Technologies Group  
 11118 Susquehanna Trail South  
 Glen Rock, PA 17327-9199  
 (717) 235-7512 Fax: (717) 235-7954

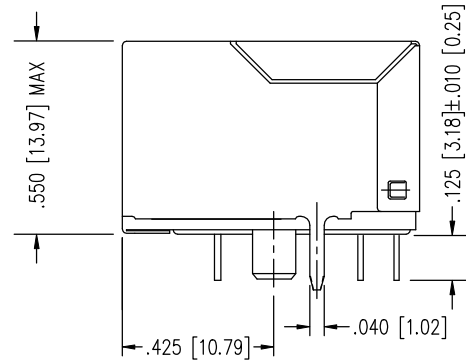
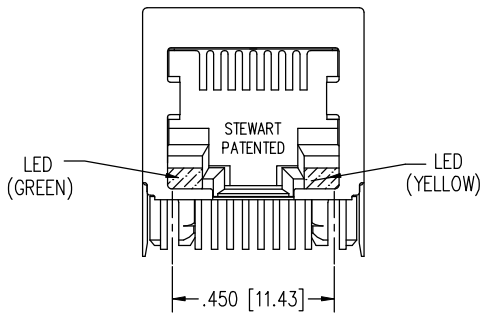
REV.	REVISION CHANGES
A0	AS DRAWN

PART NO. SS-7488S-GY-PG1

ONE PIECE SHIELDED SINGLE PORT LED JACK  
 "-GY" DESIGNATES LED COLOR COMBINATIONS  
 e.g. "-GY" USES A GREEN AND YELLOW LED  
 "-PG1" DESIGNATES NO PANEL GROUNDS



**FOR REFERENCE ONLY**



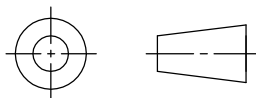
NOTES:

- FOR LED DATA AND FOOTPRINT, SEE SHEET 2 OF 2
- TOLERANCES COMPLY WITH F.C.C. DIMENSION REQUIREMENTS
- DIMENSIONS SHOWN WITH "\*" TO BE CENTRAL ABOUT CENTER LINE
- DIMENSIONS SHOWN ARE SUBJECT TO CHANGE WITHOUT NOTICE CONSULT FACTORY BEFORE ORDERING

AVAILABLE WITH:

- 30 & 50 MICRO-INCH SELECTIVE GOLD PLATING
- LOADED 1 - 8 CONTACTS

THIRD ANGLE PROJECTION



THIS DRAWING AND THE SUBJECT MATTER SHOWN THEREON ARE CONFIDENTIAL AND THE PROPRIETARY PROPERTY OF STEWART CONNECTOR SYSTEMS ("SCS") AND SHALL NOT BE REPRODUCED, COPIED OR USED IN ANY MANNER WITHOUT PRIOR WRITTEN CONSENT OF "SCS". THE SUBJECT MATTER MAY BE PATENTED OR A PATENT MAY BE PENDING. © SCS



Stewart Connector Systems, Inc.  
 Insilco Technologies Group  
 11118 Susquehanna Trail South  
 Glen Rock, PA 17327-9199  
 (717) 235-7512 Fax: (717) 235-7954

REV.	REVISION CHANGES
A0	AS DRAWN

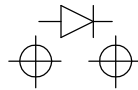
PART NO. SS-7488S-GY-PG1

### LED SPECIFICATIONS

STANDARD LED	* FORWARD VOLTAGE (MAX)	* FORWARD VOLTAGE (TYP)	POWER DISSIPATION	WAVELENGTH	LUMINOUS INTENSITY @ 10mA	
					MIN	MAX
GREEN DIFFUSED	2.6 V	2.25 V	105 mW	555 nm	2 MCD	8 MCD
YELLOW DIFFUSED	2.5 V	2.1 V	105 mW	590 nm	2 MCD	8 MCD

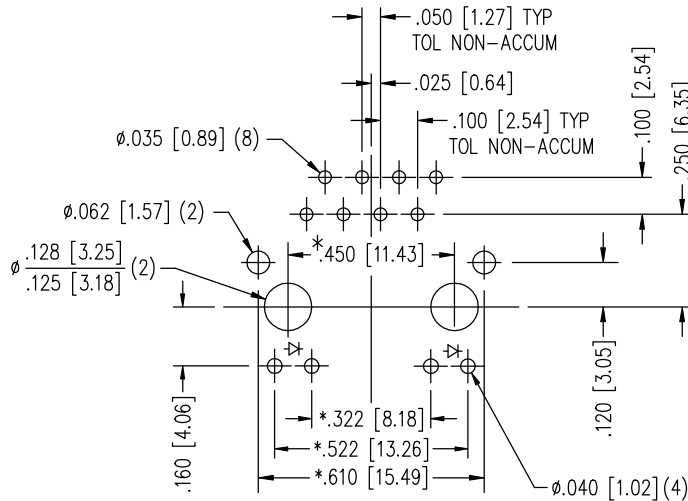
\* WITH A FORWARD CURRENT OF 20 mA

### LED POLARITY (ENLARGED VIEW)



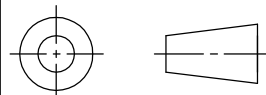
SINGLE COLOR LED

**FOR REFERENCE ONLY**



P.C.B. RECOMMENDED HOLE LAYOUT  
 SEEN FROM COMPONENT SIDE  
 TOLERANCE ±.003 [0.08] UNLESS OTHERWISE SPECIFIED

### THIRD ANGLE PROJECTION



THIS DRAWING AND THE SUBJECT MATTER SHOWN THEREON ARE CONFIDENTIAL AND THE PROPRIETARY PROPERTY OF STEWART CONNECTOR SYSTEMS ("SCS") AND SHALL NOT BE REPRODUCED, COPIED OR USED IN ANY MANNER WITHOUT PRIOR WRITTEN CONSENT OF "SCS". THE SUBJECT MATTER MAY BE PATENTED OR A PATENT MAY BE PENDING. © SCS