

# Single Phase Power / Energy IC with SPI Interface



**sames**

## SA9903B

### FEATURES

- Bi-directional active and reactive power/energy measurement
- RMS Voltage and frequency measurement
- SPI communication bus
- Meets the IEC 521/1036 Specification requirements for Class 1 AC Watt hour meters
- Meets the IEC 1268 Specification requirements for VAR hour meters
- Protected against ESD
- Total power consumption rating below 25mW
- Adaptable to different current sensor technologies
- Operates over a wide temperature range
- Precision voltage reference on-chip

### DESCRIPTION

The SAMES SA9903B is a single phase bi-directional energy/power metering integrated circuit that performs measurement of active and reactive power, mains voltage and mains frequency.

The SA9903B is pin compatible to the SA9603B. New features include, RMS mains voltage and accurate reactive power measurements.

Measured values for active and reactive energy, the mains voltage and frequency are accessible through a SPI bus from 24 bit registers.

This innovative universal single phase power/energy metering integrated circuit is ideally suited for energy calculations in applications such as electricity dispensing systems (ED's), residential municipal metering and factory energy metering and control.

The SA9903B integrated circuit is available in both 20 pin dual-in-line plastic (DIP-20), as well as 20 pin small outline (SOIC-20) package types.

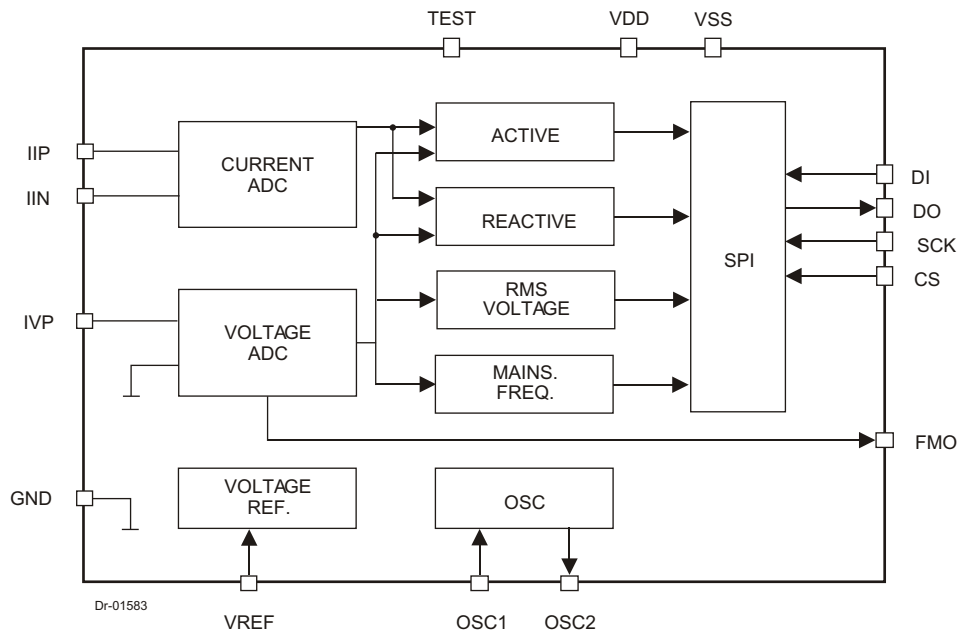


Figure 1: Block diagram


**ELECTRICAL CHARACTERISTICS**

 ( $V_{DD} = 2.5V$ ,  $V_{SS} = -2.5V$ , over the temperature range  $-10^{\circ}C$  to  $+70^{\circ}C^{\#}$ , unless otherwise specified.)

Parameter	Symbol	Min	Typ	Max	Unit	Condition
Operating temp. Range	$T_O$	-25		+85	$^{\circ}C$	
Supply Voltage: Positive	$V_{DD}$	2.25		2.75	V	
Supply Voltage: Negative	$V_{SS}$	-2.75		-2.25	V	
Supply Current: Positive	$I_{DD}$		3.56	5.1	mA	
Supply Current: Negative	$I_{SS}$		3.56	5.1	mA	
<b>Current Sensor Inputs (Differential)</b>						
Input Current Range	$I_{II}$	-25		+25	$\mu A$	Peak value
<b>Voltage Sensor Input (Asymmetrical)</b>						
Input Current Range	$I_{IV}$	-25		+25	$\mu A$	Peak value
Oscillator	Recommended crystal: TV colour burst crystal $f = 3.5795$ MHz					
Pin VREF Ref. Current Ref. Voltage	$-I_R$ $V_R$	45 1.1	50	55 1.3	$\mu A$ V	With $R = 24k$ connected to $V_{SS}$ Reference to $V_{SS}$
<b>Digital I/O</b>						
Pins SCK High Voltage Low Voltage	$V_{IH}$ $V_{IL}$	$V_{DD}-1$		$V_{SS}+1$	V V	
	$f_{SCK}$ $t_{LO}$ $t_{HI}$	0.6 0.6		800	kHz $\mu s$ $\mu s$	
Pins CS, DI High Voltage Low Voltage	$V_{IH}$ $V_{IL}$	$V_{DD}-1$		$V_{SS}+1$	V V	
Pins FMO, DO Low Voltage High Voltage	$V_{OL}$ $V_{OH}$	$V_{DD}-1$		$V_{SS}+1$	V V	$I_{OL} = 5mA$ $I_{OH} = -2mA$

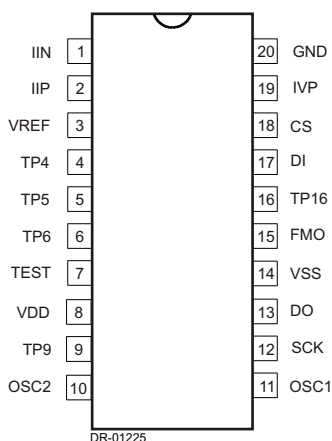
**ABSOLUTE MAXIMUM RATINGS\***

Parameter	Symbol	Min	Max	Unit
Supply Voltage	$V_{DD}-V_{SS}$	-0.3	6.0	V
Current on any pin	$I_{PIN}$	-150	+150	mA
Storage Temperature	$T_{STG}$	-40	+125	$^{\circ}C$
Operating Temperature	$T_O$	-40	+85	$^{\circ}C$

\*Stresses above those listed under "Absolute Maximum Ratings" may cause permanent damage to the device. This is a stress rating only. Functional operation of the device at these or any other condition above those indicated in the operational sections of this specification, is not implied. Exposure to Absolute Maximum Ratings for extended periods may affect device reliability.

**PIN DESCRIPTION**

PIN	Designation	Description
20	GND	Analog Ground. The supply voltage to this pin should be mid-way between $V_{DD}$ and $V_{SS}$ .
8	$V_{DD}$	Positive Supply voltage. The voltage to this pin is typically +2.5V if a shunt resistor is used for current sensing or in the case of a current transformer a +5V supply can be applied.
14	$V_{SS}$	Negative Supply Voltage. The voltage to this pin is typically -2.5V if a shunt resistor is used for current sensing or in the case of a current transformer a 0V supply can be applied.
19	IVP	Analog Input for Voltage. The current into the A/D converter should be set at $14\mu A_{RMS}$ at nominal mains voltage. The voltage sense input saturates at an input current of $\pm 25\mu A$ peak.
1, 2	IIN, IIP	Inputs for current sensor. The shunt resistor voltage from each channel is converted to a current of $16\mu A_{RMS}$ at rated conditions. The current sense input saturates at an input current of $\pm 25\mu A$ peak.
3	VREF	This pin provides the connection for the reference current setting resistor. A 24k resistor connected to $V_{SS}$ sets the optimum operating condition.
7	TEST	Manufacturers test pin, connect to $V_{SS}$ for normal operation.
10, 11	OSC1, OSC2	Connections for a crystal or ceramic resonator. (OSC1 = input; OSC2 = Output)
12	SCK	Serial clock in. This pin is used to strobe data in and out of the SA9903B
13	DO	Serial data out. Data from the SA9903B is strobed out on this pin. DO is only driven when CS is active.
15	FMO	Voltage zero crossover. The FMO output generates a pulse (50% duty cycle) on every rising edge of the mains voltage.
17	DI	Serial data in. Data is only accepted during an active chip select (CS).
18	CS	Chip select. The CS pin is active high.
4, 5, 6, 9, 16	TP4, TP5, TP6, TP9, TP16	Manufacturers Test Pins. (Leave unconnected)

**ORDERING INFORMATION**

Part Number	Package
SA9903BPA	DIP-20
SA9903BSA	SOIC-20

Figure 2: Pin connections: Package: DIP-20, SOIC-20

## FUNCTIONAL DESCRIPTION

The SA9903B is a CMOS mixed signal Analog/Digital integrated circuit, which performs the measurement of active power, reactive power, RMS voltage and mains frequency. The integrated circuit includes all the required functions for single-phase power and energy measurement such as two oversampling A/D converters for the voltage and current sense inputs, power calculation and energy integration.

The SA9903B integrates instantaneous active and reactive power in 24 bit integrators. RMS voltage and frequency is continuously measured and stored in respective registers. The mains voltage zero crossover is available on the FMO output.

The SPI interface of the SA9903B has a tri-state output that allows connection of more than one metering device on a single SPI bus.

## INPUT SIGNALS

### Analog Input Configuration

The input circuitry of the current and voltage sensor inputs is illustrated in figure 3. These inputs are protected against electrostatic discharge through clamping diodes. The feedback loops from the outputs of the amplifiers  $A_i$  and  $A_v$  generate virtual shorts on the signal inputs. Exact duplications of the input currents are generated for the analog signal processing circuitry. The current and voltage sense inputs are identical. Both inputs are differential current driven up to  $\pm 25\mu\text{A}$  peak. One of the voltage sense amplifier input terminals is internally connected to GND. This is possible because the voltage sense input is much less sensitive to externally induced parasitic signals compared to the current sense inputs.

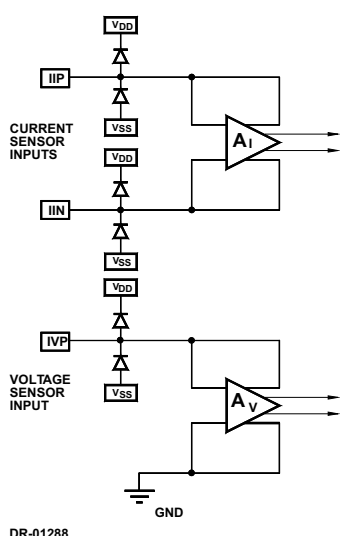


Figure 3: Analog input internal configuration

### Current Sense Input (IIP and IIN)

Figure 8 shows the typical connections for the current sensor input. The resistor R6 and R7 define the current level into the current sense inputs of the SA9903B. At rated current the resistor values should be selected for input currents of  $16\mu\text{A}_{\text{RMS}}$ . Values for resistors R6 and R7 may be calculated as follows:

$$R6 = R7 = (I_L / 16\mu\text{A}) \times \text{RSH} / 2$$

Where  $I_L$  = Max line current

RSH = Shunt resistor or termination resistor.

The voltage drop across RSH should not be less than 16mV at rated currents. In case a current transformer is used for current sensing the value of RSH should be less than the resistance of the CT's secondary winding.

### Voltage Sense Input (IVP)

The mains voltage is divided to  $14V_{\text{RMS}}$  at nominal mains voltage by means of resistors R1, R2, R3 and R4. The current into the voltage sense input is set at  $14\mu\text{A}_{\text{RMS}}$  with resistor R5 from the voltage divider. The voltage sense input of the AD converter saturates at an input current of  $\pm 25\mu\text{A}$  peak.

### Reference Voltage (VREF)

The VREF pin is the reference for the bias resistor. With a bias resistor of 24k optimum conditions are set. It may be varied within  $\pm 10\%$  for calibration purposes.

### Serial Clock (SCK)

The SCK pin is used to synchronize data interchange between the micro controller and the SA9903B. The clock signal on this pin is generated by the micro controller and determines the data transfer rate of the DO and DI pins.

### Serial Data In (DI)

The DI pin is the serial data input pin for the SA9903B. Data will be input at a rate determined by the Serial Clock (SCK). Data will be accepted only during an active chip select (CS).

### Chip Select (CS)

The CS input is used to address the SA9903B. An active high on this pin enables the SA9903B to initiate data exchange.



### OUTPUT SIGNALS SERIAL DATA OUT (DO)

The DO pin is the serial data output pin for the SA9903B. The Serial Clock (SCK) determines the data output rate. Data is only transferred during on active chip select (CS). This output is tri-state when CS is low.

### MAINS VOLTAGE SENSE ZERO CROSSOVER (FMO)

The FMO output generates a signal, which follows the mains voltage zero crossings, see figure 4. The micro controller may use the FMO to extract mains timing.

### ELECTROSTATIC DISCHARGE (ESD) PROTECTION

The SA9903B Integrated Circuit's inputs/outputs are protected against ESD.

### POWER CONSUMPTION

The power consumption rating of the SA9903B integrated circuit is less than 25mW.

### SPI - INTERFACE DESCRIPTION

A serial peripheral interface bus (SPI) is a synchronous bus used for data transfers between a micro controller and the SA9903B. The pins DO (Serial Data Out), DI (Serial Data In), CS (Chip Select), and SCK (Serial Clock) are used in the bus implementation. The SA9903B is the slave device with the micro controller the bus master. The CS input initiates and terminates data transfers. A SCK signal (generated by the micro controller) strobes data between the micro-controller and the SCK pin of the SA9903B device. The DI and DO pins are the serial data input and output pins for the SA9903B, respectively.

### REGISTER ACCESS

The SA9903B contains four 24 bit registers. The content represents active energy, reactive energy, mains voltage and mains frequency. The register addresses are shown in the following table:

ID	Register	Header bits			A5	A4	A3	A2	A1	A0
		1	1	0						
1	Active	1	1	0	X	X	0	0	0	0
2	Reactive	1	1	0	X	X	0	0	0	1
3	Voltage	1	1	0	X	X	0	0	1	0
4	Frequency	1	1	0	X	X	0	0	1	1

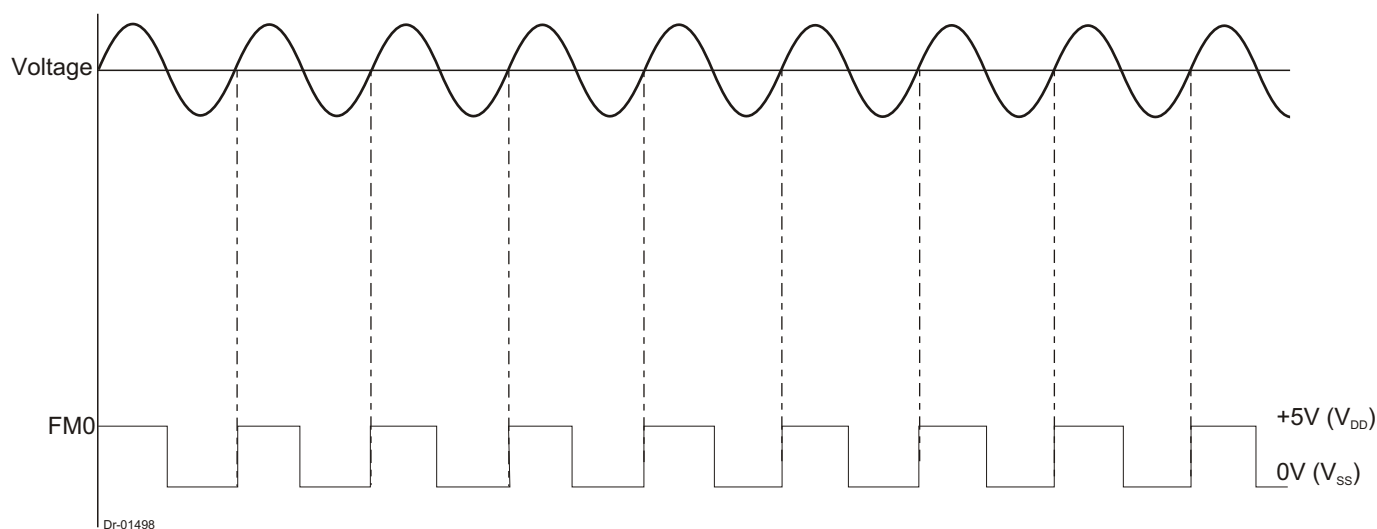


Figure 4: Mains voltage zero cossver pin FMO



The sequence 110 (0x06) must precede the 6-bit address of the register being accessed. When CS is HIGH, data on pin DI is clocked into the SA9903B on the rising edge of SCK. Figure 5 shows the data clocked into DI comprising of 1 1 0 A5 A4 A3 A2 A1 A0.

Address locations A5 and A4 are included for compatibility with future developments.

Registers may be read individually and in any order. After a register has been read, the contents of the next register value will be shifted out on the DO pin with every SCK clock cycle. Data output on DO will continue until CS is inactive.

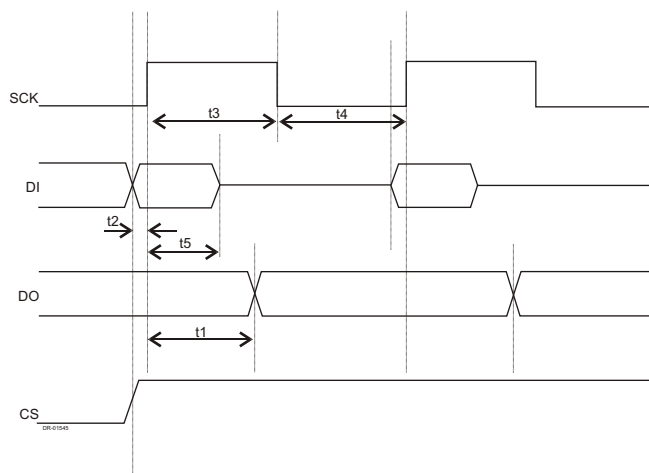
The 9 bits needed for register addressing can be padded with leading zeros when the micro-controller requires a 8 bit SPI word length. The following sequence is valid:

0000 0001 10A5A4 A3A2A1A0

**DATA FORMAT**

Figure 5 shows the SPI waveforms. After the least significant digit of the address has been entered on the rising edge of SCK, the output DO goes low with the falling edge of SCK. Each subsequent falling edge transition on the SCK pin will validate the next data bit on the DO pin.

The content of each register consists of 24 bits of data. The MSB is shifted out first.



Parameter	Description	Min	Max
t1	SCK rising edge to DO valid	625ns	1.160µs
t3	SCK min high time	625ns	
t4	SCK min low time	625ns	
t2	Setup time for DI and CS before the rising edge of SCK	20ns	
t5	DI hold time	625ns	

Figure 6: SPI Timing diagrams with timing information

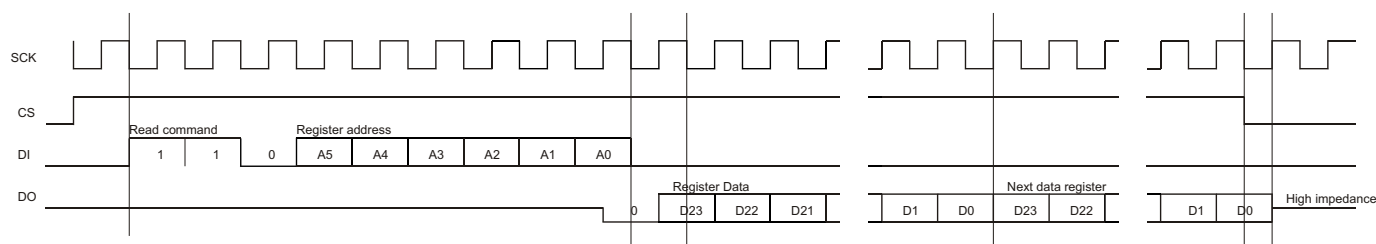
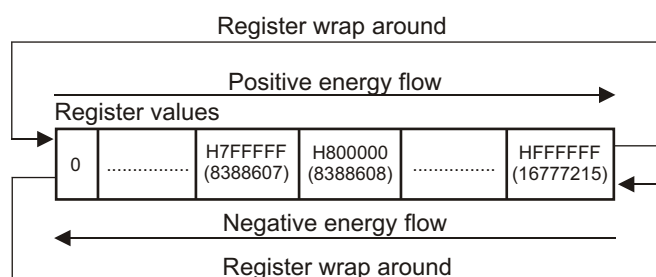


Figure 5: SPI waveforms



### ACTIVE AND REACTIVE REGISTER VALUES

The active and reactive registers are 24 bit up/down counters, that increment or decrement at a rate of 320k samples per second at rated conditions. The register values will increment for positive energy flow and decrement for negative energy flow as indicated in figure 7. The active and reactive registers are not reset after access, so in order to determine the correct register value, the previous value read must be subtracted from the current reading. The data read from the registers represents the active or reactive power integrated over time. The increase or decrease between readings represent the measured energy consumption.



DR-01590

Figure 7: Register increment / decrement showing the register wrap around

At rated conditions, the active and reactive registers will wrap around every 52 seconds. The micro controller program needs to take this condition into account when calculating the difference between register values.

As an example lets assume that with a constant load connected, the delta value (delta value = present register - previous / register value) is 22260. Because of the constant load, the delta value should always be 22260 every time the register is read and the previous value subtracted (assuming the same time period between reads). However this will not be true when a wrap around occurs, as the following example will demonstrate:

Description	Variable	Decimal	Hex
Present register value	new_val	16767215	0x00FFD8EF
Previous register value	old_val	16744955	0x00FF81FB
new_val - old_val =	delta_val	22260	0x000056F4
The register now wraps around so after the next read the values are as follows:			
Present register value	new_val	12260	0x00002FE4
Previous register value	old_val	16767215	0x00FFD8EF
new_val - old_val =	delta_val	-16754955	0x00FFA90B

Computing this delta value will result in incorrect calculations.

### USING THE REGISTER VALUES

#### ACTIVE ENERGY REGISTER

The active energy measured by the SA9903B is calculated as follows:

$$\text{Energy} = V_{\text{RATED}} \times I_{\text{RATED}} \times N / \text{INT}_{\text{TIME}} / 320000$$

$V_{\text{RATED}}$  Rated mains voltage of meter

$I_{\text{RATED}}$  Rated mains current of meter

$N$  Difference in register values between successive reads (delta value)

$\text{INT}_{\text{TIME}}$  Time difference between successive register reads (in seconds)

#### REACTIVE ENERGY REGISTER

The reactive energy measured by the SA9903B is calculated as follows:

$$\text{Reactive} = V_{\text{RATED}} \times I_{\text{RATED}} \times N / \text{INT}_{\text{TIME}} / 320000$$

$V_{\text{RATED}}$  Rated mains voltage of meter

$I_{\text{RATED}}$  Rated mains current of meter

$N$  Difference in register values between successive reads (delta value)

$\text{INT}_{\text{TIME}}$  Time difference between successive register reads (in seconds)

#### MAINS VOLTAGE REGISTER

The RMS voltage measurement is accurate to 1% in a range of 50% to 115% of rated mains voltage. The RMS mains voltage measured by the SA9903B is calculated as follows:

$$\text{Voltage} = V_{\text{RATED}} \times V_{\text{REGISTER VALUE}} / 700$$

$V_{\text{RATED}}$  Rated mains voltage of meter

$V_{\text{REGISTER VALUE}}$  Voltage register value

#### MAINS FREQUENCY REGISTER

Bits D0 to D9 represents a counter value that is scaleable to the mains frequency measured.

The mains frequency measured by the SA9903B is calculated as follows:

$$\text{Frequency} = F_{\text{CRYSTAL}} / 256 / F_{\text{REGISTER VALUE}}$$

$F_{\text{CRYSTAL}}$  The external crystal frequency.

$F_{\text{REGISTER VALUE}}$  Bits D9 to D0 of the frequency register.

Bits D10 to D22 are not used in the frequency register. Bit D23 is set with the same status as the FMO output.



### TYPICAL APPLICATION

In figure 8, the components required for a two wire single phase power/energy metering section of a meter, is shown. The application uses a shunt for the mains current sensing. The metering section described in this section will be designed for measuring 230V/80A with precision better than Class 1

The most important external components for the SA9903B integrated circuit are the current sense resistors, the voltage sense resistors as well as the bias setting resistor. The resistors used in the metering section should be of the same type so temperature effects are minimized.

#### BAIS RESISTOR

R8 defines all on-chip and reference currents. With R8=24k optimum conditions are set. The meter calibration is implemented in software.

#### SHUNT RESISTOR

The voltage drop across the shunt resistor (RSH) at rated current should be at least 20mV. A shunt resistor of 625μ is chosen. The voltage drop across the shunt resistor is 50mV at rated conditions (Imax for the meter).

#### CURRENT SENSE RESISTORS

The resistors R6 and R7 define the current level into the current sense inputs of the device. The resistor values are selected for an input current of 16μA on the current inputs at rated conditions.

According to equation described in the Current Sense inputs section:

$$R6 = R7 = (I_L / 16\mu A) \times R_{SH} / 2 \\ = 80A / 16\mu A \times 625\mu / 2 \\ = 1.5625k$$

A resistor value of 1.6k is chosen, the -2.3% deviation from the calculated value will be compensated for when calculating the resistor values for the voltage path.

### VOLTAGE DIVIDER

The voltage divider is calculated for a voltage drop of 14V+2.3% (14.33V). Equations for the voltage divider in figure 8 are:

$$R_A = R_1 + R_2 + R_3$$

$$R_B = R_4 \parallel R_5$$

Combining the two equations gives:

$$(R_A + R_B) / 230V = R_B / 14.33V$$

Values are chosen for R4 = 24k and R5 = 1M. Substituting the values result in:

$$R_B = 23.4375k$$

$$R_A = R_B (230V / 14.33V - 1)$$

$$R_A = 352.7k$$

Resistor values of R1, R2 and R3 are chosen to be 110k, 110k and 130k.

### CRYSTAL OSCILLATOR

A color burst TV crystal with f = 3.5795MHz is used for the oscillator. The oscillator frequency is divided down to 1.7897MHz on-chip, to supply the A/D converters as well as the digital circuitry.



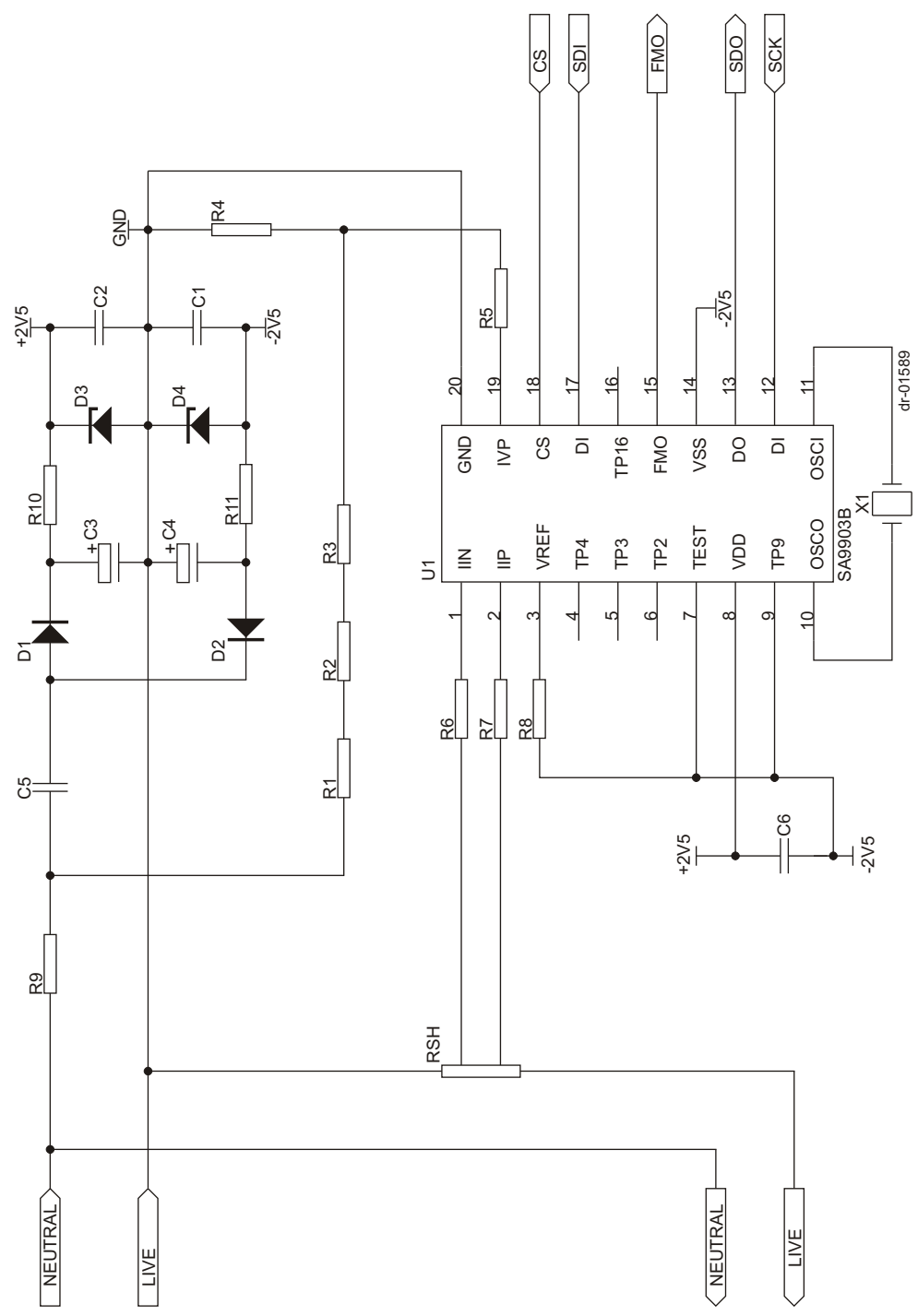


Figure 8: Typical application circuit

**Parts List for Application Circuit: Figure 8**

Symbol	Description	Detail
U1	SA9903B	DIP-20/SOIC-20
R1	Resistor, 110k, 1/4W, 1% metal	
R2	Resistor, 110k, 1/4W, 1% metal	
R3	Resistor, 130k, 1/4W, 1% metal	
R4	Resistor, 24k, 1/4W, 1% metal	
R5	Resistor, 1M, 1/4W, 1% metal	
R6	Resistor, 1.6k, 1/4W, 1% metal	
R7	Resistor, 1.6k, 1/4W, 1%, metal	
R8	Resistor, 24K, 1/4W, 1%, metal	
R9	Resistor, 47R, 2W, 5%, wire wound	
R10	Resistor, 680R, 1/4W, 1%, metal	
R11	Resistor, 680R, 1/4W, 1%, metal	
RSH	Shunt Resistor, 80A/50mV	
C1	Capacitor, 220nF, ceramic	
C2	Capacitor, 220nF, ceramic	
C3	Capacitor, 220uF, 16V, electrolytic	
C4	Capacitor, 220uF, 16V, electrolytic	
C5	Capacitor, 470nF, 250VAC, polyester	
C6	Capacitor, 820nF, ceramic	Note 1
D1	Diode, 1N4003	
D2	Diode, 1N4003	
D3	Diode, Zener, 2.5V	
D4	Diode, Zener, 2.5V	
X1	Crystal, 3.579545MHz	

Note 1: Capacitor C6 to be positioned as close as possible to supply pins  $V_{DD}$  and  $V_{SS}$  of U1 as possible.



sames

SA9903B



**sames**

**SA9903B**

## **DISCLAIMER:**

The information contained in this document is confidential and proprietary to South African Micro-Electronic Systems (Pty) Ltd ("SAMES") and may not be copied or disclosed to a third party, in whole or in part, without the express written consent of SAMES. The information contained herein is current as of the date of publication; however, delivery of this document shall not under any circumstances create any implication that the information contained herein is correct as of any time subsequent to such date. SAMES does not undertake to inform any recipient of this document of any changes in the information contained herein, and SAMES expressly reserves the right to make changes in such information, without notification, even if such changes would render information contained herein inaccurate or incomplete. SAMES makes no representation or warranty that any circuit designed by reference to the information contained herein, will function without errors and as intended by the designer.

Any sales or technical questions may be posted to our e-mail address below:  
**[energy@sames.co.za](mailto:energy@sames.co.za)**

For the latest updates on datasheets, please visit our web site:  
**<http://www.sames.co.za>**.

**SOUTH AFRICAN MICRO-ELECTRONIC SYSTEMS  
DIVISION OF LABAT TECHNOLOGIES (PTY) LTD**

**Tel:** (012) 333-6021  
**Tel: Int** +27 12 333-6021  
**Fax:** (012) 333-8071  
**Fax: Int** +27 12 333-8071

**P O BOX 15888  
33 ELAND STREET  
LYNN EAST 0039  
REPUBLIC OF SOUTH AFRICA**

**33 ELAND STREET  
KOEDOESPOORT INDUSTRIAL AREA  
PRETORIA  
REPUBLIC OF SOUTH AFRICA**