

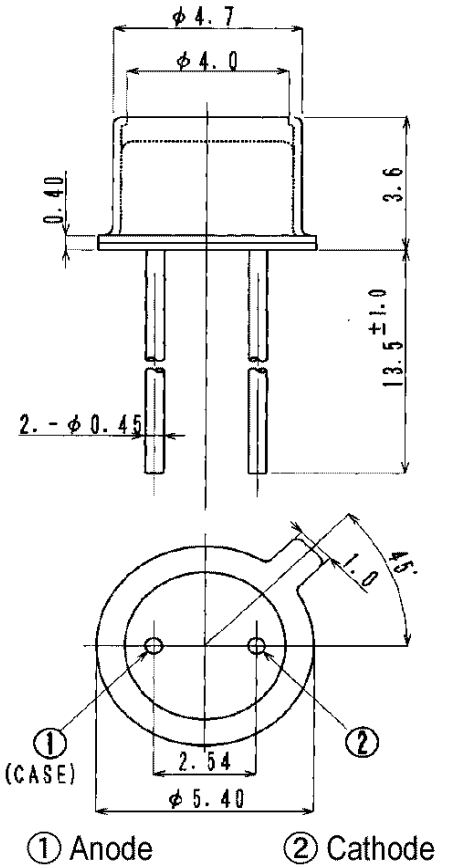
## MT3700W-UV

### Features

CAUTION: Eye Safety Precautions Must be Observed  
 High Output Power  
 High Reliability

### Applications

Color Sensor  
 Paper Sensor  
 Bar Code Reader  
 Fiber Optic Applications



### Maximum Ratings (Ta=25°C)

Characteristic	Symbol	Max.	Test Condition	Unit
Forward Current	I <sub>F</sub>	15	–	mA
Pulsed Forward Current	I <sub>FP</sub>	30.00	tw=10μ S, T=10mS	mA
Reverse Voltage	V <sub>R</sub>	5	–	V
Power Dissipation	P <sub>D</sub>	60.00	–	mW
Operating Temperature	T <sub>opr</sub>	-20 ~ +80	–	°C
Storage Temperature	T <sub>stg</sub>	-30 ~+100	–	°C
Junction Temperature	T <sub>j</sub>	100	–	°C
Soldering Temperature	T <sub>sol</sub>	260	for 5 sec. max	°C

### Opto-Electrical Characteristics (Ta=25°C)

Characteristic	Symbol	Test Condition	Min	Typ	Max	Unit
Forward Voltage	V <sub>F</sub>	I <sub>F</sub> =10mA	–	3.80	–	V
Reverse Current	I <sub>R</sub>	V <sub>R</sub> =5V	–	–	80	μA
Power Output	PO	I <sub>F</sub> =10mA	–	1.00	–	mW
Half Intensity Beam Angle	θ	–	–	± 45°	–	deg.
Peak Wavelength	λ <sub>p</sub>	I <sub>F</sub> =10mA	–	370	–	nm
Spectral Line Half Width	Δλ	I <sub>F</sub> =10mA	–	15	–	nm

## MT3700W-UV Graphs

