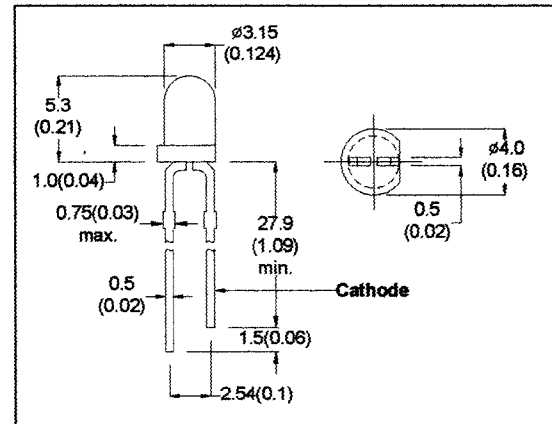


DESCRIPTION

MRB31 Series are red LED lamp with 3mm diameter epoxy package.

MRB31C is red chip with red transparent lens.
MRB31D is red chip with red diffused lens.
MRB31T is red chip with clear transparent lens.
MRB31W is red chip with clear diffused lens.



- All Dimension in mm (inch)
- No Scale
- Tol : +/- 0.3mm

ABSOLUTE MAXIMUM RATINGS

Power Dissipation @ Ta=25°C	80mW
Forward Current, DC (IF)	40mA
Reverse Voltage	5V
Operating & Storage Temperature Range	-55 to +100°C
Lead Soldering Temperature (1/16" from body)	260°C for 5 sec.

ELECTRO-OPTICAL CHARACTERISTICS (Ta=25°C)

PARAMETER	SYMBOL	MRB31C	MRB31D	MRB31T	MRB31W	UNIT	CONDITIONS
Forward Voltage	MAX VF	2.0	2.0	2.0	2.0	V	IF=20mA
Reverse Breakdown Voltage	MIN BVR	5	5	5	5	V	IR=100μA
Luminous Intensity	MIN IV	10	1.5	10	1.5	mcd	IF=20mA
	TYP	15	2.0	15	2.0	mcd	
Peak Wavelength	TYP λp	660	660	660	660	nm	IF=20mA
Spectral Line Half Width	TYP	20	20	20	20	nm	IF=20mA
Viewing Angle	TYP 2θ 1/2	40	60	40	60	degree	IF=20mA