

Monolithic crystal filter

MQF45.5-7000/07



Application

- 4 pol filter
- i.f.- filter
- use in mobile and stationary transceivers

Limiting values

		Unit	Value
Center frequency	f_0	MHz	45.5
Insertion loss		dB	≤ 3.0
Pass band at 3.0 dB		kHz	± 35.00
Ripple in pass band	$f_0 \pm 27.50$ kHz	dB	≤ 1.0
Stop band attenuation	$f_0 \pm 70$ kHz	dB	≥ 10
	$f_0 \pm 100$ kHz	dB	> 25
Alternate attenuation	$f_0 \pm 250$ kHz	dB	> 35
	$f_0 \pm 450$ kHz	dB	> 40
Group delay distortion	$f_0 \pm 27.50$ kHz	μ s	< 2

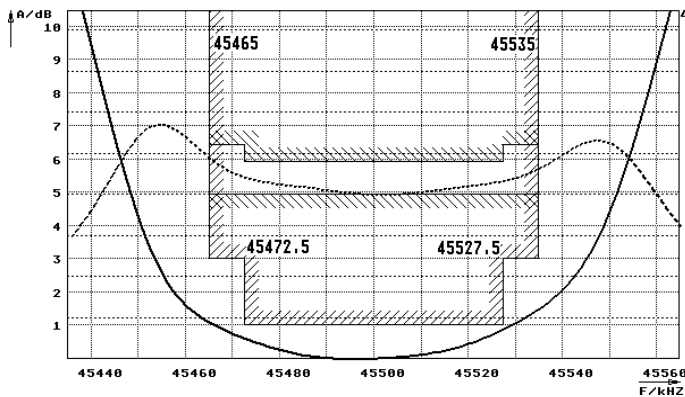
Terminating impedance Z

R1 C1	Ohm/pF	500 2
R2 C2	Ohm/pF	500 2

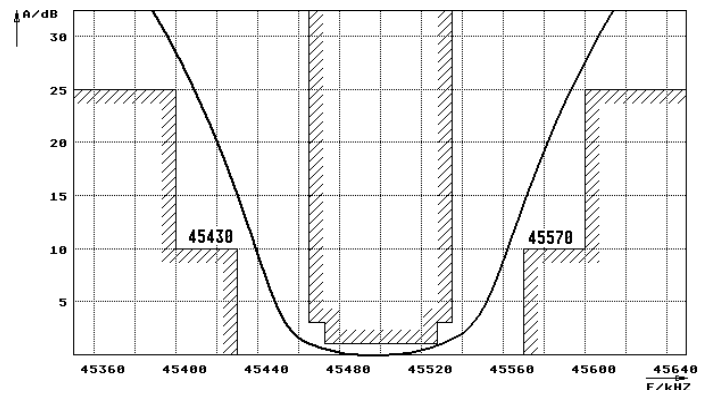
Operating temp. range $^{\circ}$ C -30... +85

Characteristics MQF45.5-7000/07

Pass band



Stop band



Pin connections: 1 Input
2 Input-E
3 Output
4 Output-E

