

Low Cost Iron Safety Timer

Author: Jason Wolfson
 Lipider Corp.
 Duxbury, MA
 USA
 email: jason@ultrnet.com

INTRODUCTION

Clothes irons and curling irons are high powered appliances that can start house fires. Many times after leaving for work you forget if you shut-off or unplug the dangerous appliances. This timer will allow the appliance to have power for only a fixed amount of time (without motion/use). Then it will shut-off power. A reset switch will restart the appliance.

FIGURE 1: FLOWCHART

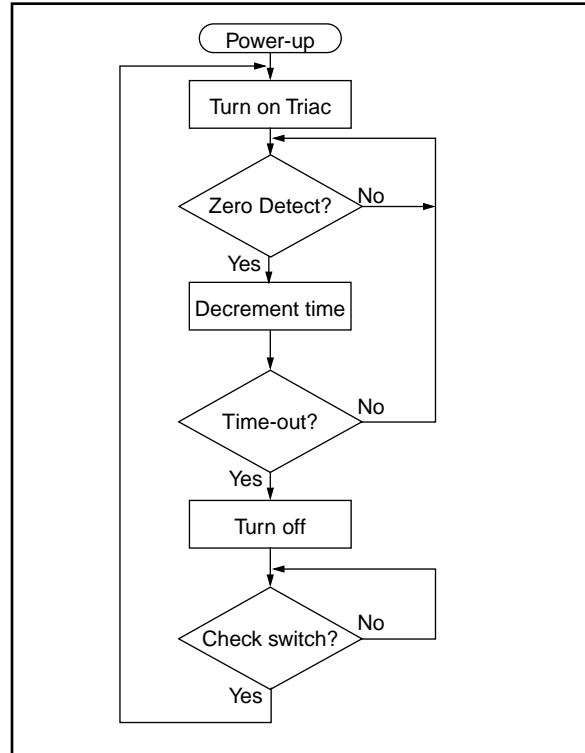
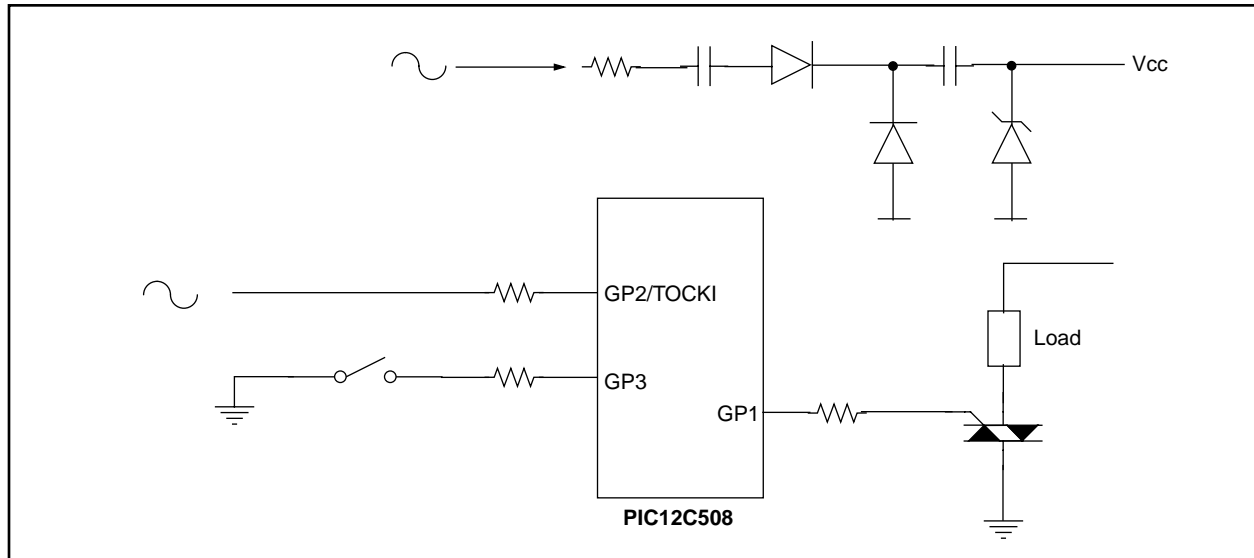


FIGURE 2: SCHEMATIC



Microchip Technology Incorporated, has been granted a nonexclusive, worldwide license to reproduce, publish and distribute all submitted materials, in either original or edited form. The author has affirmed that this work is an original, unpublished work and that he/she owns all rights to such work. All property rights, such as patents, copyrights and trademarks remain with the author.

