

## SEVEN SEGMENT NUMERIC DISPLAY

High Efficiency Red GaAsP  
0.6 inch Character Height  
Wide Viewing Angle  
Color Filter Provides High Contrast  
Common Cathode

## ABSOLUTE MAXIMUM RATINGS (Ta=25°C)

Power Dissipation / Segment	60mW
Peak Forward Current / Segment *	200mA
Continuous Forward Current / Segment	20mA
Reverse Voltage / Segment	5V
Operating Temperature Range	-25 to +75°C
Storage Temperature Range	-25 to +80°C

\* Note : Pulse Width = 1mS, Duty Ratio = 1/10.

## ELECTRO-OPTICAL CHARACTERISTICS / segment (Ta=25°C)

PARAMETER	SYMBOL	MIN	TYP	MAX	UNIT	CONDITIONS
Forward Voltage	V <sub>F</sub>		2.0	3.0	V	I <sub>F</sub> =20mA
Luminous Intensity	I <sub>V</sub>	600	900		μcd	I <sub>F</sub> =10mA
Segment to Segment Luminous Intensity Ratio			2 : 1			I <sub>F</sub> =20mA
Reverse Current	I <sub>R</sub>			100	μA	V <sub>R</sub> =5V
Peak Wavelength	λ <sub>p</sub>		630		nm	I <sub>F</sub> =20mA
Spectral Line Half Width	Δλ		35		nm	I <sub>F</sub> =20mA

Page 1 of 2



MICRO ELECTRONICS LTD.

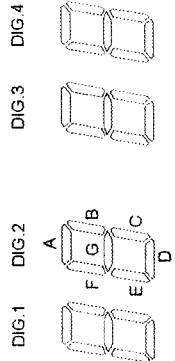
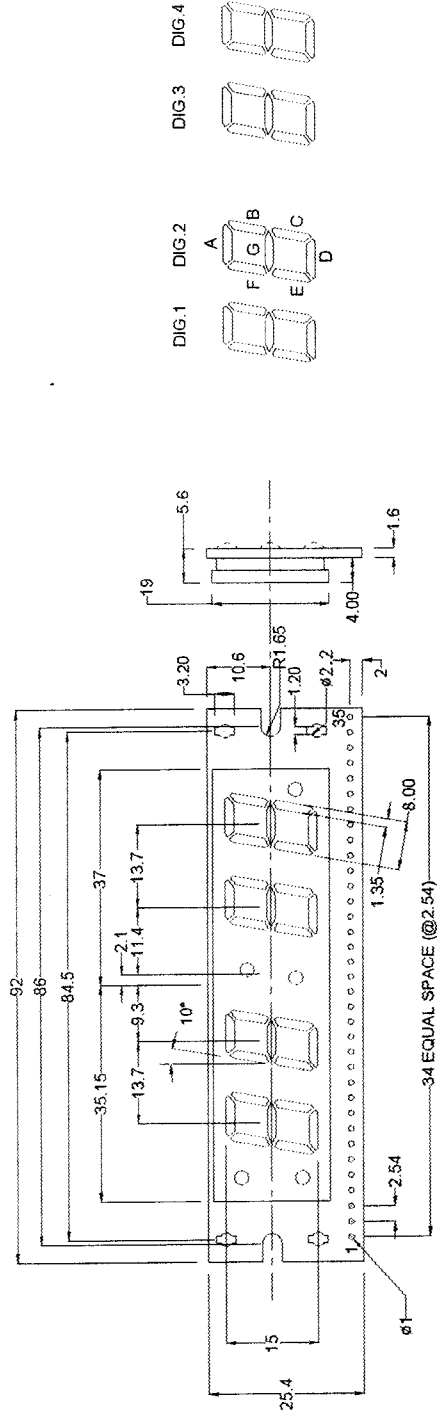
38, Hung To Road, Microtron Building, Kwun Tong, Kowloon, Hong Kong.

Kwun Tong P.O. Box 69477 Hong Kong. Fax No. 2341 0321 Telex:43510 Micro Hx. Tel: 2343 0181-5

Aug-99

# MO461C

MECHANICAL OUTLINE :



ALL DIMENSION IN mm  
NO SCALE  
TOL. : +/-0.3mm

