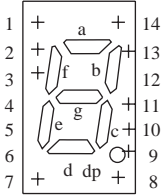


Numeric Display

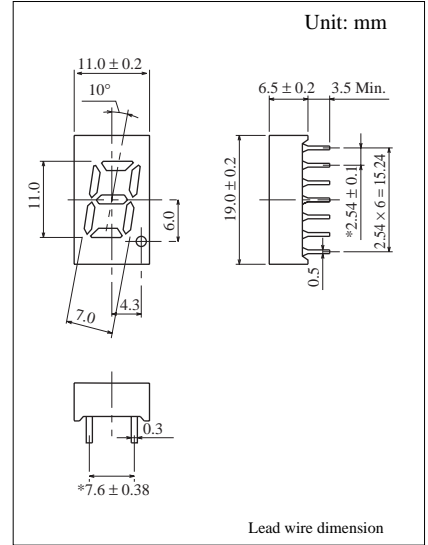
1 Digit 11.0 mm (.4") Series

Conventional Part No. Global Part No. Lighting Color
 LN514YA LNM414AA01 Amber
 LN514YK LNM414KA01 Amber
 LN514OA LNM814AA01 Orange
 LN514OK LNM814KA01 Orange

Terminal Connection



Pin No.	Assignment	Assignment
1	Cathode a	Anode a
2	Cathode f	Anode f
3	Common Anode	Common Cathode
4	—	—
5	—	—
6	—	—
7	Cathode e	Anode e
8	Cathode d	Anode d
9	Cathode dp	Anode dp
10	Cathode c	Anode c
11	Cathode g	Anode g
12	—	—
13	Cathode b	Anode b
14	Common Anode	Common Cathode



■ Absolute Maximum Ratings (T_a = 25°C)

Lighting Color	P _D (mW)	I _F (mA)	I _{FP} (mA)*	V _R (V)	T _{opr} (°C)	T _{stg} (°C)
Amber	60	20	100	5	-25 ~ +80	-30 ~ +85
Orange	60	20	100	3	-25 ~ +80	-30 ~ +85

I_{FP}の条件は duty 10% ,Pulse width 1 msec. The condition of I_{FP} is duty 10%, Pulse width 1 msec

■ Electro-Optical Characteristics (T_a = 25°C)

Conventional Part No.	Lighting Color	Common	I _O / seg		I _O / d.p		I _F	V _F		λ _P	Δλ	I _F	I _R	
			Typ	Min	Typ	I _F		Typ	Max				Typ	Max
LN514YA	Amber	Anode	600	200	200	10	2.2	2.8	590	30	20	10	5	
LN514YK	Amber	Cathode	600	200	200	10	2.2	2.8	590	30	20	10	5	
LN514OA	Orange	Anode	1200	300	500	10	2.1	2.8	630	40	20	10	3	
LN514OK	Orange	Cathode	1200	300	500	10	2.1	2.8	630	40	20	10	3	
Unit	—	—	μcd	μcd	μcd	mA	V	V	nm	nm	mA	μA	V	

