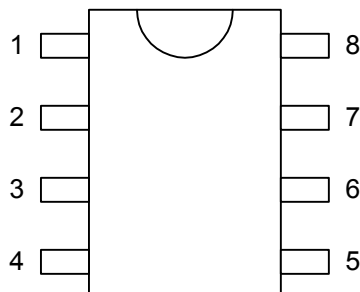


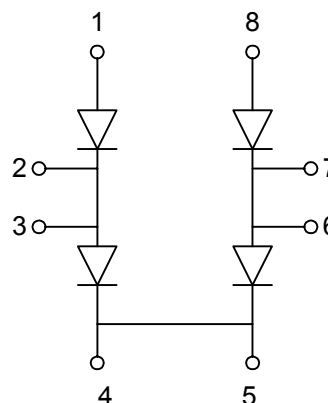
IW0140A4

ULTRAFAST RECTIFIER DIODE ARRAY

Pinning



Electric scheme



Ultrafast diode array designed for use in systems of protection of telephone lines from overvoltage. The device is available in DIP-8 case

MAXIMUM RATINGS (for every diode of assembly)

Rating	Symbol	Mode of measurement	Value	Unit
Peak Repetitive Reverse Voltage	U_{RR}		400	V
Peak Rectified Forward Current	I_F	T=1 sec Q=50	0,4	A
Operating Junction Temperature	T_J		150	°C
Storage Temperature	T_{STG}		-40-150	°C
Thermal resistance junction to ambient	R_{thj-a}		140	°C/W

ELECTRICAL CHARACTERISTICS (for every diode of assembly) for $T_{AMB}=25^{\circ}C$

Rating	Symbol	Mode of measurement	Value	Unit
Maximum Instantaneous Forward Voltage*	U_F	$I_F=1A$	1,75	V
Maximum Instantaneous Reverse Current*	I_R	$U_R=400B$	100	μA
Maximum Reverse Recovery Time	t_{Rr}	$I_F=1 A,$ $di/dt=50 A/\mu s,$	100	ns

