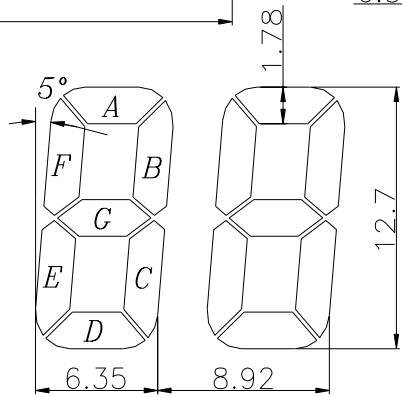


PIN	1	2	3	4	5	6	7	8	9	10	11	12	13	14
COM	COM	COM	1B,C	2E	2D	2C	2G	3E	3D	3C	3G	4E	4D	4C
PIN	15	16	17	18	19	20	21	22	23	24	25	26	27	28
COM	T1	T2	T3	4G	4B	4A	4F	3B	3A	3F	2B	2A	2F	COM



- NOTE:
- 1.TOLERANCES UNLESS OTHERWISE SPECIFIED ±0.25mm
  - 2.VIEWING ANGLE: 6:00 O'CLOCK
  - 3.DISPLAY MODE: POSITIVE, TRANSMISSIVE, TN TYPE
  - 4.DUTY CYCLE: STATIC
  - 5.DRIVING VOLTAGE: 3.0V
  - 6.OPERATING TEMPERATURE: 0°C TO 50°C
  - 7.STORAGE TEMPERATURE: -10°C TO 55°C

AZ Displays, Inc.		
DRAWN BY: X.J.	TITLE:	SCALE:
CHECKED BY: H.L.P.		UNIT: mm
APP BY:	GD-1020P	SIZE:
DATE: APR.05.99	SHEET 1 OF 1	