



Micro Commercial Components
 21201 Itasca Street Chatsworth
 CA 91311
 Phone: (818) 701-4933
 Fax: (818) 701-4939

FRA254GP

**25.0 Amp
 GLASS PASSIVATED
 BUTTON DIODE
 400 Volts**

Features

- Plastic Material Used Carriers Underwrites Laboratory Classification 94V-0
- Low Cost Construction Utilizing Void-free Molded Plastic Technique
- High Surge Capability
- Diffused Junction

Maximum Ratings

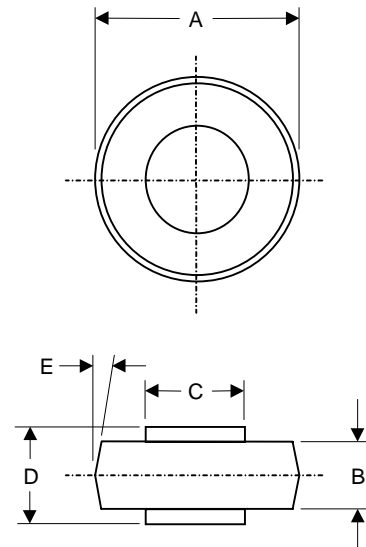
- Operating & Storage Temperature: -50°C to +175°C
- For Capacitive Load, Derate Current by 20%

MCC Part Number	Maximum Recurrent Peak Reverse Voltage	Maximum RMS Voltage	Maximum DC Blocking Voltage
FRA254GP	400V	280V	400V

Electrical Characteristics @ 25°C Unless Otherwise Specified

Average Forward Current	$I_{F(AV)}$	25.0A	$T_C=150^\circ\text{C}$
Peak Forward Surge Current	I_{FSM}	400A	8.3ms half sine
Maximum Instantaneous Forward Voltage	V_F	1.3V	$I_{FM}=25.0A$ $T_A=25^\circ\text{C}$
Maximum DC Reverse Current At Rated DC Blocking Voltage	I_R	5.0uA	$T_C=25^\circ\text{C}$
Typical Reverse Recovery Times	t_{rr}	250ns	$I_F=0.5A,$ $I_R=1.0A,$ $I_{rr}=0.25A$

SRA



DIM	DIMENSION				NOTE
	INCHES		MM		
	MIN	MAX	MIN	MAX	
A	.327	.347	8.30	8.90	
B	.165	.185	4.20	4.70	
C	.218	.222	5.54	5.64	
D	.234	.246	5.94	6.25	
E	-----	5°	-----	5°	NOM

FRA254GP

RATINGS AND CHARACTERISTIC CURVES

FIG.1- MAXIMUM FORWARD CURRENT DERATING CURVE

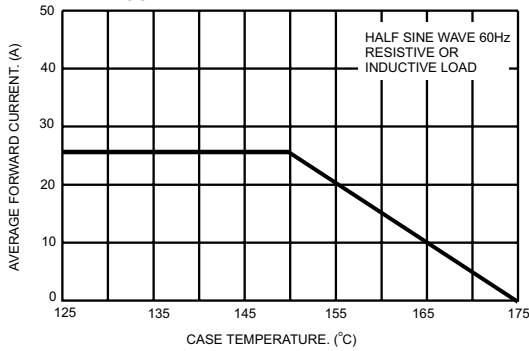


FIG.2- MAXIMUM NON-REPETITIVE PEAK FORWARD SURGE CURRENT

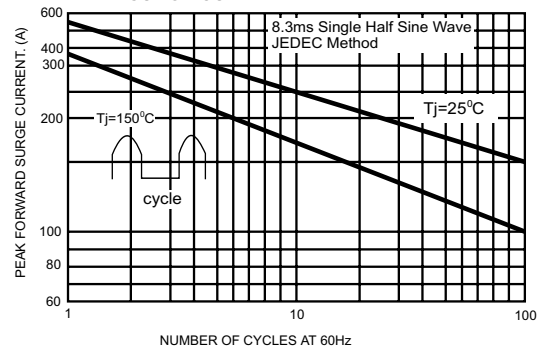


FIG.3- TYPICAL FORWARD CHARACTERISTICS

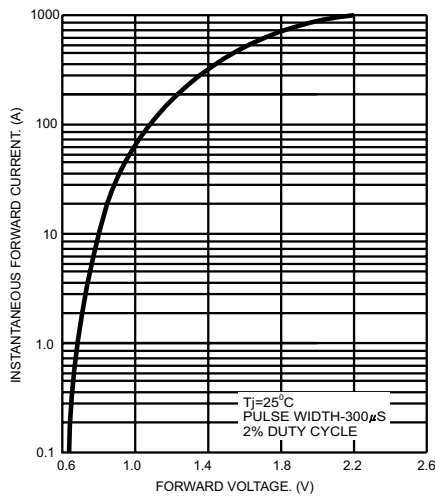


FIG.4- TYPICAL REVERSE CHARACTERISTICS

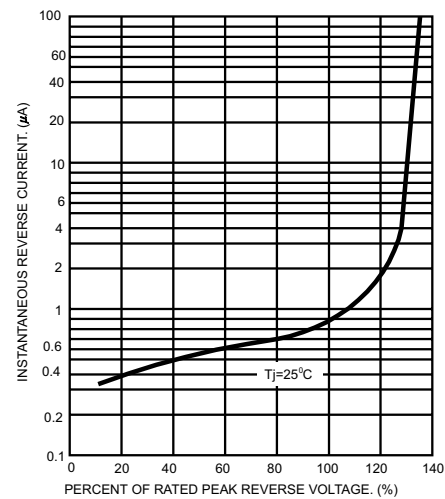


FIG.5- TYPICAL JUNCTION CAPACITANCE

