

DIODE MODULE (F.R.D.)

FDF25CA100/120



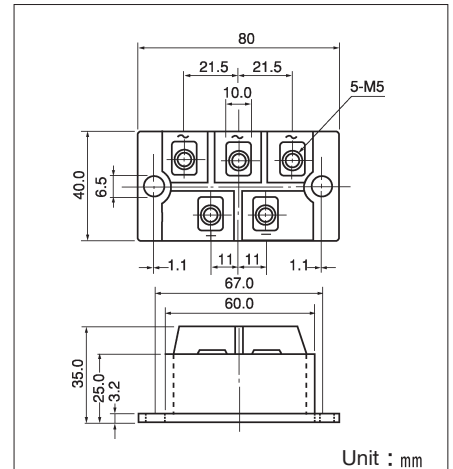
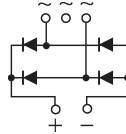
UL;E76102 (M)

FDF25CA is a high speed dual diode module designed for high power switching application. FDF25CA is suitable for high frequency application requiring low loss and high speed control.

- High Speed $t_{rr} \leq 200\text{ns}$
- $I_D = 25\text{A}$
- Isolated mounting construction.
- High Surge Capability

(Applications)

Switching Power Supply, Inverter Welding Power Supply
Power Supply for Telecommunication



Unit : mm

Maximum Ratings

($T_j = 25^\circ\text{C}$)

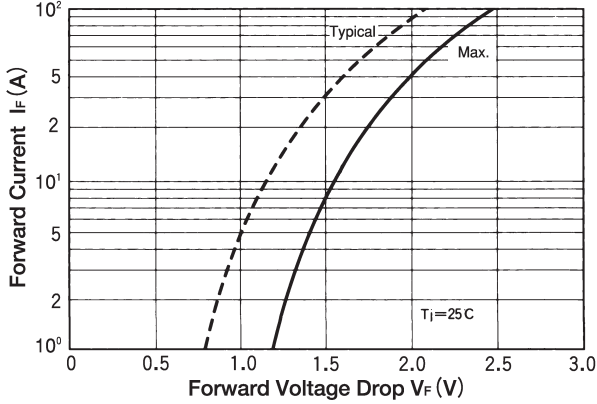
Symbol	Item	Ratings		Unit
		FDF25CA100	FDF25CA120	
V_{RRM}	Repetitive Peak Reverse Voltage	1000	1200	V
$V_{R(DC)}$	D.C. Reverse Voltage	800	960	V

Symbol	Item	Conditions	Ratings	Unit	
I_D	Output Current (D.C.)	Three phase full wave. $T_c : 114^\circ\text{C}$	25	A	
I_{FSM}	Surge Forward Current	$1/2$ cycle, 60Hz, peak value, non-repetitive	400	A	
I^2t	I^2t	Value for one cycle of surge current	660	A^2S	
T_j	Operating Junction Temperature		$-40 \sim +150$	$^\circ\text{C}$	
T_{stg}	Storage Temperature		$-40 \sim +125$	$^\circ\text{C}$	
V_{ISO}	Isolation Breakdown Voltage (R.M.S.)	A.C. 1 minute	2500	V	
	Mounting Torque	Muonting (M6)	Recommended Value 2.5~3.9 (25~40)	4.7 (48)	$\text{N} \cdot \text{m}$ ($\text{kgf} \cdot \text{cm}$)
		Terminal (M5)	Recommended Value 1.5~2.5 (15~25)	2.7 (28)	
	Mass	Typical Value	200	g	

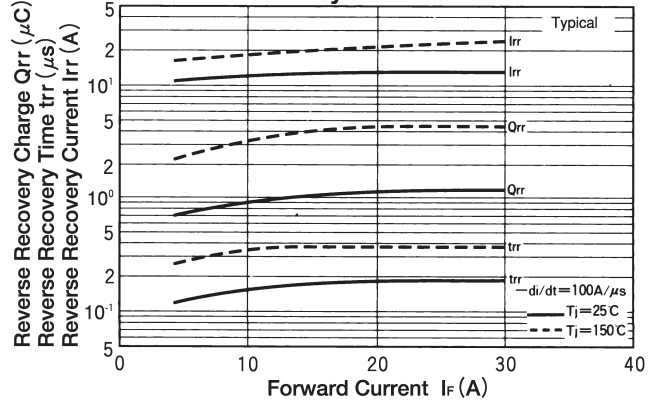
Electrical Characteristics

Symbol	Item	Conditions	Ratings			Unit
			Min.	Typ.	Max.	
I_{RRM}	Repetitive Peak Reverse Current	$V_R = V_{RRM}, T_j = 150^\circ\text{C}$			2.0	mA
V_{FM}	Forward Voltage Drop	$I_{FM} = 25\text{A}$, Inst. measurement			1.8	V
t_{rr}	Reverse Recovery Time, max.	$I_F = 25\text{A}$, $-di/dt = 100\text{A}/\mu\text{s}$			200	ns
$R_{th(j-c)}$	Thermal Impedance	Junction to case			0.4	$^\circ\text{C}/\text{W}$

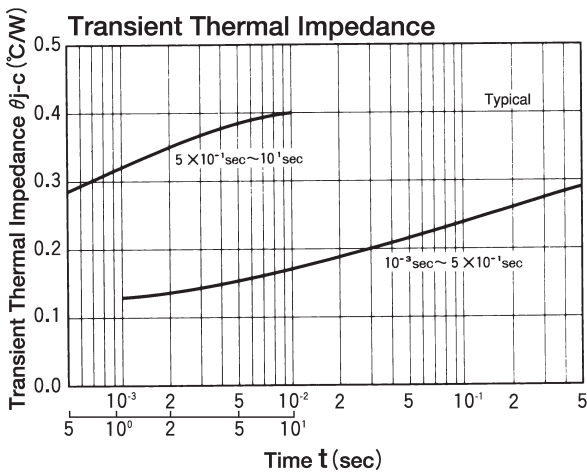
Forward Characteristics



Reverse Recovery Characteristics



Transient Thermal Impedance



Reverse Recovery Characteristics

