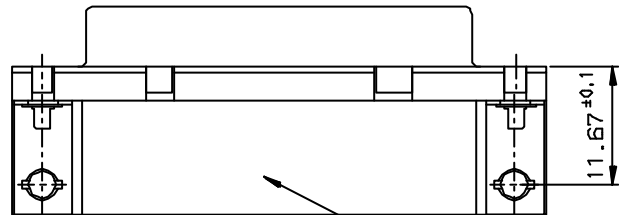
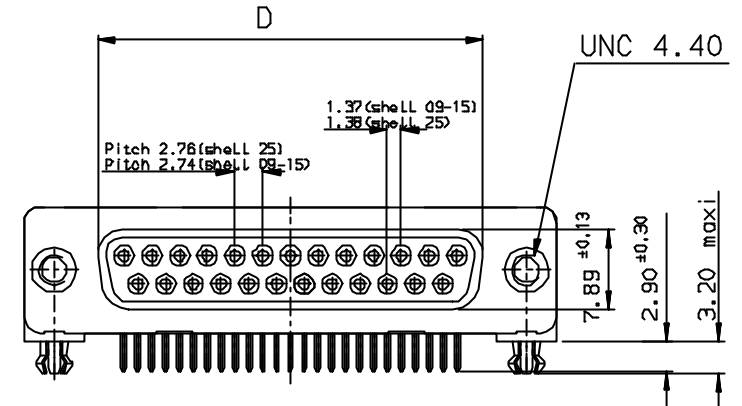
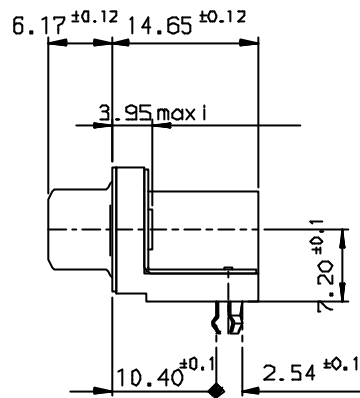
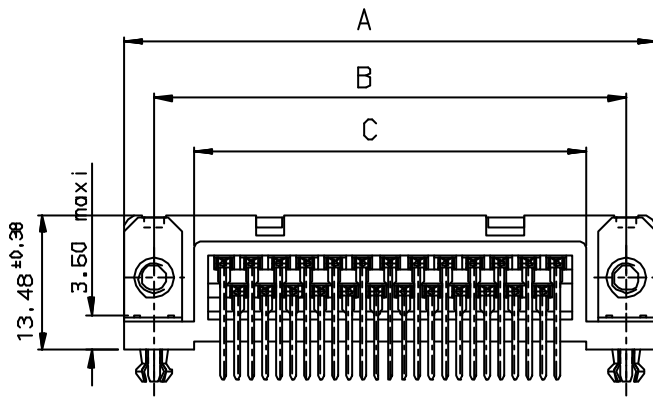


Tous droits strictement réservés. Reproduction ou communication à des tiers interdite sans autorisation écrite de la Direction des Conception et de la Production. Propriété de FCI. Droits de reproduction FCI.

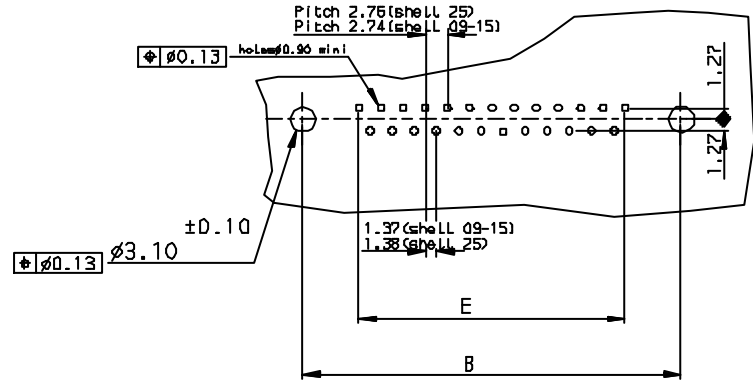
FCI

All rights strictly reserved. Reproduction or communication to any third party in any form without the written authorization of the Design and Production Department. Property of FCI. Copyright FCI.



Part Number & Date Code Printing

PC card drilling dimensions (after plating)
(thickness 1.60 ± 0.20mm)



Core range					
SHELL	A ± 0.38	B ± 0.12	C ± 0.10	D ± 0.25	PART NUMBER
09	30.81	24.99	16.96	16.21	D09S13A4GX00**
15	39.14	33.32	25.18	24.54	D15S13A4GX00**
25	53.03	47.04	39.12	38.25	D25S13A4GX00**

GENERAL CHARACTERISTICS - SEE DRAWING C01-8646-0000

LF FOR LEAD FREE

Utr	Eon no	Dr	date
h	105-0124	JS	27/7/05

		✓	Tolerance LINEAR ± 0.1 ANGULAR ± 1°	Projection 	MM →
Dr JOHN SLEEBA	11/8/94	Product Family	D-SUB	Size	Scale
Eng GEORGE VJ	11/8/94	Spec ref		A3	
Chr GEORGE VJ	27/7/05	Material		ECN	
Appr K Somasundaram	27/7/05				
FCI	Title SOCKET CONNECT.DELTA D RIGHT ANGLED WITH NUT, HARPOON & METAL PLATE		Dwg no C01-8646-0294	Rev. h	
	Catalog no	DELTA-D	CUSTOMER COPY	Sheet 1 of 1	

h	DATE	REVISION DESCRIPTION
h	27/7/05	LEAD FREE DETAILS ADDED