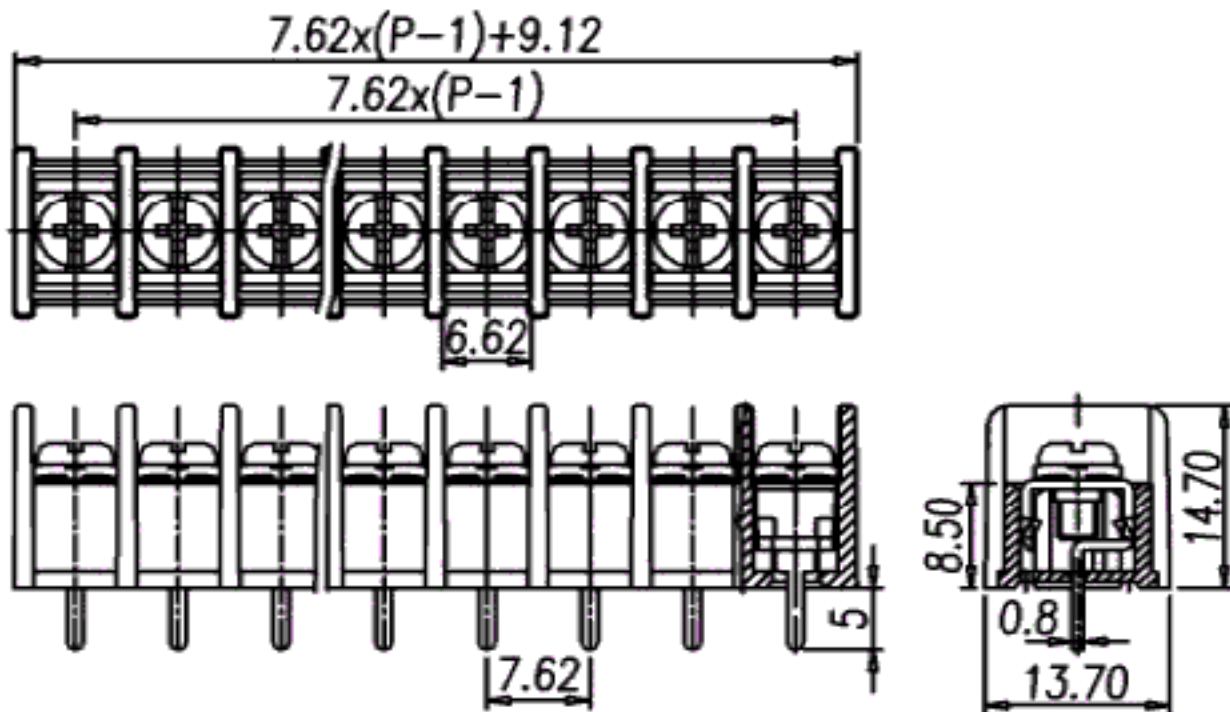



### Barrier Style / DT-25-B01X-XX



### Specification / Accessory Explanation

Approval	Rated Voltage	Rated Current	Pitch
	300V	10A	7.62
<b>Materials</b>			
Plastic Housing	PA6.6 , UL94V-0,Black		
Terminal	Brass , 0.8t , Tin plated		
Screw	Steel , M3 , Nickel plated		
<b>Specifications</b>			
Working Temperature	-40 ~ +105		
Insulation withstand Voltage	AC2000V at 1 minute		
Insulation Resistance	500 or more at DC500V		
Wire range	22 ~14 AWG		
Max.Torque Value	8Kg / cm		