

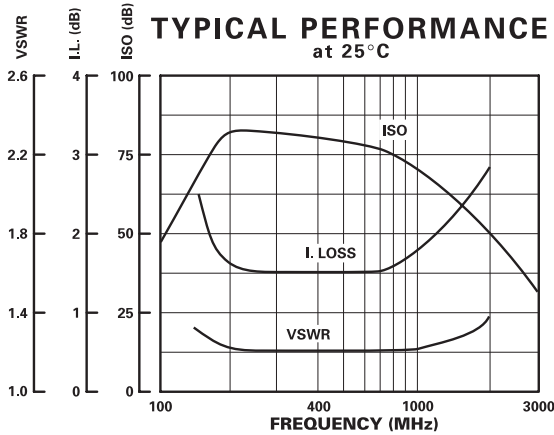
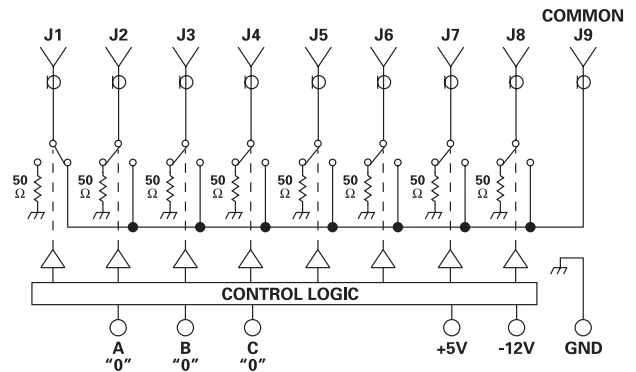
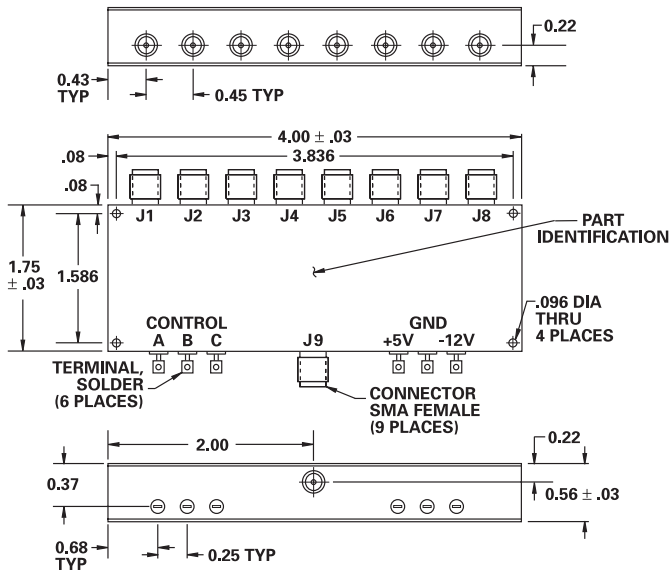
# MODEL NUMBER DSW89048

# PIN Diode SP8T

## FEATURES

- 200-2000 MHz
- 70 dB Isolation @ 1000 MHz
- 1.7 dB Insertion Loss @ 1000 MHz
- TTL Driver
- Non-Reflective
- SMA Connectors

## SP8T



CONTROL LOGIC			RF CONNECTION
A	B	C	RF COMMON J9 TO
0	0	0	J1
0	0	1	J2
0	1	0	J3
0	1	1	J4
1	0	0	J5
1	0	1	J6
1	1	0	J7
1	1	1	J8

## GUARANTEED PERFORMANCE

Parameter	Min	Typ	Max	Units	Conditions
Operating Frequency	200		2000	MHz	
DC Current		51	70	mA	At +5 VDC Supply
		49	60	mA	To -12 VDC Supply
Control Type			TTL		3 Line BCD
Control Current	High		±10	μA	V <sub>IH</sub> = +2.7 V
	Low		±10	μA	V <sub>IL</sub> = +0.5 V
Insertion Loss		1.7	2.5	dB	500 - 1000 MHz
		2.5	3.5	dB	1000 - 2000 MHz
Isolation	60	70		dB	500 - 1000 MHz
	45	49		dB	1000 - 2000 MHz
VSWR	Thru	1.37/1	1.6/1		
Impedance		50		OHMS	
Switching Speed		255	300	nSEC	50% TTL to 90% / 10% RF
Transition (Rise/Fall) Time		188		nSEC	10% / 90% or 90% / 10% RF
Switching (Video) Transients		139		mV	Peak Value
Intercept Points	2nd	+51		dBm	
	3rd	+37		dBm	
RF Power	Operate	+26	+23	dBm	0.1 dB Compression
Operating Temperature	-55	+25	+85	°C	TA



DAICO Industries

310.507.3242 • FAX 310.507.5701 • www.daico.com