



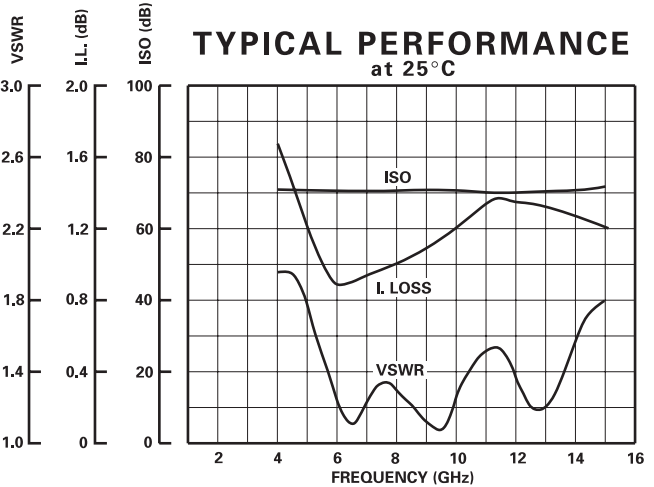
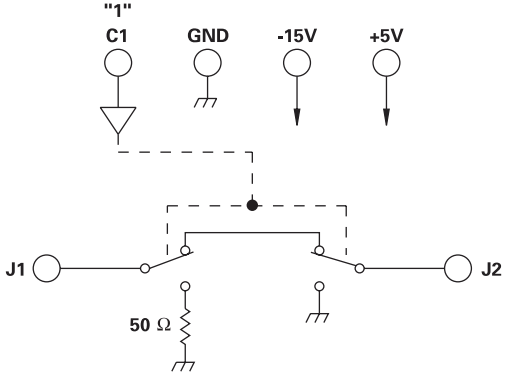
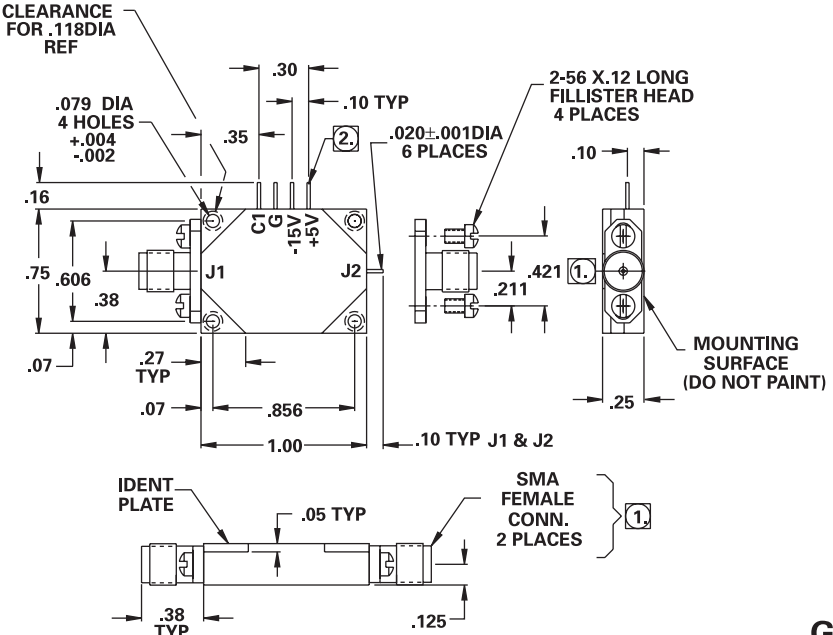
**MODEL NUMBER
DSW16186**

PIN Diode SPST

- FEATURES**
- 8 - 12 GHz
 - 70 dB Isolation
 - 1.4 dB Insertion Loss
 - 30 nSec Switching Speed

- TTL Control
- Replaceable SMA Connectors

SPST



GUARANTEED PERFORMANCE

Parameter	Min	Typ	Max	Units	Conditions
Operating Frequency	8		12	GHz	
DC Current		30	50	mA	At +5 VDC Supply
		8	10	mA	At -15 VDC Supply
Control Type		TTL			1 Line Logic "1" = Low Loss
Control Current		0	40	μA	VIH = +2.7V
		0	-1.6	mA	VIL = +0.5V
Insertion Loss		1.4	1.8	dB	
Isolation	60	70		dB	
VSWR		1.5/1	1.8/1		J1 Port
		1.6/1	1.8/1		Thru Termination
Impedance		50		OHMS	
Switching Speed		30	50	nSEC	50% TTL to 90% / 10% RF
Transition (Rise/Fall) Time		20	50	nSEC	10% / 90% or 90% / 10% RF
Switching (Video) Transients		700		mV	Peak Value
RF Power			+23	dBm	Operate
			+40	dBm	Peak
					≤ 3 MicroSec
Operating Temperature	-54	+25	+95	°C	TA