

<b>SANYO</b>	No. ※4834A	<b>DM0811</b>
<b>LCD Dot Matrix Display Module</b>		

**Preliminary**

**Overview**

The DM0811 is an LCD dot matrix display module that consists of an LCD panel and a controller/driver. It can display one line of eight characters. The DM0811 includes the data RAM, character generator ROM and control circuits required for display. Both 8-bit parallel and 4-bit parallel data interfaces are supported and data can be directly written and read by the controlling microprocessor.

**General Specifications**

- Drive method: 1/8 duty – 1/4 bias
- Display size: 8 characters by 1 line
- Character structure: 5 by 7 dots plus cursor display
- Display data RAM capacity: 80 characters (8 bits each)
- CG ROM capacity: 192 characters (See the description of the built-in character generator.)
- CG RAM capacity: 8 characters (64 by 8 bits)
- Instruction functions: 11 instructions (See the description of the instruction function.)
- Circuit structure: See the block diagram.

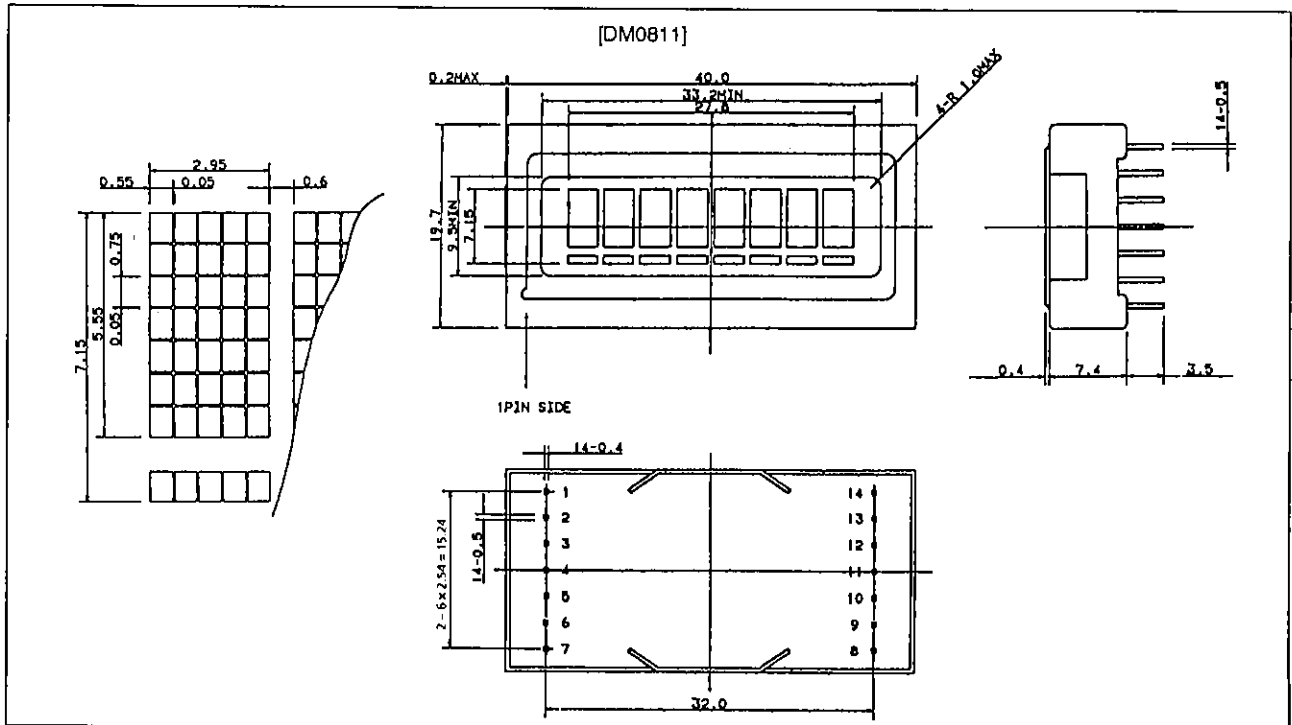
**Physical Specifications**

- Module dimensions (mm): 40.0 (W) x 19.7 (H) x 7.4 (T)
- Effective display area (mm): 33.2 (W) x 9.5 (H)
- Dot pitch (mm): 0.60 (W) x 0.80 (H)
- Dot size (mm): 0.55 (W) x 0.75 (H)
- Weight (g): approx. 9.0

**Module Dimensions**

(unit: mm)

5012



## Module Options

DM0811-□△

(□: First digit) LCD Characteristics

(△: Second digit)

	LCD type	LCD operating temperature	Power supply specifications	Viewing angle direction
0	TN	0 to 50°C	Single-voltage supply	6 H
1	TN	0 to 50°C	Single-voltage supply	12 H

	LCD mode CD
S	Positive, reflective
B	Positive, transparent

Absolute Maximum Ratings at  $T_a = 25^\circ\text{C}$ ,  $V_{DD} - V_{SS} = 5 \pm 0.25\text{ V}$ 

Parameter	Symbol	Ratings	Unit
Logic power supply voltage	$V_{DD} - V_{SS}$	-0.3 to +7.0	V
LCD power supply voltage	$V_{DD} - V_O$	-0.3 to +13.5	V
Input voltage	$V_I$	-0.3 to $V_{DD} + 0.3$	V
Operating temperature	$T_{opr}$	0 to +50	°C
Storage temperature	$T_{stg}$	-20 to +70	°C

Electrical and Optical Characteristics at  $T_a = 25^\circ\text{C}$ ,  $V_{DD} - V_{SS} = 5 \pm 0.25\text{ V}$ 

Parameter	Symbol	Conditions	min	typ	max	Unit	Note	
Input high-level voltage	$V_{IH}$		2.2		$V_{DD}$	V		
Input low-level voltage	$V_{IL}$		0		0.6	V		
Output high-level voltage	$V_{OH}$	$I_{OH} = 0.2\text{ mA}$	2.4		$V_{DD}$	mA		
Output low-level voltage	$V_{OL}$	$I_{OL} = 1.2\text{ mA}$	0		0.4	mA		
Current drain	$I_{DD}$			1.5	3.0	mA		
[TN type, normal temperature range specifications]								
LCD drive voltage	$V_{DD} - V_O$	$T_a = 0^\circ\text{C}$	3.7	3.8	3.9	V	1	
		$T_a = 25^\circ\text{C}$	3.4	3.5	3.6	V		
		$T_a = 50^\circ\text{C}$	2.7	2.8	2.9	V		
Response time	Reset time	$t_r, \theta = 0^\circ$	$T_a = 0^\circ\text{C}$		200	300	ms	Figures 1 and 2
			$T_a = 25^\circ\text{C}$		60	100	ms	
	Fall time	$t_f, \theta = 0^\circ$	$T_a = 0^\circ\text{C}$		300	450	ms	
			$T_a = 25^\circ\text{C}$		100	150	ms	
Contrast ratio	K	$\theta = 0^\circ$	5	10			Figures 2 and 3	
Viewing angle range	$\theta_2 - \theta_1$	$\theta = 0^\circ, K > 1.4$	30	40		deg	Figures 2 and 3	

Note: 1. The contrast provided by an LCD display varies greatly with the angle of view.

An LCD drive voltage appropriate for the actual product must be used.

The indicated values are reference values only. Please contact your Sanyo representative before using this product.

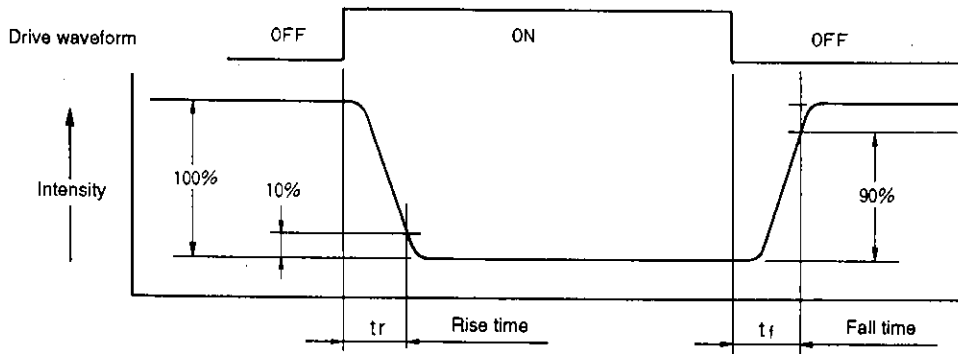


Figure 1 Response Time Definitions

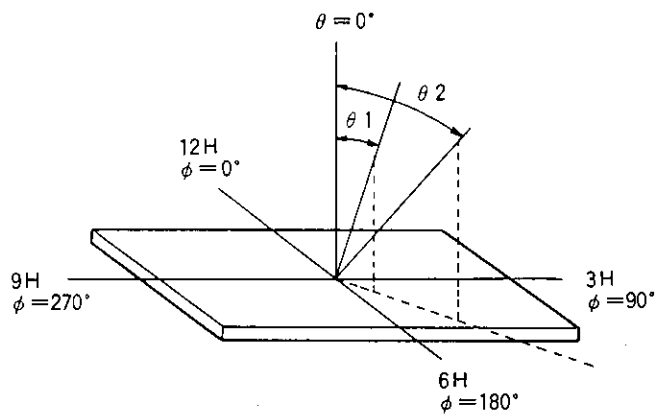


Figure 2 Definition of Angles  $\theta$  and  $\phi$

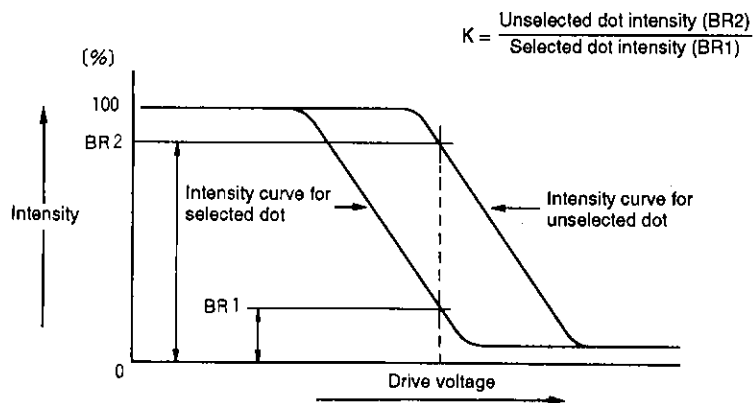
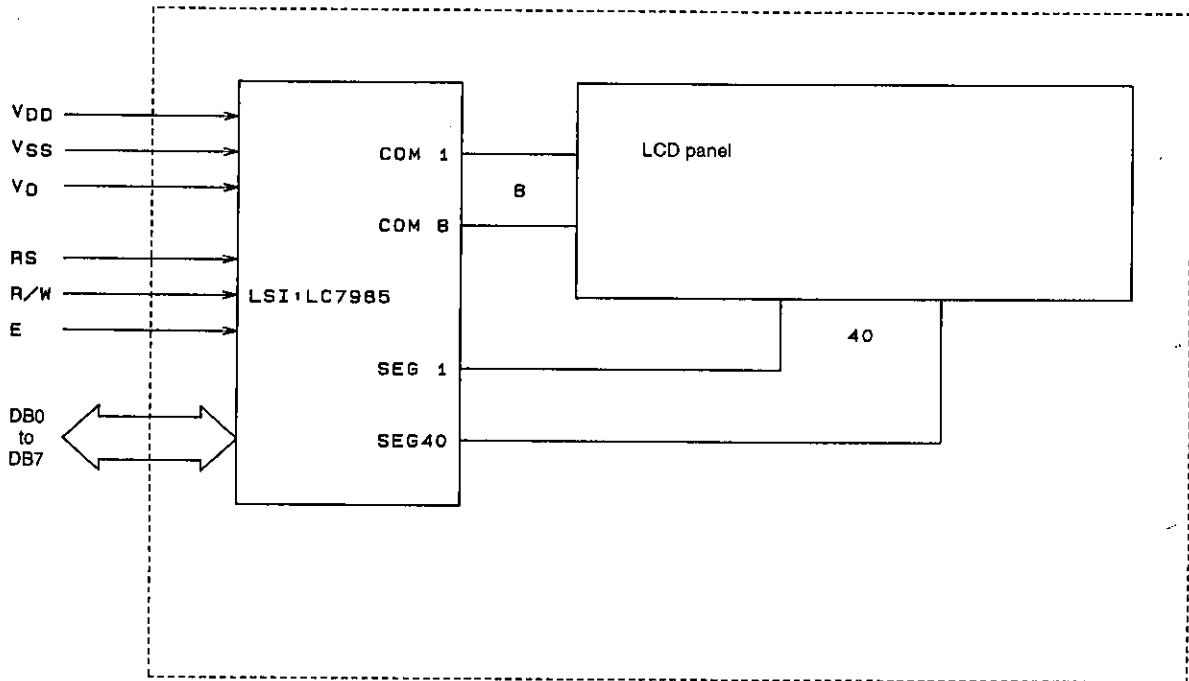


Figure 3 Definition of Contrast Ratio

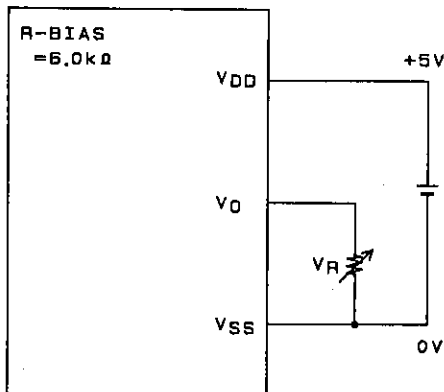
Block Diagram



A02273

Power Supply Circuit Examples

Normal temperature range circuit  
(Single voltage supply specifications)

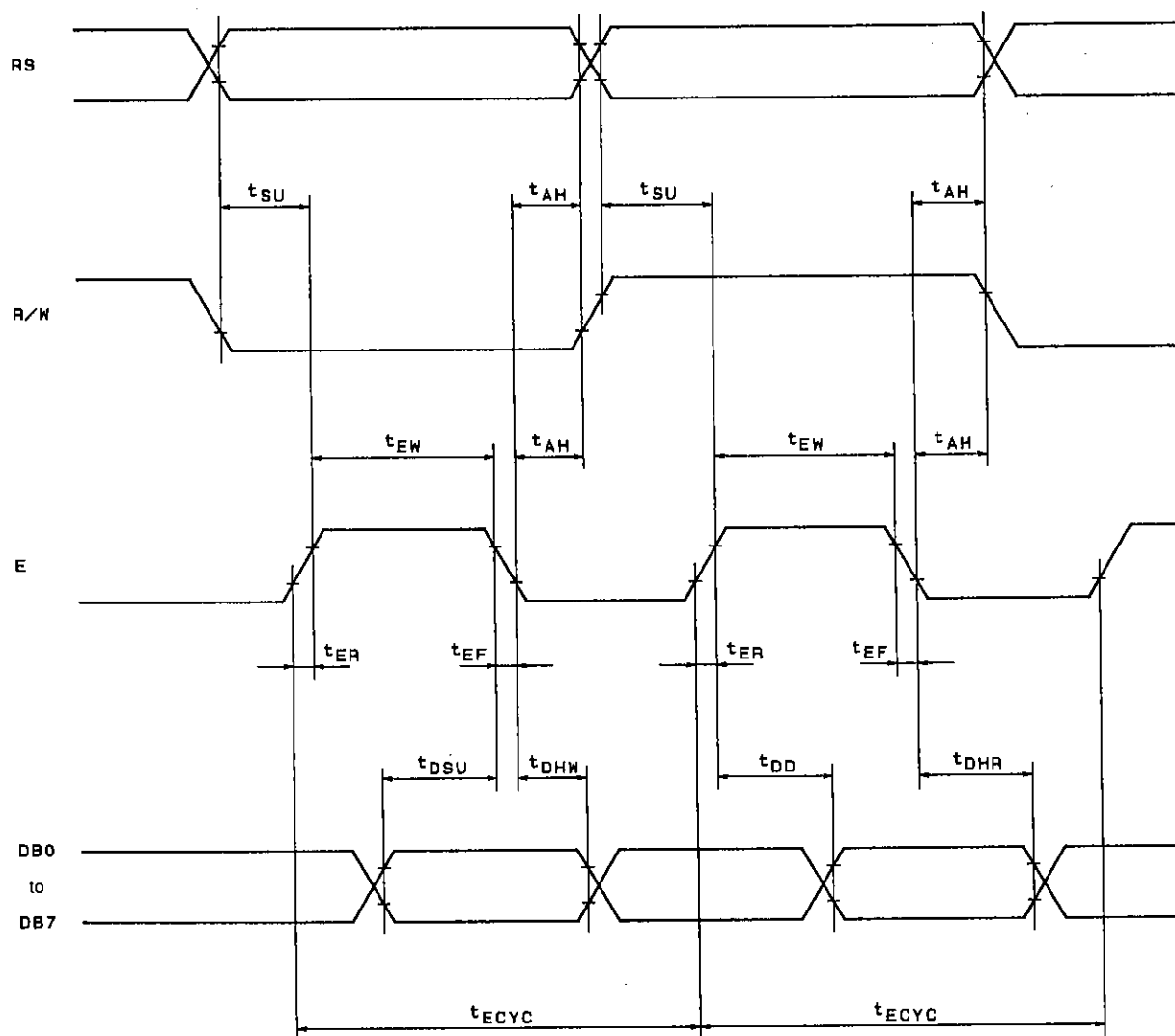


Note: When VR is 5 kΩ, the LCD drive voltage will be variable over the range 2.7 to 5.0 V.

Timing Characteristics at  $T_a = 25^\circ\text{C}$ ,  $V_{DD} - V_{SS} = 5 \pm 0.25\text{ V}$

Parameter	Symbol	min	typ	max	Unit
Enable cycle time	$t_{ECYC}$	1000			ns
Enable pulse width	$t_{WE}$	450			ns
Enable rise time	$t_{ER}$			25	ns
Enable fall time	$t_{EF}$			25	ns
Setup time	$t_{SU}$	140			ns
Address hold time	$t_{AH}$	10			ns
Data setup time	$t_{DSU}$	195			ns
Data hold time	$t_{DHW}$	10			ns
Data delay time	$t_{DD}$			320	ns
Data hold time	$t_{DHR}$	20			ns

Write and Read Operations



A02272

## Interface Pin Connections

Pin No.	Symbol	Function
1	V <sub>SS</sub>	Ground (0 V)
2	V <sub>DD</sub>	+5 V
3	V <sub>O</sub>	LCD drive power supply
4	RS	Register selection pin 0: Instruction register (write) Busy flag, address counter (read) 1: Data register (write or read)
5	R/W	Read/write pin 0: Write           Microprocessor → LCD module 1: Read            LCD module → microprocessor
6	E	Enable
7	DB0	Data bus (tristate bidirectional connections) Used as the lower 4 bits when an 8-bit interface is used. Unused when a 4-bit interface is used.
8	DB1	
9	DB2	
10	DB3	
11	DB4	Data bus (tristate bidirectional connections) Used as the upper 4 bits when an 8-bit interface is used. Used as the data bus itself when a 4-bit interface is used. DB7 is also used as the busy flag.
12	DB5	
13	DB6	
14	DB7	

Note: This module is designed so that it can be used with either a 4-bit or an 8-bit microprocessor. In four-bit mode, data is transferred in two 4-bit operations, and in 8-bit mode data is transferred in a single 8-bit operation.

CG ROM: Built-in character generator

Lower 4 bits \ Upper 4 bits	0000	0010	0011	0100	0101	0110	0111	1010	1011	1100	1101	1110	1111
xxxx0000	CG RAM (1)		o	a	P	^	P	-	o	e		o	P
xxxx0001	(2)	!	l	A	Q	a	q	u	7	7	u	a	q
xxxx0010	(3)	"	2	B	R	b	r	f	f	u	u	p	e
xxxx0011	(4)	#	3	C	S	c	s	j	7	7	e	e	e
xxxx0100	(5)	*	4	D	T	d	t	.	l	l	+	p	a
xxxx0101	(6)	%	5	E	U	e	u	.	+	+	l	e	o
xxxx0110	(7)	&	6	F	V	f	v	7	7	u	e	p	z
xxxx0111	(8)	'	7	G	W	g	w	7	+	7	7	g	π
xxxx1000	(1)	(	8	H	X	h	x	4	o	7	u	7	x
xxxx1001	(2)	)	9	I	Y	i	y	7	7	u	u	7	y
xxxx1010	(3)	*	:	J	Z	j	z	z	z	z	z	j	7
xxxx1011	(4)	+	:	K	L	k	l	7	7	7	7	*	7
xxxx1100	(5)	.	<	L	#	l	l	+	7	7	7	o	7
xxxx1101	(6)	-	=	M	I	m	i	z	z	z	z	7	+
xxxx1110	(7)	.	>	N	^	n	+	z	z	z	z	7	
xxxx1111	(8)	/	?	O	_	o	+	u	y	7	7	o	

## Instruction Function

Instruction	Code											Function	Execution time (when $f_{OSC} = 250$ kHz)
	RS	R/W	DB7	DB6	DB5	DB4	DB3	DB2	DB1	DB0			
Display clear	0	0	0	0	0	0	0	0	0	0	1	Clears the whole display and sets the address counter to DD RAM location 0.	1.64 ms
Cursor home	0	0	0	0	0	0	0	0	0	1	*	Sets the address counter to DD RAM location 0. The shifted display also returns to its original position. The contents of DD RAM is not changed.	1.64 ms
Entry mode set	0	0	0	0	0	0	0	0	1	I/D	S	Sets the cursor advance direction and whether or not the display is shifted. These operations are performed on data write and data read.	40 $\mu$ s
Display on/off control	0	0	0	0	0	0	0	1	D	C	B	Sets the whole display on/off state (D), the cursor on/off state (C) and whether or not the character at the cursor position blinks (B).	40 $\mu$ s
Cursor/display off	0	0	0	0	0	1	S/C	R/L	*	*		Moves the cursor and shifts the display without changing the contents of DD RAM.	40 $\mu$ s
Set function	0	0	0	0	1	DL	N	F	*	*		Sets the interface data length (DL), the number of display lines (N) and the font (F).	40 $\mu$ s
Set CG RAM address	0	0	0	1	A <sub>CG</sub>						Sets the CG RAM address. The data transmitted after this instruction is CG RAM data.	40 $\mu$ s	
Set DD RAM address	0	0	1	A <sub>DD</sub>						Sets the DD RAM address. The data transmitted after this instruction is DD RAM data.	40 $\mu$ s		
Read busy flag/address	0	1	BF	AC						Reads out the contents of the address counter and the busy flag (BF), which indicates whether or not an internal operation is in progress.	0 $\mu$ s		
Write CG RAM/ DD RAM data	1	0	Write data						Writes data to CG RAM or DD RAM.	40 $\mu$ s			
Read CG RAM/ DD RAM data	1	1	Read data						Reads data from CG RAM or DD RAM.	40 $\mu$ s			
	I/D = 1: Increment, I/D = 0: Decrement S = 1: Also shift display. S/C = 1: Shift display, S/C = 0: Move cursor R/L = 1: Right shift, R/L = 0: Left shift DL = 1: 8 bit mode, DL = 0: 4 bit mode N = 1: 2 row, N = 0: 1 row F = 1: 5 x 10 dot, F = 0: 5 x 7 dot BF = 1: Internal operation in progress, BF = 0: Instruction accepted											DD RAM: Display data RAM CG RAM: Character generator RAM A <sub>CG</sub> : CG RAM address A <sub>DD</sub> : DD RAM address AC: Address counter. The AC is used for both DD RAM and CG RAM.	The execution times will change if the frequency is changed. (Example) When $f_{OSC} = 270$ kHz $40 \mu s \times \frac{250}{270} = 37 \mu s$

Note: \* Invalid bit.

- No products described or contained herein are intended for use in surgical implants, life-support systems, aerospace equipment, nuclear power control systems, vehicles, disaster/crime-prevention equipment and the like, the failure of which may directly or indirectly cause injury, death or property loss.
- Anyone purchasing any products described or contained herein for an above-mentioned use shall:
  - ① Accept full responsibility and indemnify and defend SANYO ELECTRIC CO., LTD., its affiliates, subsidiaries and distributors and all their officers and employees, jointly and severally, against any and all claims and litigation and all damages, cost and expenses associated with such use:
  - ② Not impose any responsibility for any fault or negligence which may be cited in any such claim or litigation on SANYO ELECTRIC CO., LTD., its affiliates, subsidiaries and distributors or any of their officers and employees jointly or severally.
- Information (including circuit diagrams and circuit parameters) herein is for example only; it is not guaranteed for volume production. SANYO believes information herein is accurate and reliable, but no guarantees are made or implied regarding its use or any infringements of intellectual property rights or other rights of third parties.

This catalog provide information as of May, 1996. Specifications and information herein are subject to change without notice.