

# RED LASER DIODE

## DL-LS1018

Tentative

# SANYO

Ver.1 July. 2001

### Features

- Wavelength : 675 nm (Typ.)
- Low threshold current : I<sub>th</sub> = 40 mA (Typ.)
- Beam Number : 2
- Beam Distance : 100μm
- Small package : ø5.6mm

### Applications

- Laser Beam Printer (LBP)

### Absolute Maximum Ratings

(T<sub>c</sub>=25°C)

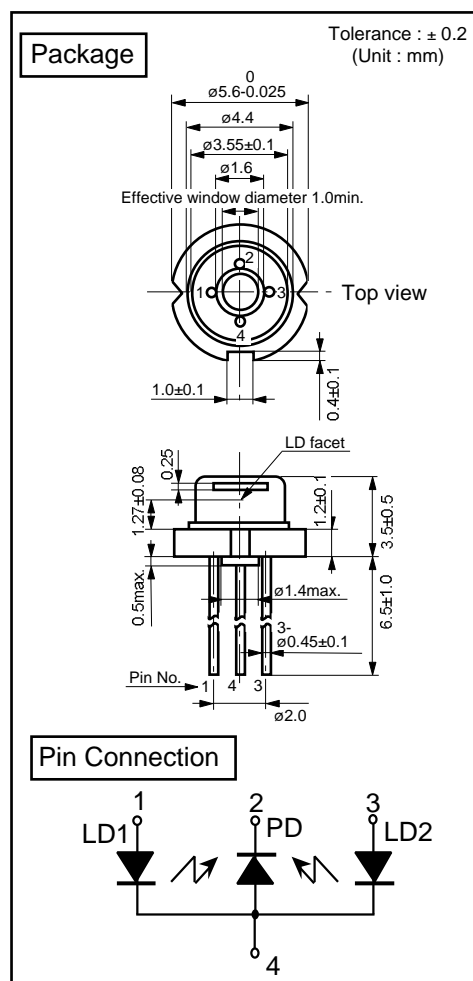
Parameter		Symbol	Ratings	Unit
Light Output		P <sub>o</sub>	10x2	mW
Reverse Voltage	LD	V <sub>R</sub>	2	V
	PD		30	
Operating Temperature		T <sub>opr</sub>	-10 to +60	°C
Storage Temperature		T <sub>stg</sub>	-40 to +85	°C

### Electrical and Optical Characteristics<sup>1) 2)</sup>

Parameter		Symbol	Condition	Min.	Typ.	Max.	Unit
Threshold Current		I <sub>th</sub>	P <sub>o</sub> =10mW	-	40	70	mA
Operating Current		I <sub>op</sub>	P <sub>o</sub> =10mW	-	60	90	mA
Operating voltage		V <sub>op</sub>	P <sub>o</sub> =10mW	-	2.3	2.6	V
Lasing Wavelength		L <sub>p</sub>	P <sub>o</sub> =10mW	665	675	685	nm
Beam Divergence <sup>3)</sup>	Perpendicular	Q <sub>v</sub>	P <sub>o</sub> =10mW	25	30	40	°
	Parallel	Q <sub>h</sub>	P <sub>o</sub> =10mW	6	8	10	°
Off Axis Angle	Perpendicular	dQ <sub>v</sub>	-	-	-	± 3	°
	Parallel	dQ <sub>h</sub>	-	-	-	± 3	°
Differential Efficiency		dP <sub>o</sub> /dI <sub>op</sub>	-	0.2	0.5	-	mW/mA
Monitor Output Current		I <sub>m</sub>	P <sub>o</sub> =10mW	0.05	0.15	-	mA
Astigmatism		A <sub>s</sub>	P <sub>o</sub> =10mW	-	8	-	

1) For each one LD 2) All the above values are evaluated with Tottori sanyo's measuring apparatus.

3) Full angle at half maximum. Note : The above product specification are subject to change without notice.



(T<sub>c</sub>=25°C)

Tottori SANYO Electric Co., Ltd. Electronic Device Business Headquarters  
LED Division

5-318, Tachikawa, Tottori 680-8634 Japan

TEL : +81-857-21-2137 FAX : +81-857-21-2161

