

Modem Interface Type D 9091 0210



- 5 operation modes
 - Public line remote
 - Public line central
 - Private line master
 - Private line slave
 - RS 232 interface
- Baud rate: 300, 1200, 2400, 4800, 9600 Baud
- Protocols: Hayes AT and CCITT V.25 bis
- LED-indications for supply, call initiate, external Dupline® OK and modem connection OK
- AC power supply

Product Description

Dupline® interface for commonly available telephone modems (autodial or leased line). Hayes AT or CCITT V.25 protocol with selectable data format. Event, time or

manually controlled connection between autonomously operated remote Dupline® installations and a central location.

Ordering Key

D 9091 0210 024

Type: Dupline® _____
 Type no. _____
 Supply _____

Type Selection

Supply	Ordering no.
24 VAC	D 9091 0210 024
115 VAC	D 9091 0210 115
230 VAC	D 9091 0210 230

No code module required

Supply Specifications

Power supply		Installation cat. III (IEC 60664)
Rated operational voltage	024	024 VAC ± 15%
	115	115 VAC ± 15%
	230	230 VAC ± 15%
Frequency		45 to 65 Hz
Voltage interruption		≤ 40 ms
Power consumption		Typ. 6 VA
Rated operational withstand voltage	230	4 kV
	024	800 V
Dielectric voltage		≥ 4 kVAC (rms)
Supply - Dupline		≥ 4 kVAC (rms)
Supply - Com. port		≥ 4 kVAC (rms)
Supply - Input		≥ 4 kVAC (rms)
Supply - Output		≥ 4 kVAC (rms)

Input/Output Specifications

Communication port		RS 232
Pin allocation	TxD	25 pole male SUB-D
	RxD	Pin 2
	GND	Pin 3
	DCD	Pin 7
	DTR	Pin 8
		Pin 20
Dielectric voltage		≥ 500 VAC (rms)
Com. port - Dupline®		
Dupline Tx inhibit input		Contact or NPN transistor
Open loop voltage		5 VDC
Short-circuit current		50 µA
Contact resistance		≤ 10 Ω
Cable length		≤ 3 m
Dielectric voltage		≥ 500 VAC (rms)
Input - Dupline®		None
Input - Com. port		

Output		1 SPDT relay
Function		Alarm
Contact ratings (AgCdO)		µ (micro gap)
AC voltage	AC1	5A/48 VAC (240 VA)
DC voltage	DC1	0.7 A/48 VDC (33W)
Load current		≥ 100 mA
Mechanical life		≥ 30 x 10 ⁶ operations
Elect. life (at max. load)	AC 1	≥ 2.5 x 10 ⁵ operations
Operating frequency		≤ 7200 operations/h
Dielectric voltage		≥ 4 kVAC (rms)
Output - Electronics		

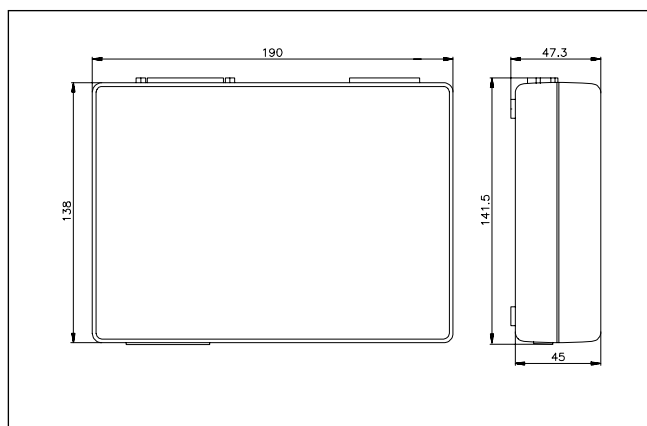
General Specifications

Power ON delay	≤ 2 s
Indication for	
Supply ON (PWR)	LED, green
Call initiate (CI)	LED, green
External Dupline OK (EXD)	LED, yellow
Modem connection OK (CON)	LED, yellow
Environment	
Degree of protection	IP 20
Pollution degree	3 (IEC 60664)
Operating temperature	0° to +50°C (+32° to +122°F)
Storage temperature	-50° to +85°C (-58° to +185°F)
Humidity (non-condensing)	0 to 80%
Mechanical resistance	
Shock	15 G (11 ms)
Vibration	2 G (6-55 Hz)
Material	Light grey polystyrol
Weight	600 g

Additional Information

Scope of supply	
1 x Modem Interface	D 9091 210...
1 x Power cable, 2 m	PWR 230
1 x User manual	MAN D90xx ENG

Dimensions (mm)



Mode of Operation

D 9091 0210 is a Dupline® modem interface for easy control of Dupline® networks through the telephone lines.

Configuration of the interface is done by means of the configurator type D 9080 or by means of a personal computer running the terminal emulator software D 9091 SW01.

The modem interface features 3 main functions for which it can be configured: public line mode, private line mode and RS 232 interface.

For status indication 4 LEDs are used:

- Call initiate (CI): to identify the dialling modem.

- External Dupline® OK (EXD): indicating that the connected Dupline® is working properly.

- Modem connection OK (CON): showing that connection is established between the 2 modems.

- Power supply ON (PWR): to indicate that power is applied to the unit.

The Run/program push button (5) (accessible with a pen through a hole on the right side of the housing) is used to switch the interface to configuration or Run-mode. When this push button is held down for 5 s the interface changes mode. Configuration mode is indicated by flashing of the three LEDs - CI, EXD and CON.

The voltage selector switch (6) (only on D 9091 0210 230) is used to adapt the unit to the supply voltage.

Note: The D 9091 0210 230 is factory set for 230 VAC.

To change the supply voltage proceed as follows:

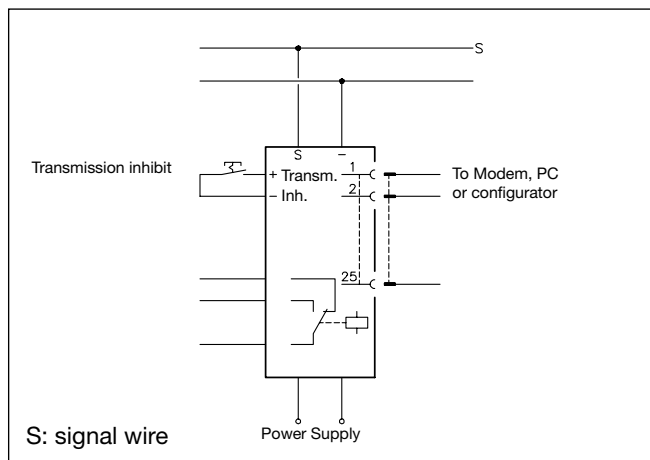
1. disconnect the power
2. remove the 4 housing screws at the bottom of the unit.
3. lift off the housing top cover
4. move switch (6) into position for selected voltage
5. reassemble the unit
6. change supply voltage label on the rear of the housing
7. connect power cable to power connector (7).

The relay output (8) deenergizes whenever one of the following problems is detected:

- Transmission breakdown
- Continuous reception of corrupted data
- External Dupline® off-line
- Reception of an alarm call

The Dupline® transmission inhibit input (10) is used to reset the data buffer and ignore the data received from the counterpart station. For more details, refer to the description in the manual.

Wiring Diagram

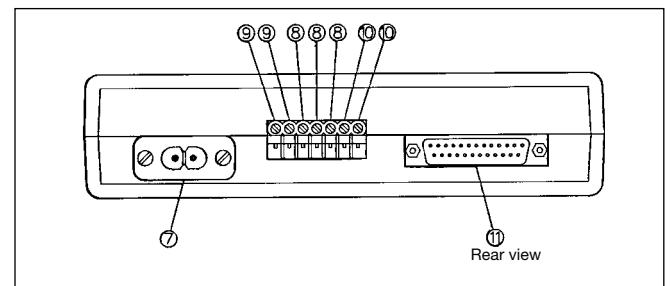
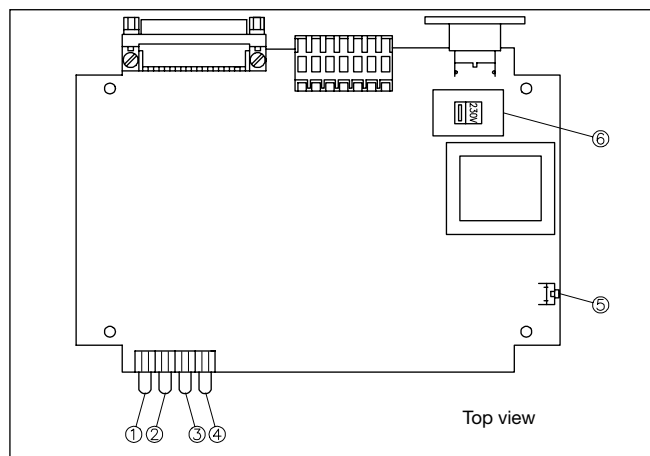


Accessories

Interface configurator	D 9080
Configuration software for	
PC: 3 1/2" disc	D 9091 SW013
5 1/4" disc	D 9091 SW015
Configurator cable	RS 232-25M/25F

For further information refer to "Accessories".

Functional Description



- 1) Supply ON-LED (PWR)
- 2) Call initiate LED (CI)
- 3) External Dupline® OK-LED (EXD)
- 4) Modem connection OK-LED (CON)
- 5) Run/program push button
- 6) Supply voltage selector switch (D 9091 0210 230 only)
- 7) Power connector
- 8) Relay output terminals
- 9) Dupline® connection terminals (S = signal, - = common)
- 10) Dupline® Transmission inhibit input terminals
- 11) Communication port to modem or configurator (D9080)