

# INTEGRATED CONNECTOR MODULES

## C850-2B6R-54 Gigabit Ethernet Compressor MagJack® 2 x 6 with LEDs



LED1 & LED3 POLARITY			LED2 & LED4 POLARITY		
PIN 11	PIN 12	COLOR	PIN 13	PIN 14	COLOR
+	-	GREEN	+	-	GREEN
-	+	ORANGE	-	+	ORANGE

### ELECTRICAL CHARACTERISTICS @ 25°C

#### TURNS RATIO

TP1	1CT : 1CT ±2%
TP2	1CT : 1CT ±2%
TP3	1CT : 1CT ±2%
TP4	1CT : 1CT ±2%

#### ∅CL @ 100kHz/100mVRMS

8mA DC BIAS                      350μH MIN.

#### INS. LOSS

0.1MHz TO 1MHz	-1.1 dB MAX
1MHz TO 65MHz	-0.5 dB MAX
65MHz TO 100MHz	-0.8 dB MAX
100MHz TO 125MHz	-1.2 dB MAX

#### RET. LOSS (MIN)

0.5MHz-40MHz	-18 dB
40MHz-100MHz	-12+20LOG(f/80MHz) dB

#### CM TO CM REJ

100kHz - 100MHz                      -30 dB MIN

#### CM TO DM REJ

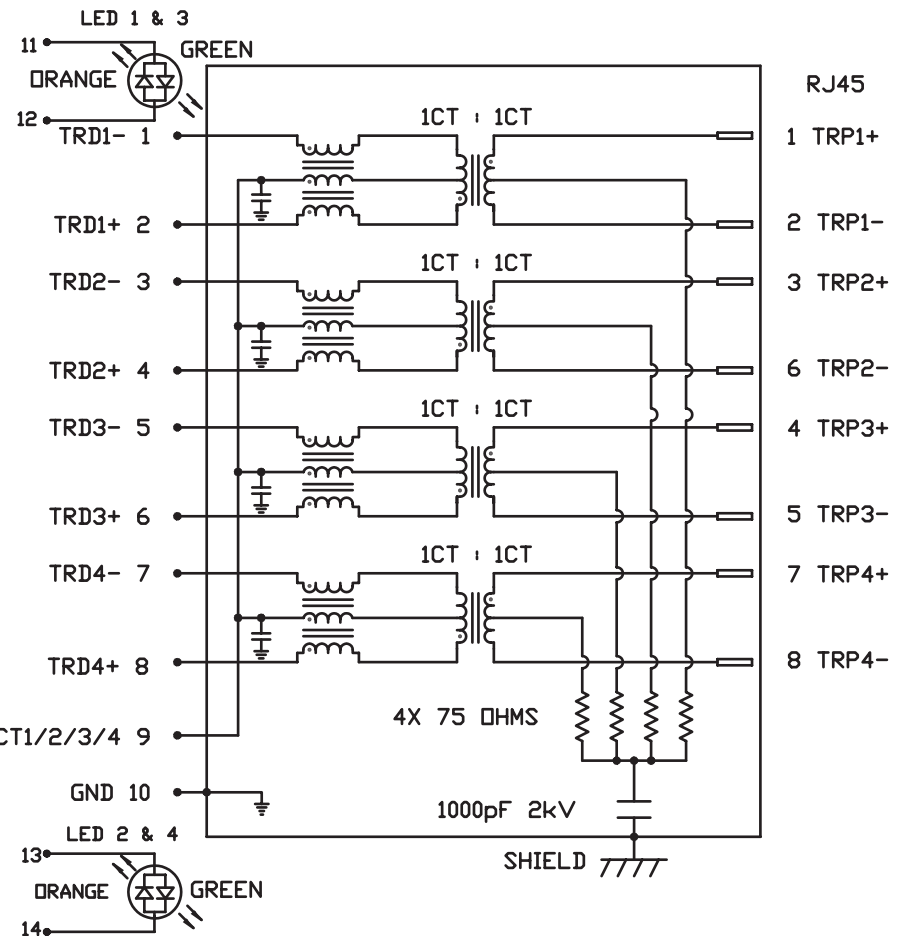
100kHz - 100MHz                      -35 dB MIN

#### HIPOT (Isolation Voltage):

1500 Vrms or 2250 VDC

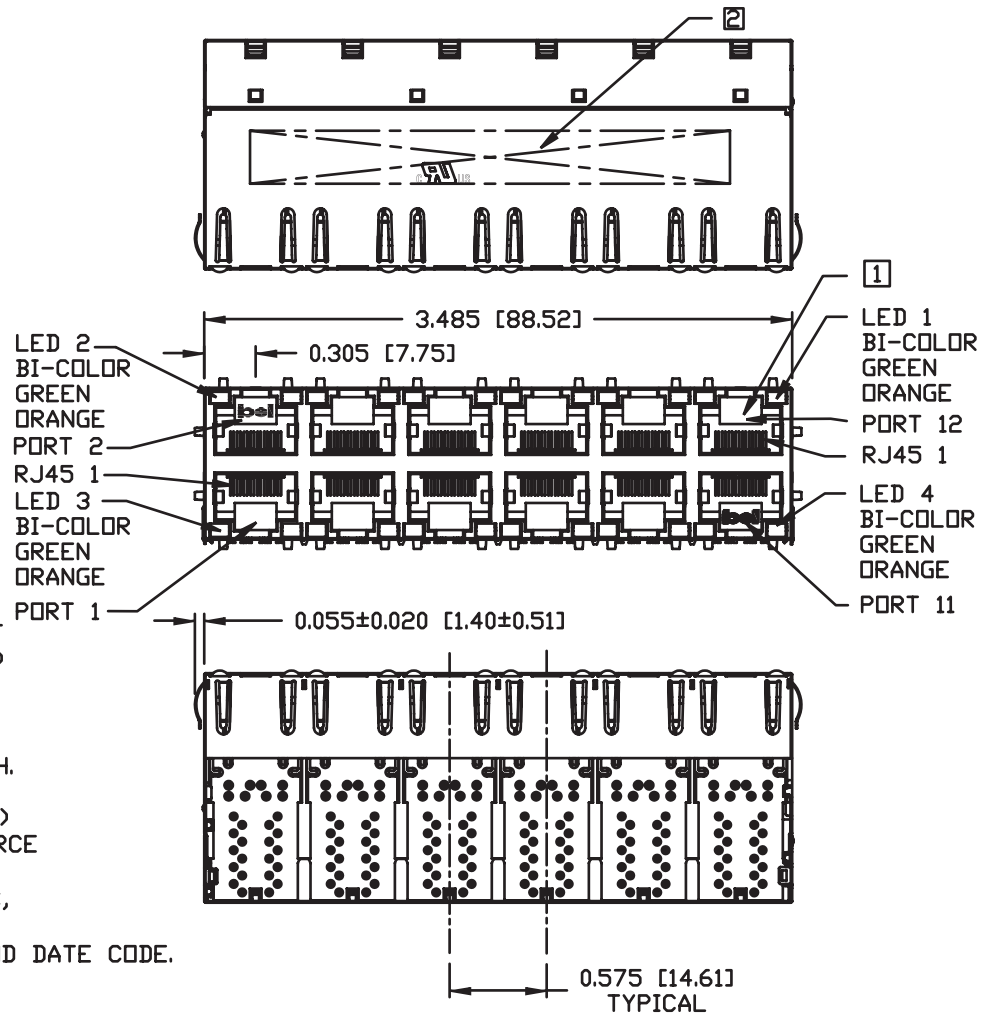
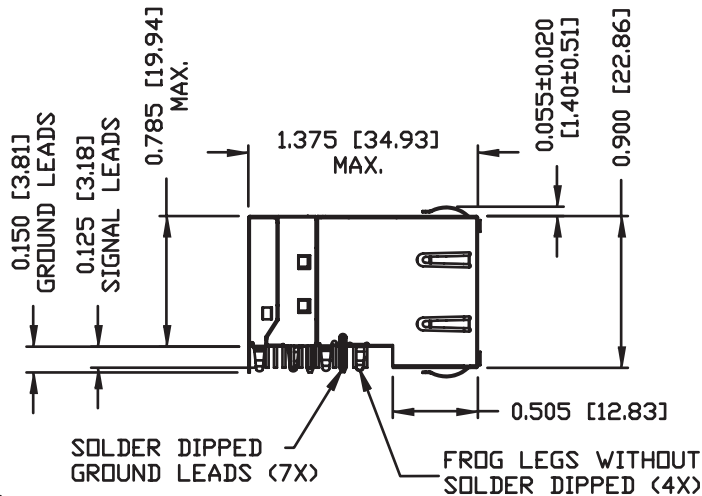
#### LED 1 & 2 & 3 & 4

VF (FORWARD VOLTAGE)	IF=20mA	GREEN	2.2V TYP.
		ORANGE	2.0V TYP.
λD (DOMINANT WAVELENGTH)	IF=20mA	GREEN	565nm TYP.
		ORANGE	610nm TYP.



# INTEGRATED CONNECTOR MODULES

## C850-2B6R-54 Gigabit Ethernet Compressor MagJack® 2 x 6 with LEDs



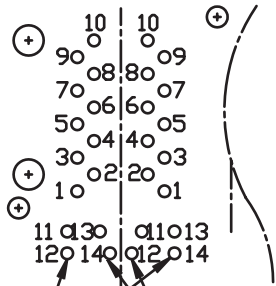
NOTES:  
 PLASTIC HOUSING: THERMOPLASTIC PBT  
 FLAMMABILITY RATING UL 94V-0  
 CONTACT PLATING: 30 MICRO-INCH HARD GOLD PLATING  
 OUTPUT PINS: TIN-COATED COPPER WIRE, DIA 0.018 INCH.  
 METAL SHIELD: NICKEL PLATED COPPER ALLOY.  
 (ALL GROUND LEADS ARE SOLDER DIPPED)  
 FROG LEGS ARE FOR PCB RETENTION FORCE ONLY AND NOT FOR GROUNDING PURPOSE

- 1] JACK CAVITY CONFORMS TO FCC RULES AND REGULATIONS, PART 68 SUBPART F.
- 2] MARK PART WITH MFG LOGO, MFG NAME, PART NUMBER, AND DATE CODE.

UL RECOGNIZED - FILE #E196366 AND E169987.  
 RoHS COMPLIANCE, PER EU DIRECTIVE 2002/95/EC.

# INTEGRATED CONNECTOR MODULES

## C850-2B6R-54 Gigabit Ethernet Compressor MagJack® 2 x 6 with LEDs



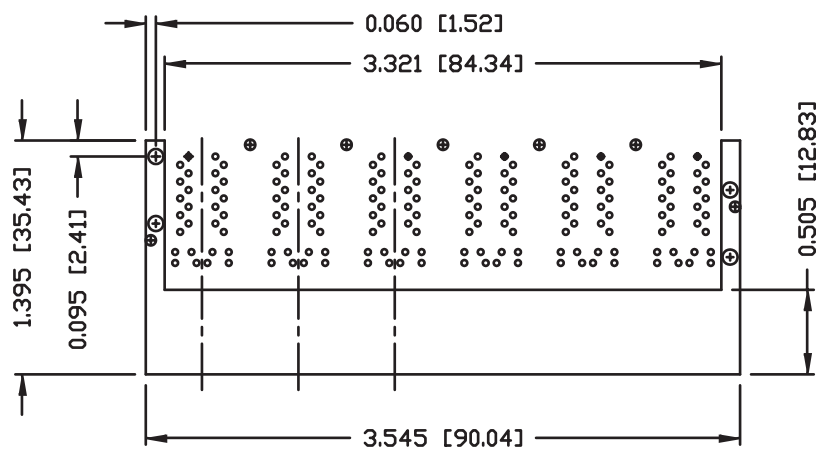
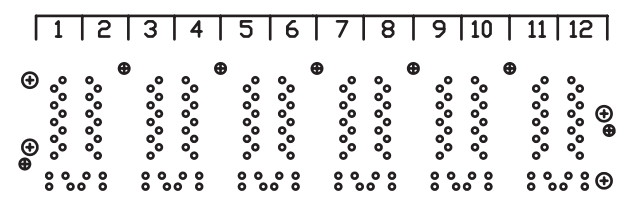
LED FOR LOWER DECK  
LED3 11-12  
LED4 13-14

LED FOR UPPER DECK  
LED1 11-12  
LED2 13-14

PIN-OUT INFORMATION  
(COMPONENT SIDE VIEW)

10	GND
9	TRDCT1/2/3/4
8	TRD 4+
7	TRD 4-
6	TRD 3+
5	TRD 3-
4	TRD 2+
3	TRD 2-
2	TRD 1+
1	TRD 1-

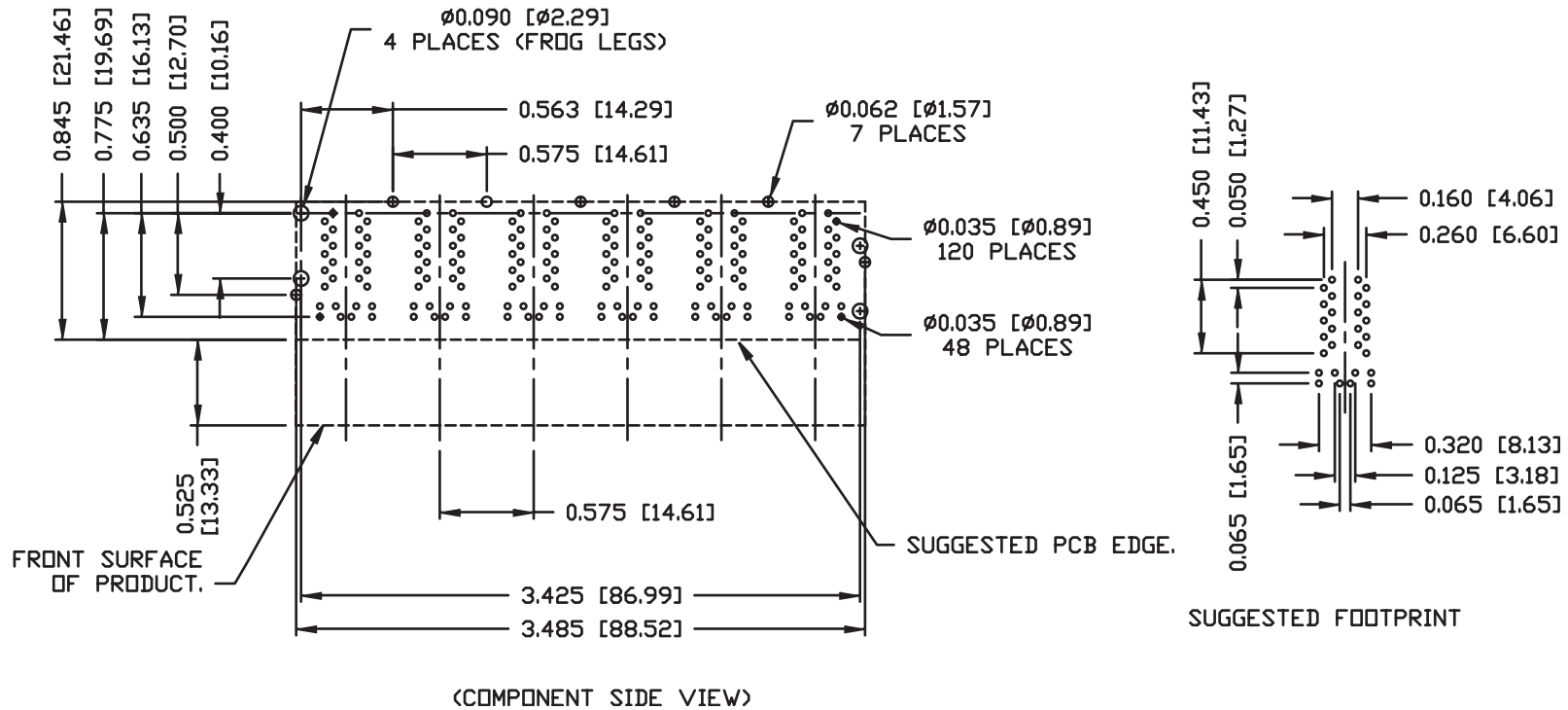
PORT ASSIGNMENT  
(COMPONENT SIDE VIEW)



THE SHADED AREA ON THE CUSTOMER BOARD ARE RECOMMENDED TO BE CLEAR OFF ANY VIA HOLE OR COMPONENT PAD.

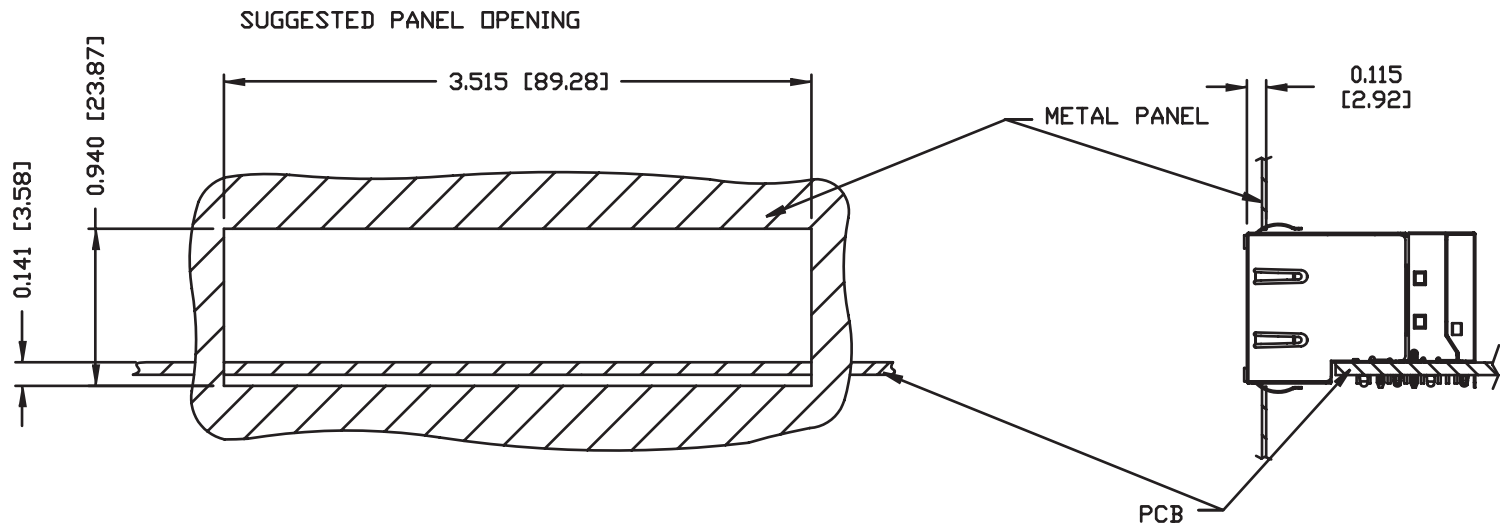
# INTEGRATED CONNECTOR MODULES

## C850-2B6R-54 Gigabit Ethernet Compressor MagJack® 2 x 6 with LEDs



## INTEGRATED CONNECTOR MODULES

### C850-2B6R-54 Gigabit Ethernet Compressor MagJack® 2 x 6 with LEDs



**NOTE:**

THE DISTANCE OF PANEL INSIDE SURFACE RELATIVE TO FRONT SURFACE OF PART IS ONLY A SUGGESTION. IN CASE THIS DISTANCE IS DIFFERENT, THE REQUIRED PANEL OPENING DIMENSIONS CHANGE ACCORDINGLY.

**PACKING INFORMATION**

PACKING TRAY : 0200-9999-H1 (TOP)

0200-9999-H2 (BOTTOM)

PACKING QUANTITY : 18 PCS FINISHED GOODS PER TRAY.

6 TRAYS (108 PCS FINISHED GOODS) PER CARTON BOX.

NOTE : CARDBOARDS ARE PLACED BETWEEN LAYERS OF PACKING TRAY INSIDE CARTON BOX.

(INCLUDE THE UPPERMOST AND LOWERMOST TRAY)