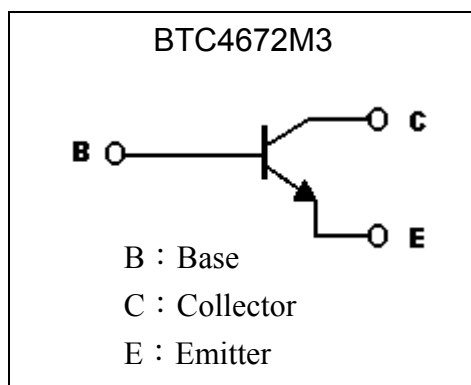
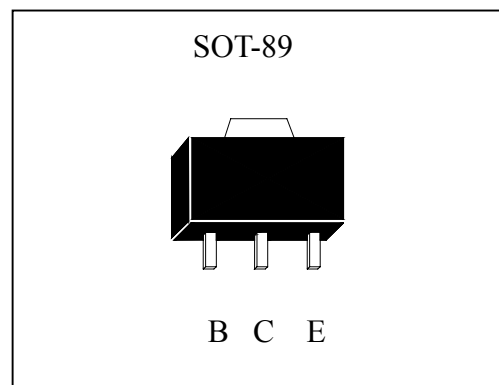


Silicon NPN Epitaxial Planar Transistor

BTC4672M3

Features

- Low saturation voltage, typically $V_{CE(sat)}=0.1V$ at $I_C/I_B=1A/50mA$
- Excellent DC current gain characteristics
- Complementary to BTA1797M3
- Pb-free package

Symbol

Outline

Absolute Maximum Ratings ($T_a=25^{\circ}C$)

Parameter	Symbol	Limits	Unit
Collector-Base Voltage	V_{CBO}	60	V
Collector-Emitter Voltage	V_{CEO}	50	V
Emitter-Base Voltage	V_{EBO}	6	V
Collector Current (DC)	I_C	3	A
Collector Current (Pulse)	I_{CP}	6	A
Power Dissipation	P_D	0.6	W
		1 (Note 1)	
		2 (Note 2)	
Junction Temperature	T_j	150	$^{\circ}C$
Storage Temperature	T_{stg}	-55~+150	$^{\circ}C$

 Note : 1. When mounted on FR-4 PCB with area measuring $10 \times 10 \times 1$ mm

 2 . When mounted on ceramic with area measuring $40 \times 40 \times 1$ mm

**Thermal Characteristics**

Parameter	Symbol	Value	Unit
Thermal Resistance, Junction to Ambient	R _{θJA}	208	°C/W
		125 (Note 1)	
		62.5 (Note 2)	
Thermal Resistance, Junction to Case	R _{θJC}	105	°C/W
		60	
		39.3	

Note : 1. When mounted on FR-4 PCB with area measuring 10×10×1 mm
2. When mounted on ceramic with area measuring 40×40×1 mm

Characteristics (Ta=25°C)

Symbol	Min.	Typ.	Max.	Unit	Test Conditions
BV _{CBO}	60	-	-	V	I _C =50μA, I _E =0
BV _{CEO}	50	-	-	V	I _C =1mA, I _B =0
BV _{EBO}	6	-	-	V	I _E =50μA, I _C =0
I _{CBO}	-	-	0.1	μA	V _{CB} =60V, I _E =0
I _{EBO}	-	-	0.1	μA	V _{EB} =5V, I _C =0
*V _{CE(sat)}	-	0.1	0.35	V	I _C =1A, I _B =50mA
*V _{BE(sat)}	-	-	1.2	V	I _C =1A, I _B =100mA
h _{FE1}	250	-	500	-	V _{CE} =2V, I _C =500mA
h _{FE2}	80	-	-	-	V _{CE} =2V, I _C =1.5A
f _T	-	210	-	MHz	V _{CE} =2V, I _C =500mA, f=100MHz
C _{ob}	-	25	-	pF	V _{CB} =10V, I _E =0, f=1MHz

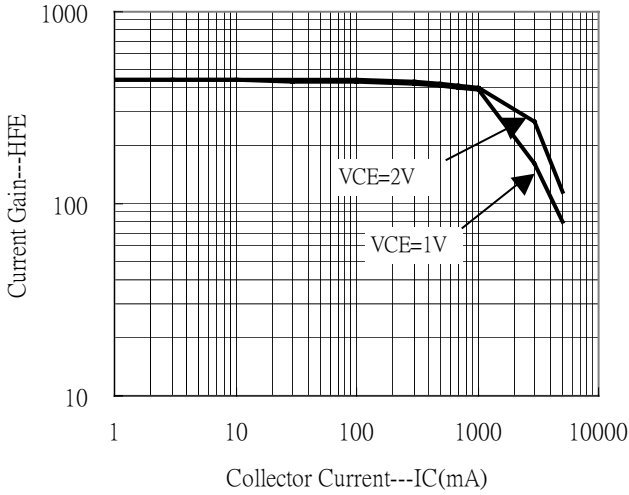
*Pulse Test: Pulse Width ≤380μs, Duty Cycle≤2%

Ordering Information

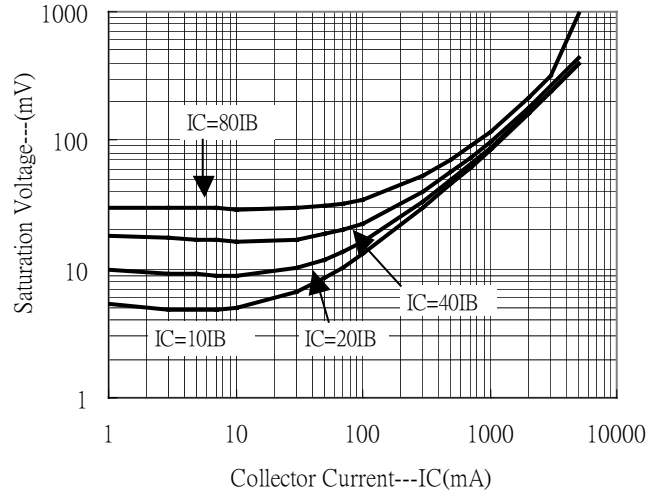
Device	Package	Shipping	Marking
BTC4672M3	SOT-89 (Pb-free)	1000 pcs / Tape & Reel	DK

Characteristic Curves

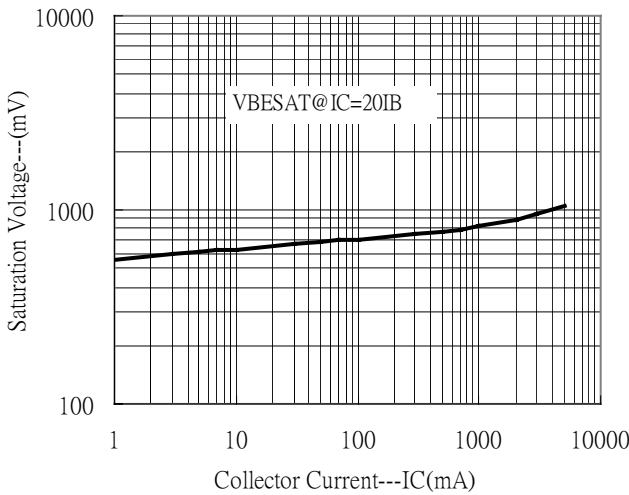
Current Gain vs Collector Current



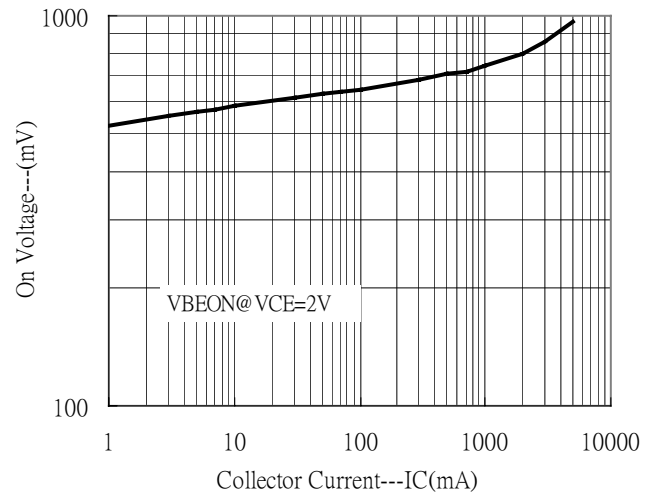
Saturation Voltage vs Collector Current



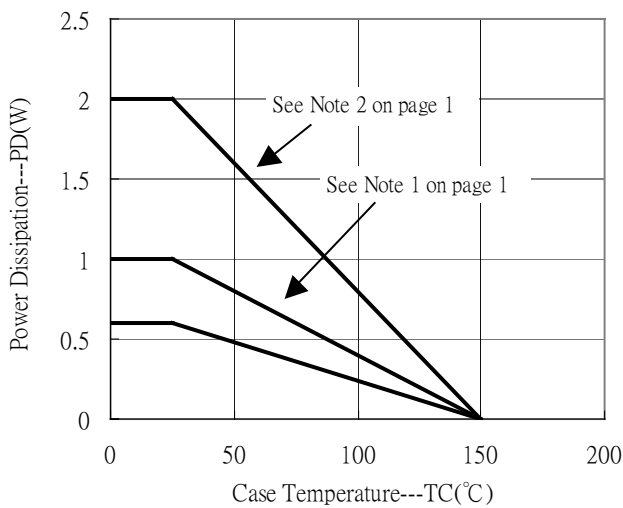
Saturation Voltage vs Collector Current



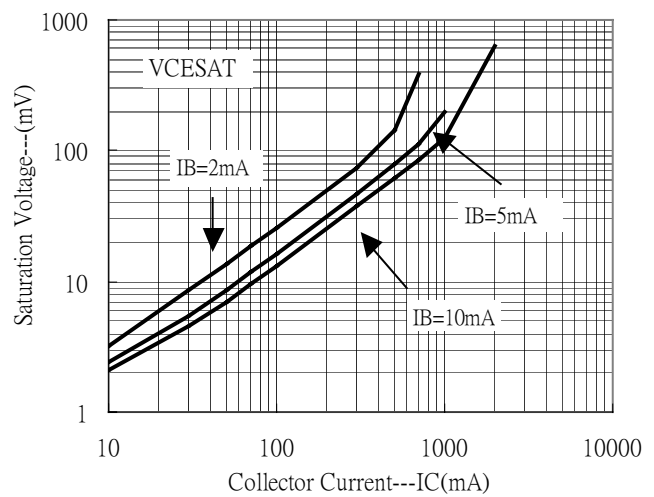
On Voltage vs Collector Current



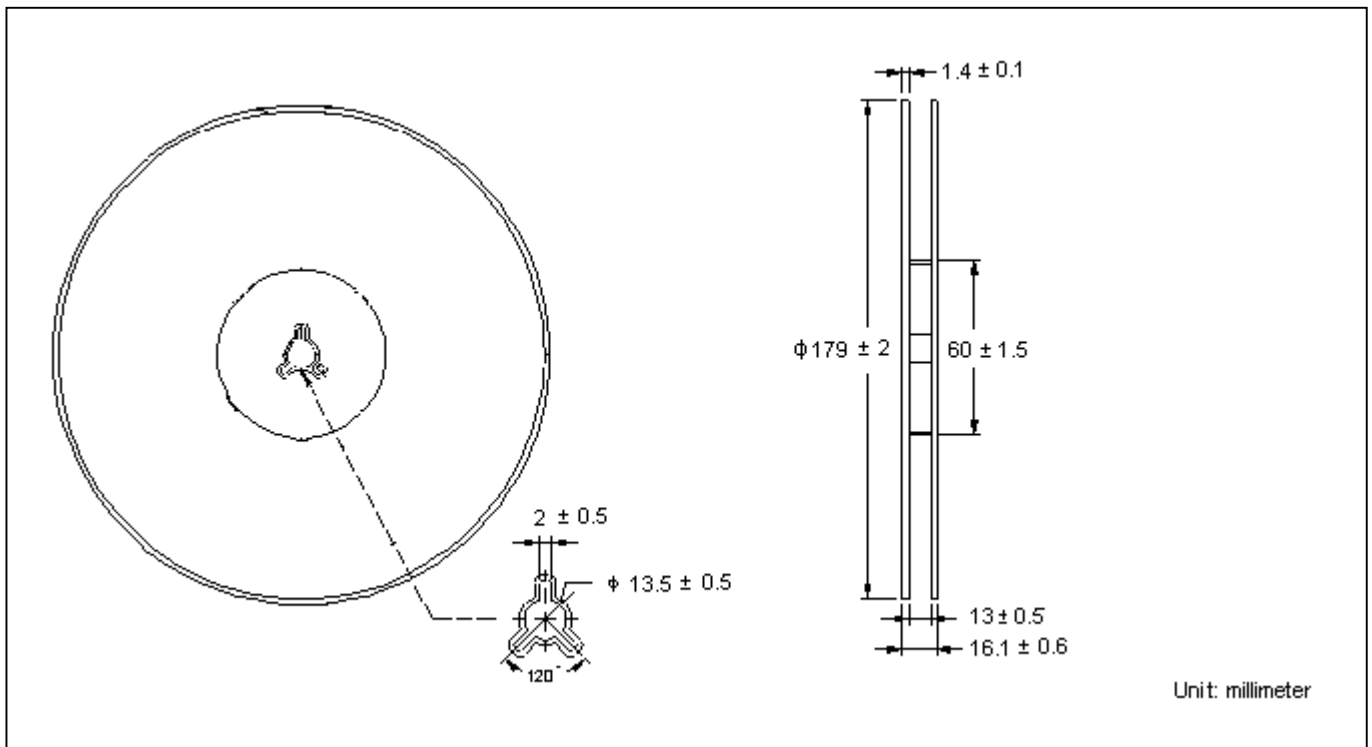
Power Derating Curve



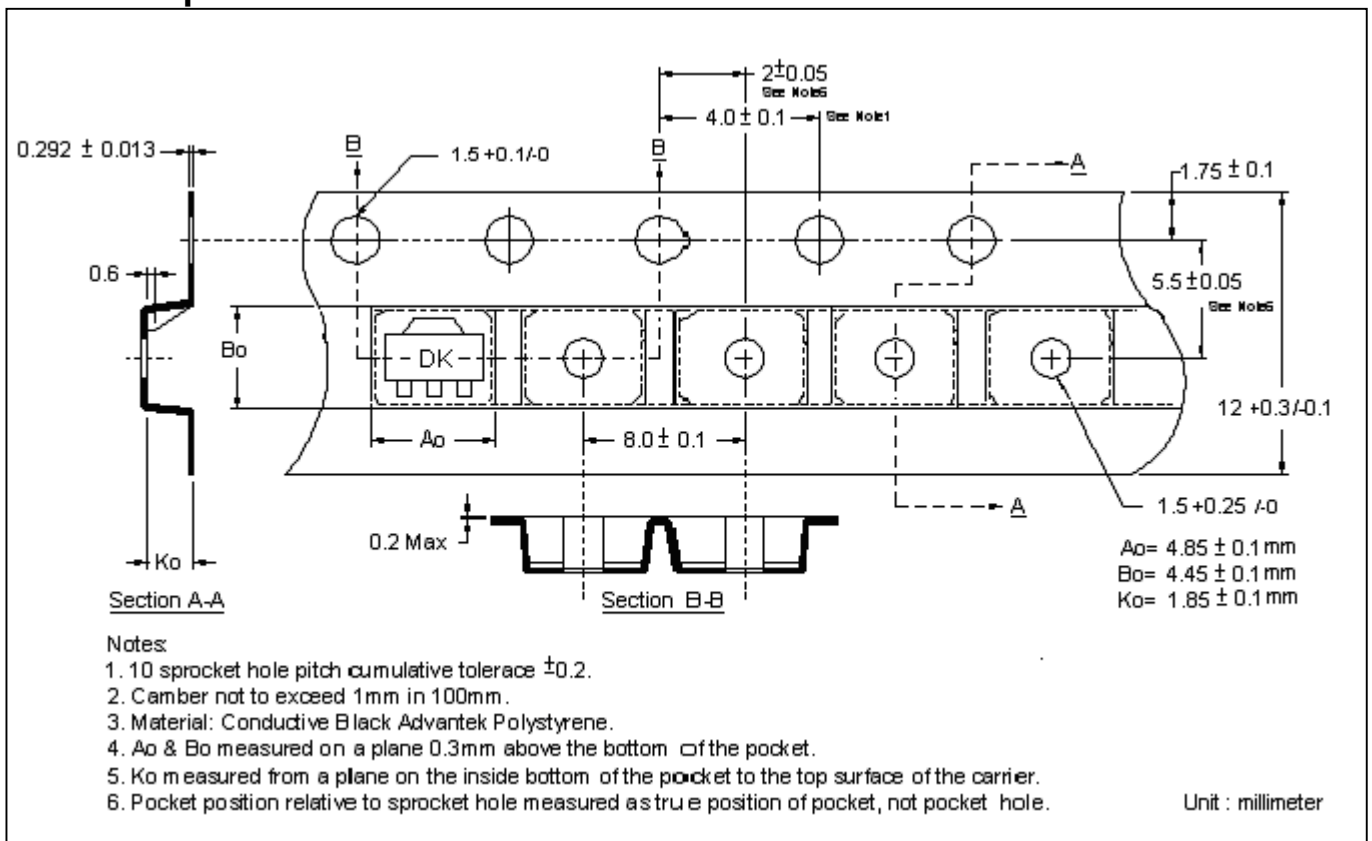
Saturation Voltage vs Collector Current



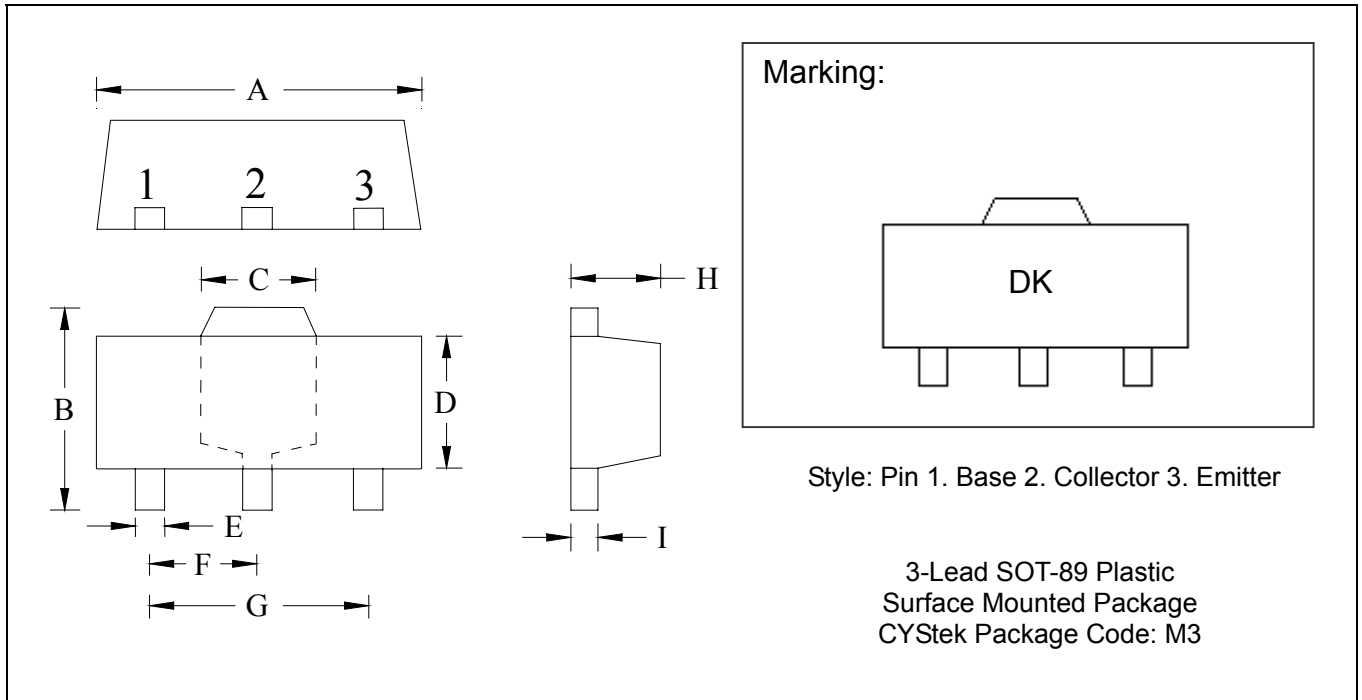
Reel Dimension



Carrier Tape Dimension



SOT-89 Dimension



*: Typical

DIM	Inches		Millimeters		DIM	Inches		Millimeters	
	Min.	Max.	Min.	Max.		Min.	Max.	Min.	Max.
A	0.1732	0.1811	4.40	4.60	F	0.0583	0.0598	1.48	1.527
B	0.1594	0.1673	4.05	4.25	G	0.1165	0.1197	2.96	3.04
C	0.0591	0.0663	1.50	1.70	H	0.0551	0.0630	1.40	1.60
D	0.0945	0.1024	2.40	2.60	I	0.0138	0.0161	0.35	0.41
E	0.01417	0.0201	0.36	0.51					

- Notes: 1. Controlling dimension: millimeters.
 2. Maximum lead thickness includes lead finish thickness, and minimum lead thickness is the minimum thickness of base material.
 3. If there is any question with packing specification or packing method, please contact your local CYStek sales office.

Material:

- Lead: 42 Alloy ; solder plating
- Mold Compound: Epoxy resin family, flammability solid burning class: UL94V-0

Important Notice:

- All rights are reserved. Reproduction in whole or in part is prohibited without the prior written approval of CYStek.
- CYStek reserves the right to make changes to its products without notice.
- CYStek **semiconductor products are not warranted to be suitable for use in Life-Support Applications, or systems.**
- CYStek assumes no liability for any consequence of customer product design, infringement of patents, or application assistance.