

Current-Compensated Ring Core Double Chokes



Rated voltage 250 Vac
Rated current 0.3 to 2.0 A
Rated inductance 1.1 to 12 mH



Construction

- Current-compensated ring core double choke with ferrite core
- Polyurethane potting
- Sector winding

Features

- Case and potting flame-retardant as per UL 94 V-0
- Suitable for reflow soldering
- Approx. 0.8 % stray inductance for differential-mode interference suppression

Applications

- Compact and narrow electronic lamp ballasts
- Compact, modular and table-top power supplies
- Automation engineering, compact power supplies up to 2 A

Terminals

- Lead-free tinned

Marking

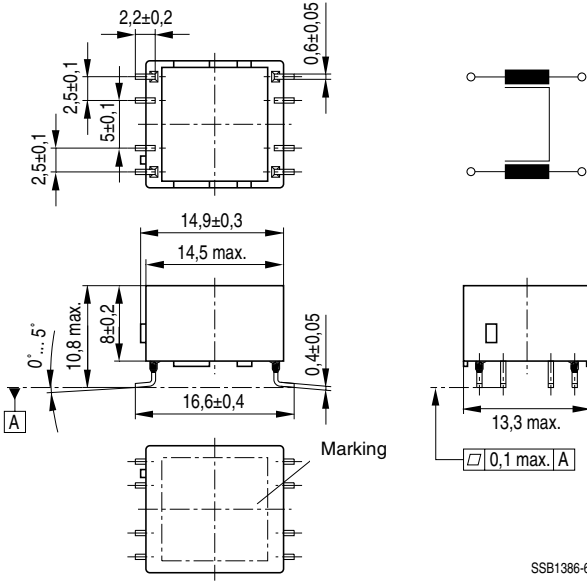
Manufacturer, ordering code, rated current, rated inductance, graphic symbol, date of manufacture

Delivery mode

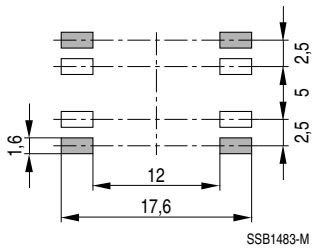
24-mm blister tape, reel packing

For details on taping, packing and packing units see page 4.

Dimensional drawing



Layout recommendation



General technical data

Test voltage V_T	1500 Vac, 2 s (line/line)
Rated current I_R	Referred to 50 Hz and 40 °C ambient temperature
Inductance tolerance	- 30/+ 50 %
Solderability	(215 ± 3) °C, (3 ± 0.3) s, wetting of soldering area ≥ 95 % in accordance with IEC 60068-2-58
Weight	Approx. 2.5 g

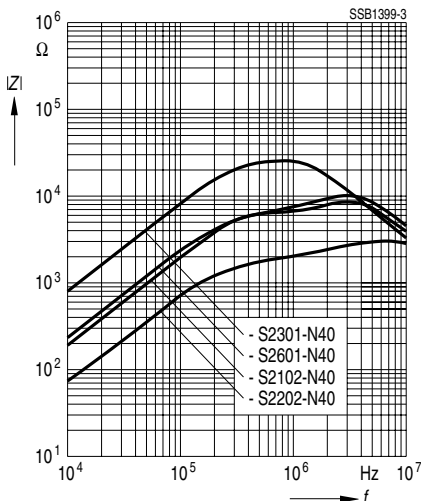
For further technical data see data book, page 334.

Characteristics and ordering codes

I_R A	L_R mH	L_S , typ μH	R_{typ} mΩ	Ordering code
0.3	12	90	1150	B82720S2301N040
0.6	4.4	32	430	B82720S2601N040
1.0	3.0	24	230	B82720S2102N040
2.0	1.1	7	70	B82720S2202N040

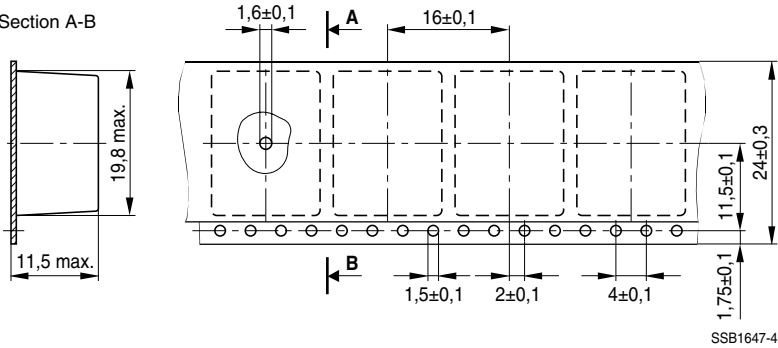
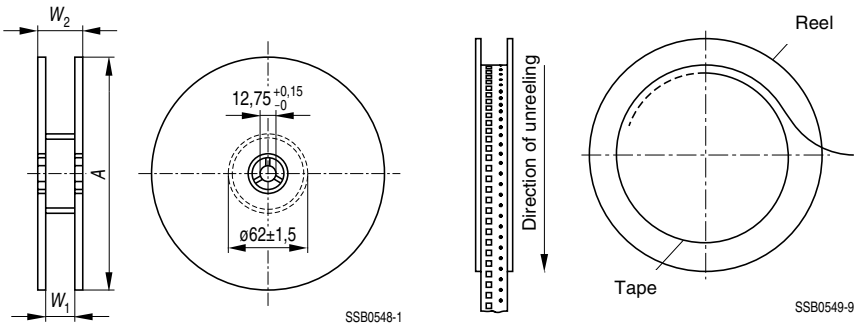
Impedance $|Z|$ versus frequency f

(measured with windings in parallel)



Taping and packing
24-mm blister tape

Section A-B


Packing


Dimensions (mm)	B82720S
Tape width	24
A	330 +0/- 2
W ₁	24.4 +2/- 0
W ₂	29.2 max.

Packing unit: 350 pcs./reel

Published by EPCOS AG

Corporate Communications, P.O. Box 80 17 09, 81617 Munich, GERMANY

☎ ++49 89 636 09, FAX (0 89) 636-2 26 89

© EPCOS AG 2005. Reproduction, publication and dissemination of this brochure and the information contained therein without EPCOS' prior express consent is prohibited.

Purchase orders are subject to the General Conditions for the Supply of Products and Services of the Electrical and Electronics Industry recommended by the ZVEI (German Electrical and Electronic Manufacturers' Association), unless otherwise agreed.

This brochure replaces the previous edition.

For questions on technology, prices and delivery please contact the Sales Offices of EPCOS AG or the international Representatives.

Due to technical requirements components may contain dangerous substances. For information on the type in question please also contact one of our Sales Offices.