

# HCMOS/TTL SMD PROGRAMMABLE CRYSTAL OSCILLATOR



3.2 X 2.5 X 1.05 mm



## ASEP SERIES

### FEATURES:

- Wide frequency range from 1MHz up to 125MHz
- Miniature size for high density applications
- -40 + 85C industrial operating temperature available

### APPLICATIONS:

- Precision clock frequency for a wide range of emerging technology applications.

For Small Quantities,  
Delivery Time  
is 1-5 days

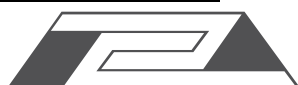
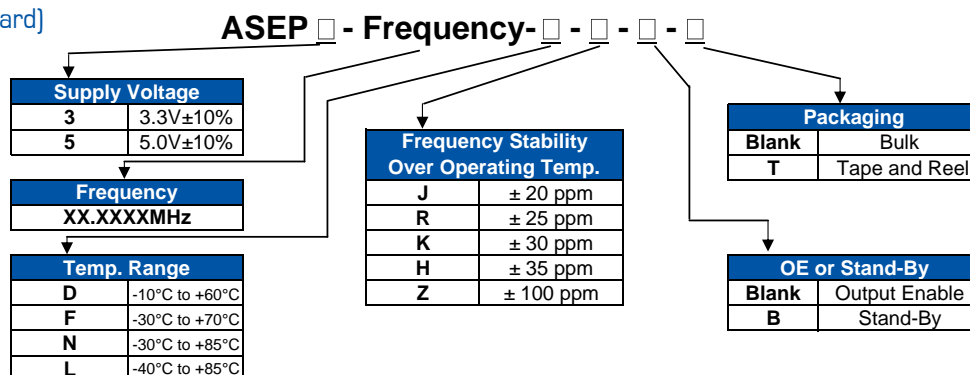
### STANDARD SPECIFICATIONS:

#### PARAMETERS

ABRACON P/N		ASEP Series			
Characteristics		Unit	Minimum	Typical	Maximum
Frequency Range		MHz	1	--	125
Operating Temp. Range * (See Options)		°C	-20	--	70
Storage Temp. Range * (See Options)		°C	-55	--	125
Freq. Stability Over Operating Temp.* (See Options)		ppm	-50	--	50
Supply Voltage (See options)	ASEP3	VDC	2.97	3.3	3.63
	ASEP5	VDC	4.5	5.0	5.5
Supply Current	ASEP3	mA	--	--	25
	ASEP5	mA	--	--	45
Disable Current (See options)	ASEP3	mA	--	--	15
	ASEP5	mA	--	--	30
Stand-by Current (See options)		uA	--	--	50
Output Load		CMOS	15pF (ASEP3 and ASEP5)		
		TTL	5TTL max. (ASEP5 only)		
Symmetry	CMOS (1/2Vdd)	%	40	50	60
	TTL (1.4V)	%	40	50	60
Rise Time	CMOS (20%Vdd<=>80%Vdd)	nSec	--	--	4
	TTL(0.4V<=>2.4V)	nSec	--	--	4
Fall Time	CMOS (20%Vdd<=>80%Vdd)	nSec	--	--	4
	TTL (0.4V<=>2.4V)	nSec	--	--	4
Output Voltage	CMOS	VOH	--	--	0.9*Vdd min.
		VOL	0.1*Vdd max.	--	--
	TTL	VOH	--	--	0.9*Vdd min.
		VOL	0.4*Vdd max.	--	--
Input (OE) Voltage	ASEP3 (CMOS)	VIH	--	--	0.7*Vdd min.
		VIL	0.2*Vdd max.	--	--
	ASEP5 (CMOS and TTL)	VIH	--	--	2.0V min.
		VIL	0.8V max.	--	--
Start-Up time		ms	--	--	10
Output Disable Time		ns	--	--	100
Output Enable Time (OE)		ns	--	--	100
Output Enable Time (ST)		ms	--	--	10
Aging (First Year)		ppm	-5	--	5

### OPTIONS & PART IDENTIFICATION:

(Left blank if standard)



# HCMOS/TTL SMD PROGRAMMABLE CRYSTAL OSCILLATOR



ASEP

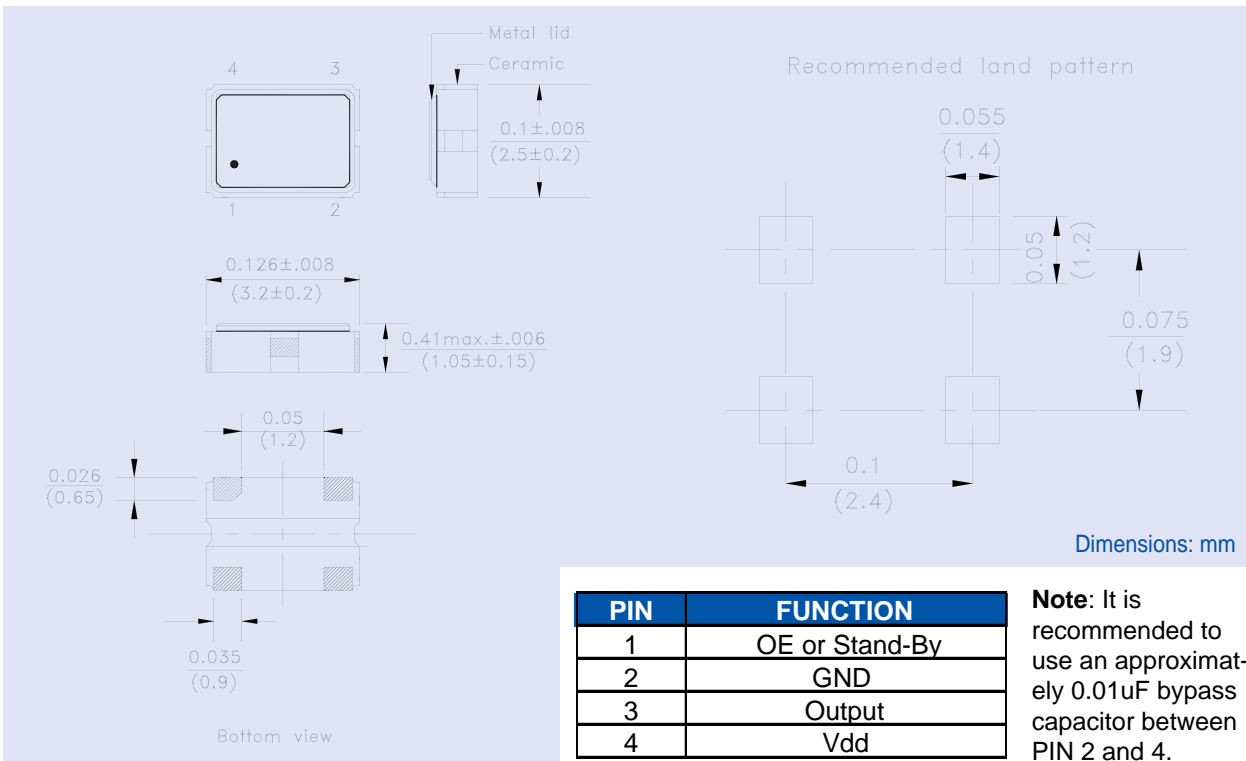
3.2 X 2.5 X 1.05 mm

ASEP SERIES

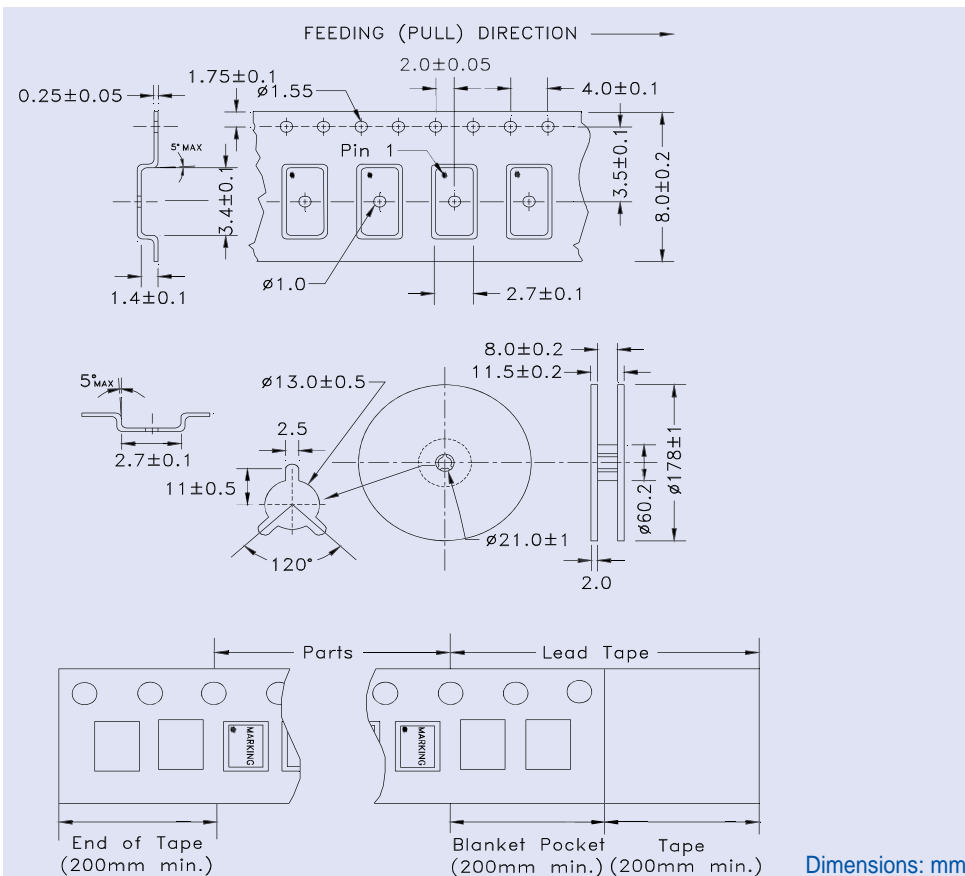


RoHS  
Compliant

## OUTLINE DRAWING:



## TAPE & REEL:



ABRACON IS  
ISO 9001 / QS 9000  
CERTIFIED

**ABRACON**  
CORPORATION

Visit [www.abracon.com](http://www.abracon.com) for Terms & Conditions of Sale **Revised: 07.09.07**

30332 Esperanza, Rancho Santa Margarita, California 92688

tel 949-546-8000 | fax 949-546-8001 | [www.abracon.com](http://www.abracon.com)