

APEKA4030MGC

MEGA GREEN

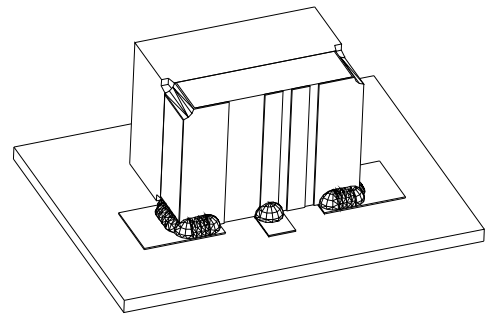
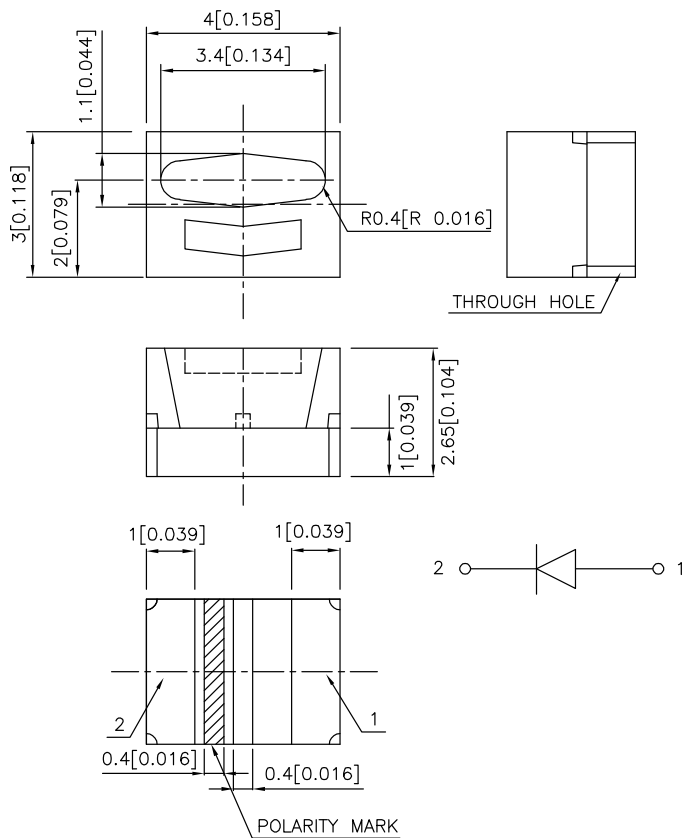
Features

- 4.0mmx3.0mm RIGHT ANGLE SMT LED, 2.65mm THICKNESS.
- LOW POWER CONSUMPTION.
- WIDE VIEWING ANGLE.
- IDEAL FOR BACKLIGHT AND INDICATOR.
- PACKAGE :500PCS / REEL.
- RoHS COMPLIANT.

Description

The Mega Green source color devices are made with DH InGaAlP on GaAs substrate Light Emitting Diode.

Package Dimensions



Notes:

1. All dimensions are in millimeters (inches).
2. Tolerance is $\pm 0.2(0.008)$ unless otherwise noted.
3. Specifications are subject to change without notice.

Selection Guide

| Part No. | Dice | Lens Type | Iv (mcd) @ 20mA | | Viewing Angle |
|--------------|----------------------|-------------|--------------------|------|------------------|
| | | | Min. | Typ. | θ1/2 |
| APEKA4030MGC | MEGA GREEN (InGaAlP) | WATER CLEAR | 36 | 100 | 90° |

Note:

1. θ1/2 is the angle from optical centerline where the luminous intensity is 1/2 the optical centerline value.

Electrical / Optical Characteristics at TA=25°C

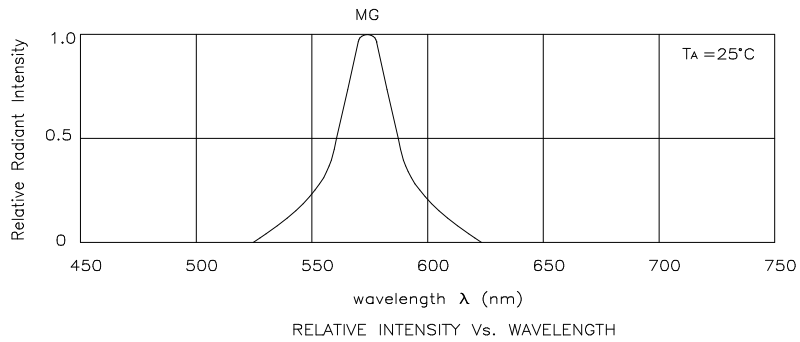
| Symbol | Parameter | Device | Typ. | Max. | Units | Test Conditions |
|--------|--------------------------|------------|------|------|-------|-----------------|
| λpeak | Peak Wavelength | Mega Green | 574 | | nm | IF=20mA |
| λD | Dominant Wavelength | Mega Green | 568 | | nm | IF=20mA |
| Δλ1/2 | Spectral Line Half-width | Mega Green | 26 | | nm | IF=20mA |
| C | Capacitance | Mega Green | 20 | | pF | VF=0V;f=1MHz |
| VF | Forward Voltage | Mega Green | 2.1 | 2.5 | V | IF=20mA |
| IR | Reverse Current | Mega Green | | 10 | uA | VR = 5V |

Absolute Maximum Ratings at TA=25°C

| Parameter | Mega Green | Units |
|-------------------------------|----------------|-------|
| Power dissipation | 105 | mW |
| DC Forward Current | 30 | mA |
| Peak Forward Current [1] | 150 | mA |
| Reverse Voltage | 5 | V |
| Operating/Storage Temperature | -40°C To +85°C | |

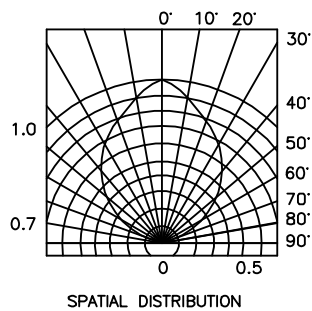
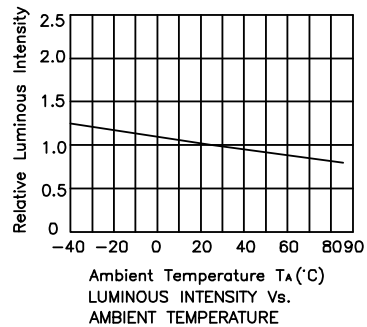
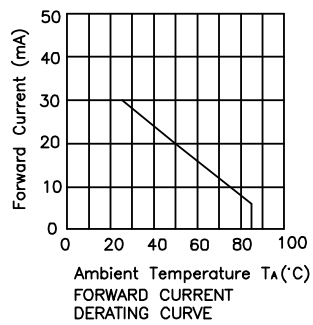
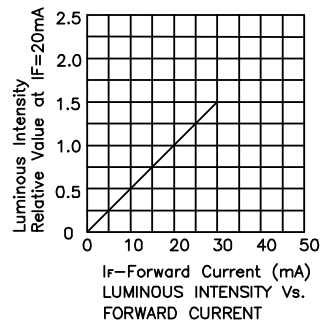
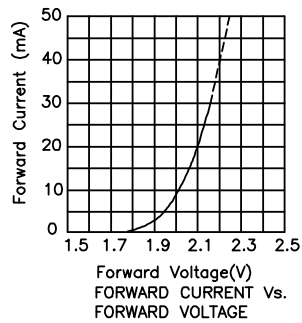
Note:

1. 1/10 Duty Cycle, 0.1ms Pulse Width.



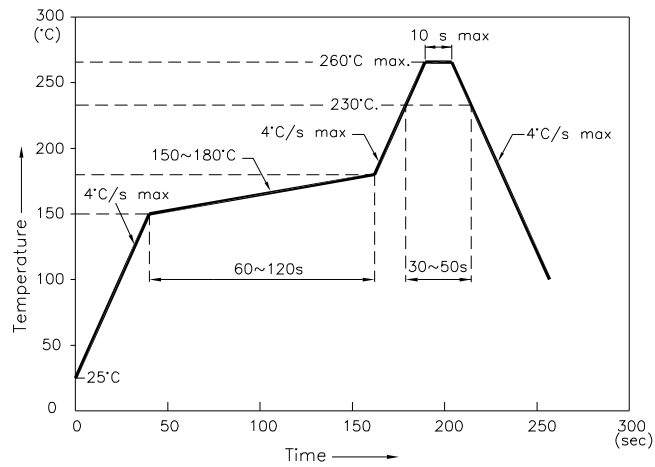
Mega Green

APEKA4030MGC



APEKA4030MGC

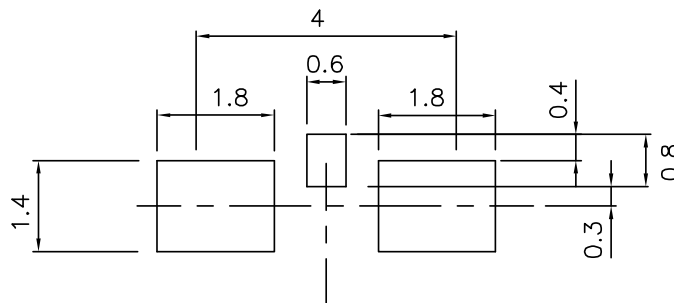
Reflow Soldering Profile For Lead-free SMT Process.



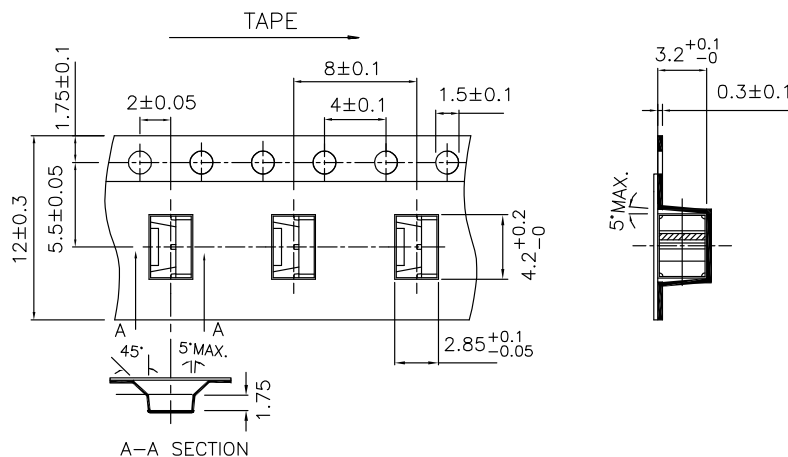
NOTES:

1. We recommend the reflow temperature 245°C(+/-5°C). The maximum soldering temperature should be limited to 260°C.
2. Don't cause stress to the epoxy resin while it is exposed to high temperature.
3. Number of reflow process shall be 2 times or less.

Recommended Soldering Pattern (Units : mm)

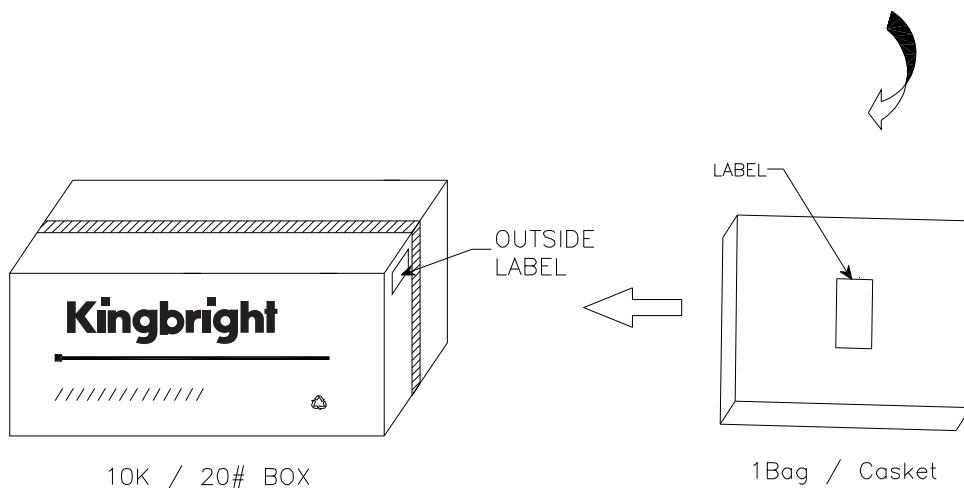
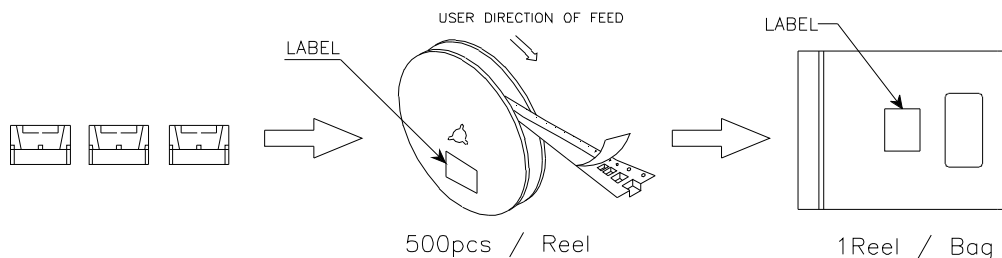



Tape Specifications (Units : mm)



PACKING & LABEL SPECIFICATIONS

APEKA4030MGC



| | |
|---|---|
| Kingbright | |
| P/NO: APEKA4030XXX | |
| QTY: 500 pcs | Q.C. Q.C. XX-XX-XXXX PASSED |
| S/N: XXXX | |
| CODE: XXX | |
| LOT NO: | |
|  | |
| MADE IN CHINA | RoHS Compliant |

Remarks:

If special sorting is required (e.g. binning based on forward voltage, luminous intensity, or wavelength), the typical accuracy of the sorting process is as follows:

1. Wavelength: +/-1nm
2. Luminous Intensity: +/-15%
3. Forward Voltage: +/-0.1V

Note: Accuracy may depend on the sorting parameters.