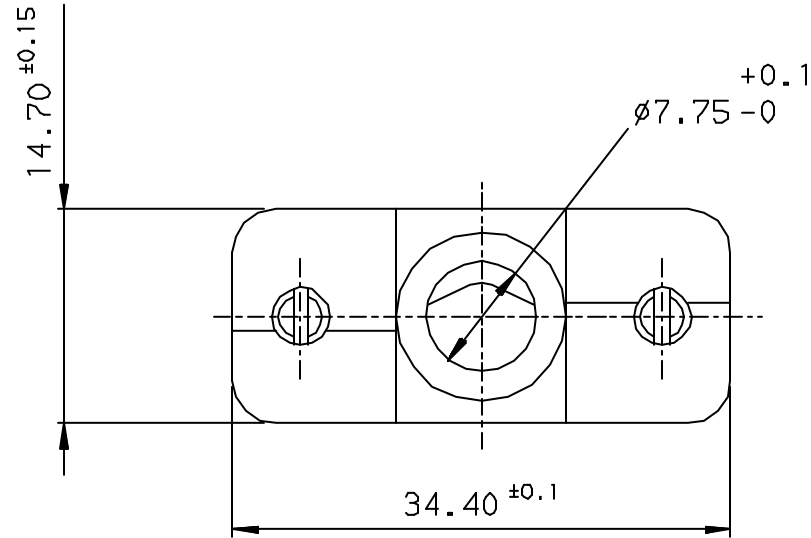
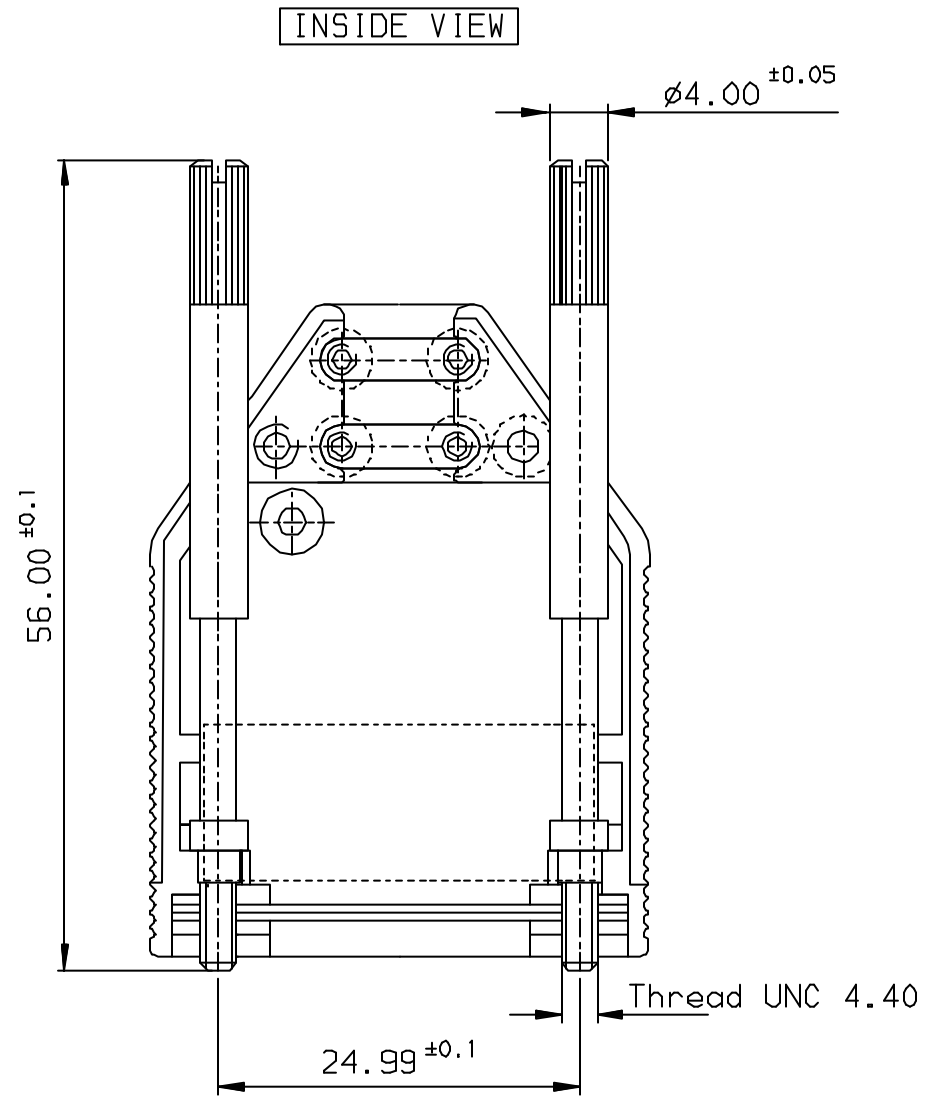
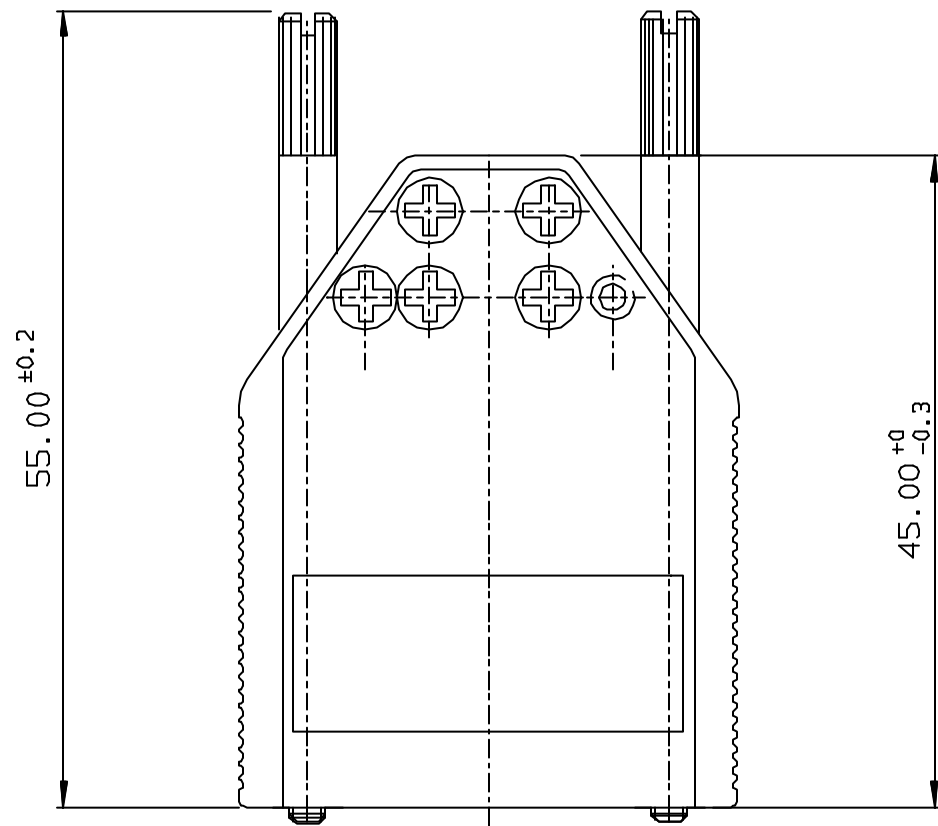


Tous droits strictement réservés. Reproduction ou communication à des tiers interdite sous quelque forme que ce soit sans autorisation écrite du propriétaire. Propriété de FCI. Droits de reproduction FCI.

**FCI**

All rights strictly reserved. Reproduction or issue to third parties in any form whatsoever is not permitted without written authority from the proprietor. Property of FCI. Copyright FCI.



Core range		
PART NUMBER	8655MH0911	PACKAGING: per 1 piece

FOR STANDARD AND APPLICATION SPECIFIC PART NUMBER SEE SHEET 2.

European view

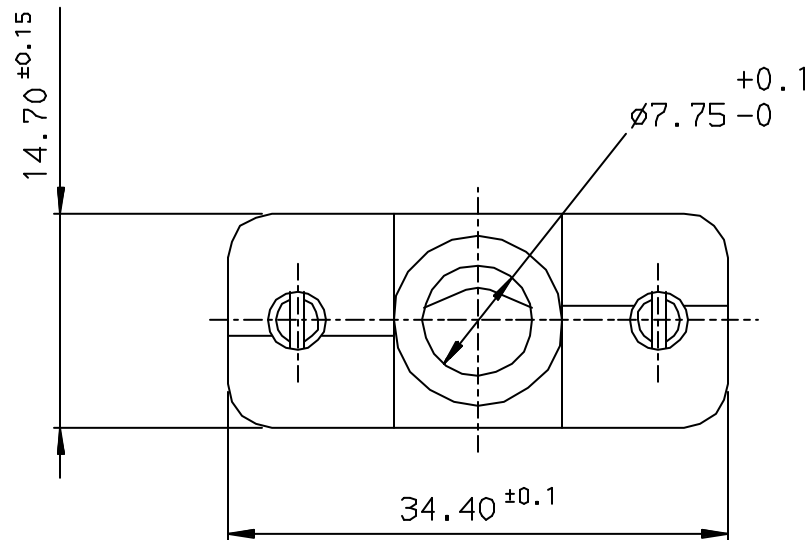
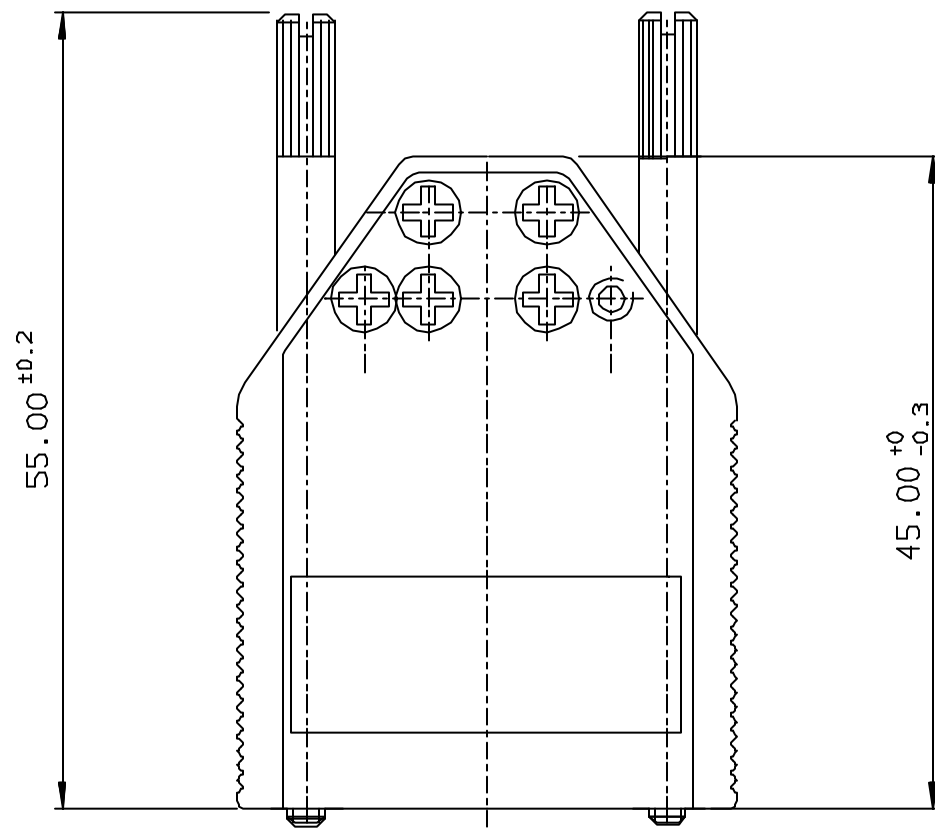
Ltr	ecn no	dr	date
C	-	JAR	13/08/02
D	LS05-0026	MPE	08/07/05
E	LS05-0084	MPE	29/09/05
-	-	-	-
-	-	-	-
-	-	-	-
-	-	-	-

<b>FCI</b>	www.fciconnect.com		150 1302	tolerance ISO 406 ISO 1101	projection 	mm 
	Dr	JARRY				
Eng	PESSON	05/03/92	Spec ref	-	size	A3
Chr	LEGARE	05/03/92	Material	SEE NOTES	ECN	LS05-0084
Appr	LEGARE	05/03/92				
title	SHIELDED HOODS - TWO PARTS HOODS (Shell size 09)				Rev.	E
catalog no	- CUSTOMER COPY				sheet	1 of 1

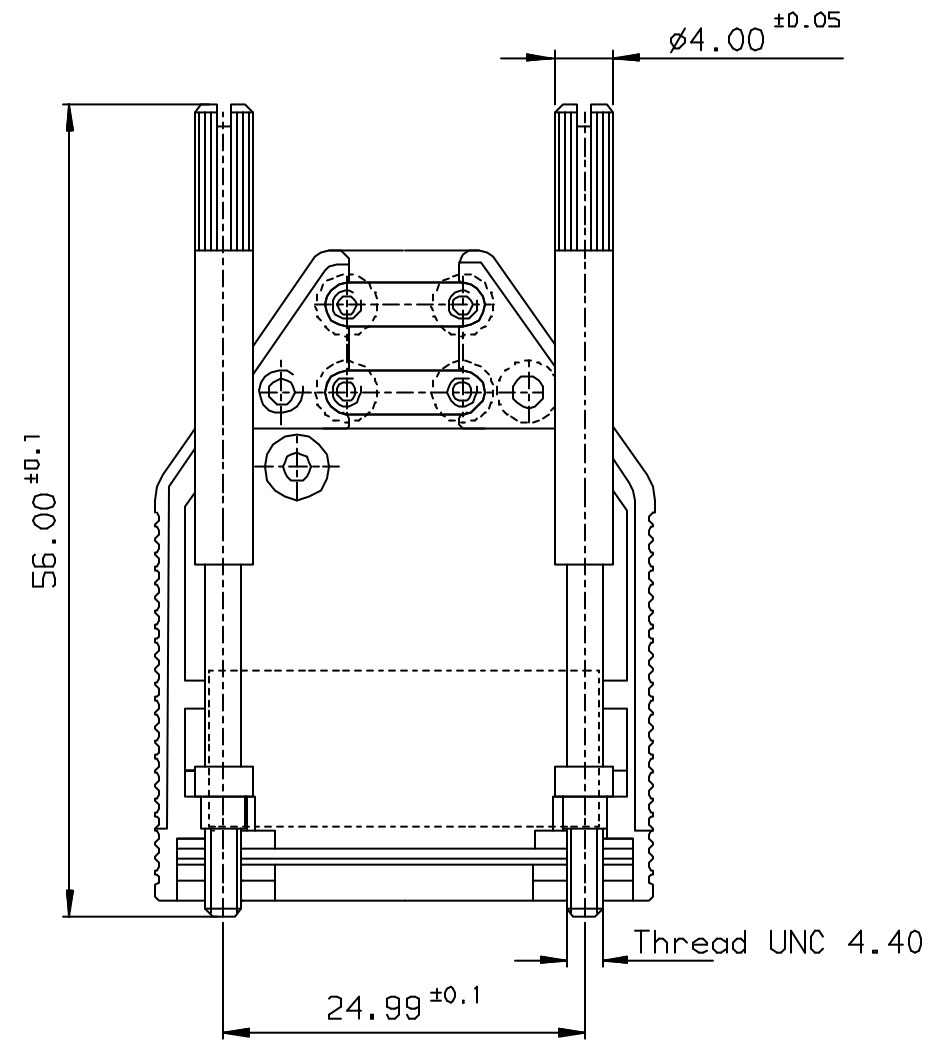
Tous droits strictement réservés. Reproduction ou communication à des tiers interdite sans quelque forme que ce soit sans autorisation écrite du propriétaire. Propriété de FCI. Droits de reproduction FCI.

**FCI**

All rights strictly reserved. Reproduction or issue to third parties in any form whatever is not permitted without written authority from the proprietor. Property of FCI. Copyright FCI.



INSIDE VIEW



Pull Parts		
PART NUMBER	8655MH0901	PACKAGING: per 80 pieces

European view

<b>FCI</b>	www.fciconnect.com		150 1302	tolerance 150 406 150 1101	projection 	mm 								
	Dr	JARRY	05/03/92	Product family	D-SUB									
C	-	JAR	13/08/02	Eng	PESSON	05/03/92	Spec ref	-	size	A3	Scale	2		
D	LS05-0026	MPE	08/07/05	Chr	LEGARE	05/03/92	Material	SEE NOTES	ECN	LS05-0084				
E	LS05-0084	MPE	29/09/05	Appr	LEGARE	05/03/92								
title							SHIELDED HOODS - TWO PARTS HOODS		drawing no	C01-8655-0625-2			Rev.	E
							(Shell size 09)			- CUSTOMER COPY			sheet 1 of 1	
catalog no														

Ltr	ecn no	dr	date
C	-	JAR	13/08/02
D	LS05-0026	MPE	08/07/05
E	LS05-0084	MPE	29/09/05
-	-	-	-
-	-	-	-
-	-	-	-
-	-	-	-