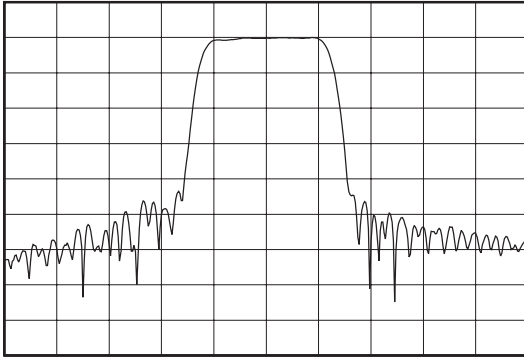
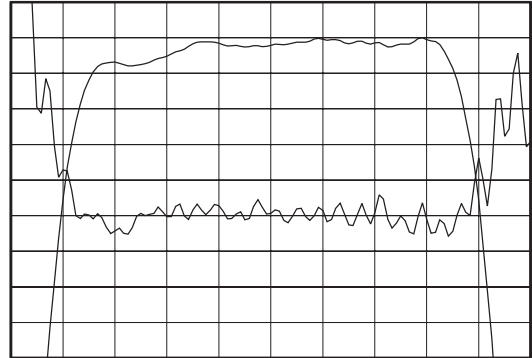


# Data Sheet

## Typical Performance



Horizontal: 2 MHz/Div  
 Vertical: 10 dB/Div



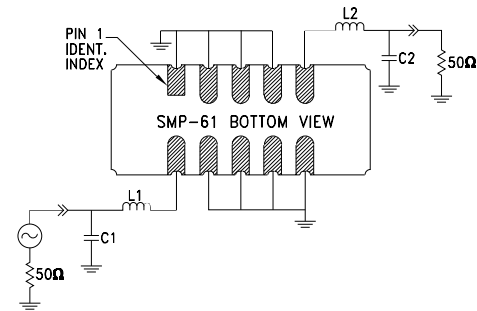
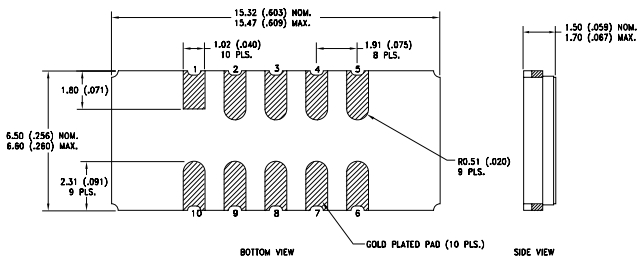
Horizontal: 600 kHz/Div  
 Vertical: 1 dB/Div  
 Vertical: 50 nsec/Div

## Specifications

Parameter	Unit	Minimum	Typical	Maximum
Center Frequency	MHz	-	230	-
Insertion Loss	dB	-	16.2	21
1.3 dB lower Frequency	MHz	-	227.795	228
1.3 dB Upper Frequency	MHz	232	232.081	-
20 dB lower Frequency	MHz	227	227.127	-
20 dB Upper Frequency	MHz	-	232.752	233
40 dB lower Frequency	MHz	225	226.82	-
40 dB Upper Frequency	MHz	-	233.034	235
Delay Variation (228 - 232 MHz)	nsec	-	48.5	100
Rejection: 120 - 220 MHz	dB	45	60.9	-
Rejection: 220 - 225 MHz	dB	40	48.2	-
Rejection: 225 - 227 MHz	dB	20	28.4	-
Rejection: 233 - 235 MHz	dB	20	37.7	-
Rejection: 235 - 240 MHz	dB	40	51.1	-
Rejection: 240 - 340 MHz	dB	45	58.8	-
Substrate Material	-	-	Quartz	-
Operating Temperature Range	°C	0	25	70

**Package Outline**
**Matching Configuration**

Specifications subject to change or obsolescence without notice



L1 = 39 nH , L2 = 47 nH  
 C1 = 47 pf , C2 = 39 pf  
 Nominal Source/Load Impedance = 50 Ω  
 Package Style SMP-61C

2/01/01